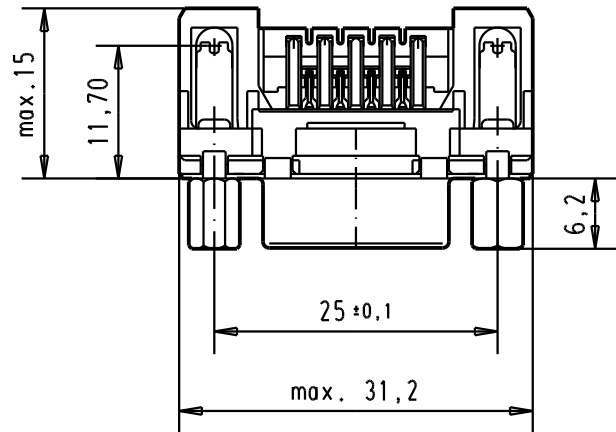
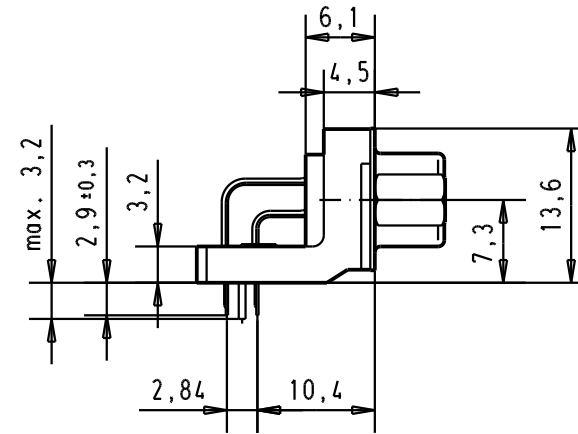
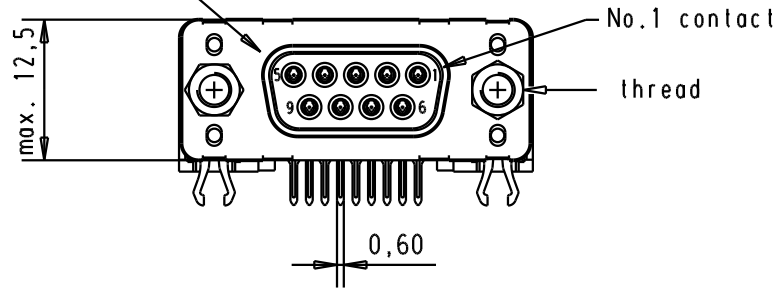
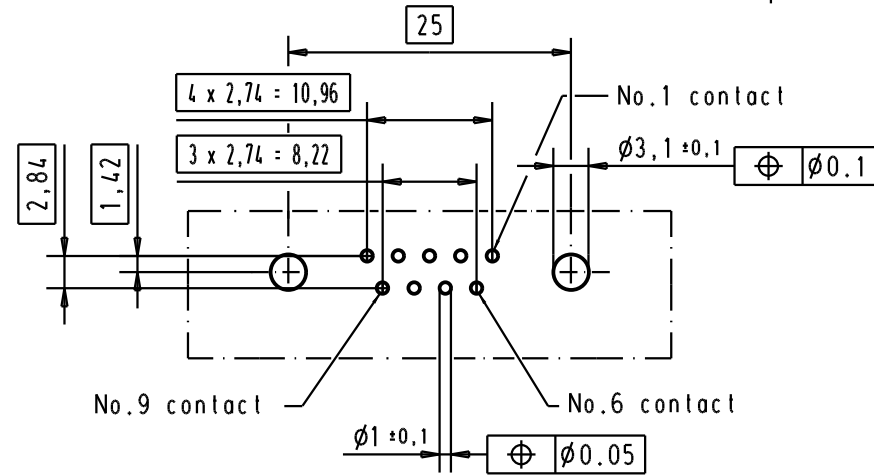




Mating face according to : MIL-C-24308 / DIN 41652 / CECC 75301-802



PCB layout hole component side



Connector retention and insertion forces on the PCB = 25 / 80 newtons

A	Part number		Screw lock thread		Performance level		Mod.		Dat.		Name		 All Dim. in mm Orig. Size DIN A 4	D-Sub 09 poles standard angle female, solder pin with screw lock and grounding board lock.	Maßstab/ Scale 1.5:1
	09 66 153 3633	M3	1												
	09 66 153 6633	M3	2												
	09 66 153 7633	M3	3												
	09 66 153 3613	4-40 UNC	1												
	09 66 153 6613	4-40 UNC	2	31892	05/05/04	JH									
	09 66 153 7613	4-40 UNC	3	31084	04/SEP/02	YT									
	Part number	Screw lock thread	Performance level	Mod.	Dat.	Name	HARTING EURL F-95972 Paris				TB 0966153x6x3		Sub.	1	

Mouser Electronics

Authorized Distributor

Click to View Pricing, Inventory, Delivery & Lifecycle Information:

[HARTING:](#)

[09661537613](#) [09661536613](#)