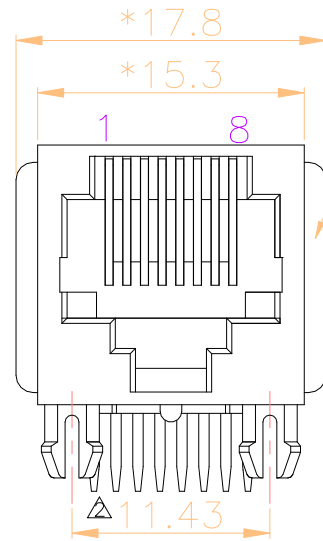
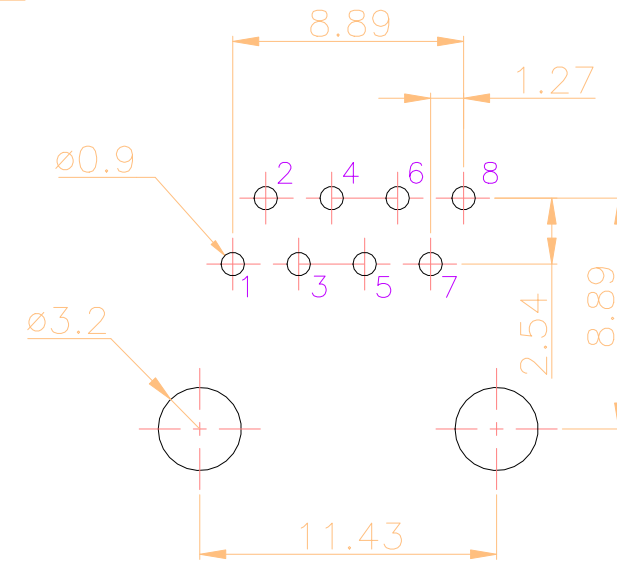
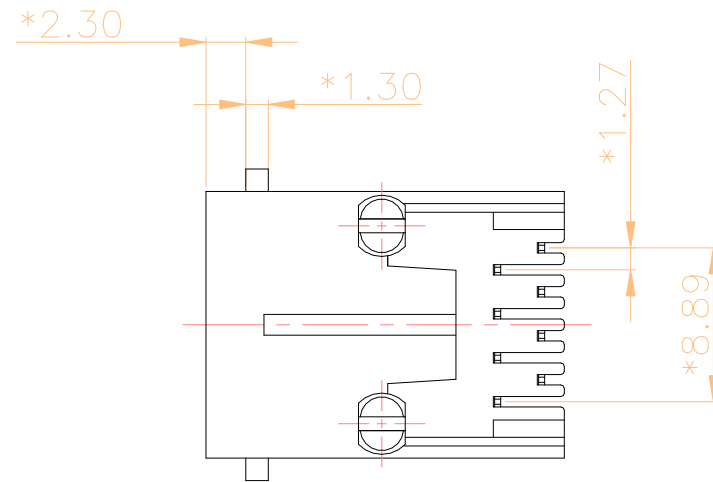
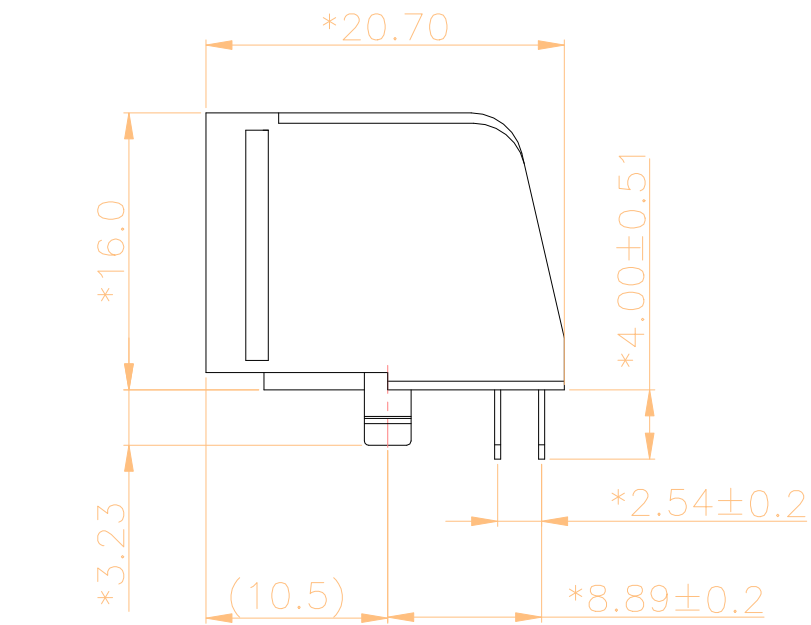


RoHS

THIS IS A RoHS COMPLIANT COMPONENT/PRODUCT.



OPTION



PCB LAYOUT COMPONENT SIDE SHOWN PCB FOR T=1.60MM

NOTES:

ELECTRICAL:

- 1. VOLTAGE RATING : 125 VAC.
- 2. CURRENT RATING : 15 AMP.
- 3. CONTACT RESISTANCE : 50 MILLIOHMS MAX.
- 4. INSULATION RESISTANCE : 1000 MEGAOHMS MIN. @ 500 VDC.
- 5. DIELECTRIC STRENGTH : 1000 VAC 60HZ, 1 MIN.

MECHANICAL:

- 1. HOUSING MATERIAL : HIGH TEMP UL94V-0.
- 2. CONTACT MATERIAL : PHOSPHOR BRONZE T=0.35MM.
- 3. PLATING : 1. CONTACT AREA - SELECTIVE GOLD PLATING.  
2. TAILS - TIN PLATING OVER NICKEL.
- 4. OPERATING LIFE : 750 CYCLES MIN.
- 5. PCB RETENTION PRE-SOLDER : 1 LB MIN.
- 6. PCB RETENTION POST-SOLDER : 10 LBS MIN.

ENVIRONMENTAL:

- 1. STORAGE : -40°C TO +85°C.
- 2. OPERATION : -40°C TO +85°C.

MATES WITH MODULAR PLUG CONFORMING TO FCC PART 68, SUBPART F.

ORDERING INFORMATION:

PART NUMBER	PRODUCT CODE	CONFIGURATION
3257-0012-01	RJJU-88-123-E7V-012	6U" GOLD PLATING, WITH PANEL STOPS
3257-0012-02	RJJU-88-124-E7V-012	6U" GOLD PLATING, WITHOUT PANEL STOPS
3257-0012-03	RJJU-88-143-E7V-012	30U" GOLD PLATING, WITH PANEL STOPS
3257-0012-04	RJJU-88-144-E7V-012	30U" GOLD PLATING, WITHOUT PANEL STOPS

UL RECOGNIZED - FILE #E465899

△X1		UODATE DRAWING(1)	YANG	052809
△X2		UODATE DRAWING(1)	YANG	011209
△X0	0000000	NEW DESIGN	SAIL	030108

MARK	ECN-NO.	REVISION RECORD	DRAWN	DATE
		UNLESS OTHERWISE SPECIFIED TOLERANCE	SCALE	CHECKED
		Dimension Range Tolerance	1:1	
		X.X ±0.20	UNIT	APPROVED
		X.XX ±0.15	mm	
		X.XXX ±0.10	SIZE	A3
		ANGLE ±5°		SHEET 1/1
Material/Plated/Notes		NAME		
SEE NOTE		SIDE ENTRY PCB JACK 8P8C		
Tooling No.		PART NO.	SEE NOTE	REV. 2
		DOC. NO.		