

RoHS

THIS IS A RoHS COMPLIANT COMPONENT/PRODUCT.

NOTES:

ELECTRICAL:

1. VOLTAGE RATING : 125 VAC.
2. CURRENT RATING : 1.5 AMP.
3. CONTACT RESISTANCE : 30 MILLIOHMS MAX.
4. INSULATION RESISTANCE: 1000 MEGOHMS MIN. @ 500 VDC.
5. DIELECTRIC STRENGTH : 1000 VAC 60Hz, 1MIN.
- △ 6. OPERATING: 1500 CYCLES MIN.

MECHANICAL:

1. HOUSING MATERIAL : HIGH TEMP. UL94V-0.
2. CONTACT MATERIAL : PHOSPHOR BRONZE t=0.35 mm.
3. PLATING : GOLD PLATING OVER NICKEL.
4. PCB RETENTION PRE-SOLDER : 1 LB MIN.
5. PCB RETENTION POST-SOLDER: 10 LBS MIN.

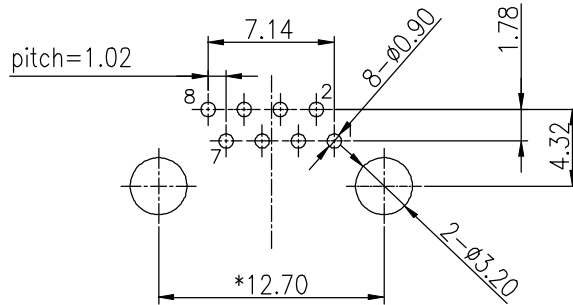
ENVIRONMENTAL:

1. STORAGE : -40°C TO +85°C.
 2. OPERATION: : -40°C TO +85°C.
 3. WAVE SOLDERING TEMPERATURE: 255~265°C (5~10 SECONDS)
- △△MATES WITH MODULAR PLUG CONFORMING TO TIA-1096-A.

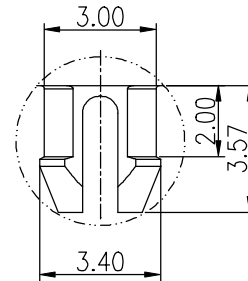
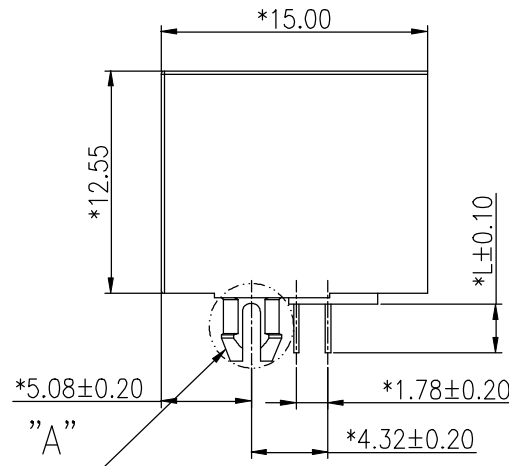
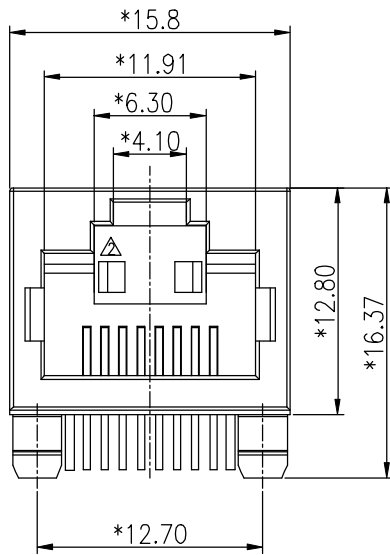
ORDERING INFORMATION:

PART NUMBER	PRODUCT CODE	CONFIGURATION
3260-0029-01	RJJU-88-12I-EJH-142	6U GOLD PLATING, L=2.75
3260-0029-02	RJJU-88-126-EJH-142	6U GOLD PLATING, L=3.50
3260-0029-03	RJJU-88-14I-EJH-142	30U GOLD PLATING, L=2.75
3260-0029-04	RJJU-88-146-EJH-142	30U GOLD PLATING, L=3.50

 UL RECOGNIZED - FILE #E465899



PCB Layout
Component Side Shown



DETAIL "A"
SCALE 2:1

△ X2		ADD NEW P/N	DORIS	050615'
△ X1		ADD PEG DIM.	DORIS	121914'
△ X1		ADD NEW P/N	KARL	010313'
△ X1		ADD NEW P/N	KARL	121213'
△ X2		ADD NEW P/N	ROCK	121812'
△ X4		ADD NEW P/N	ROCK	080712'
△ X1		ADD NEW P/N	DORIS	082511'
△ X0	0069000	NEW DESIGN	Andrew	050611

MARK	ECN-NO.	REVISION RECORD	DRAWN	DATE

Material/Plated/Notes	UNLESS OTHERWISE SPECIFIED TOLERANCE		SCALE	CHECKED
	Dimension Range	Tolerance		
SEE NOTE	X.X	±0.20	1/1	APPROVED
	X.XX	±0.15		
	X.XXX	±0.10		
	ANGLE	±5°		
NAME	1X1 RJ45 JACK, UTP			
Tooling No.	PART NO.	SEE NOTE	REV.	
	DOC. NO.			7