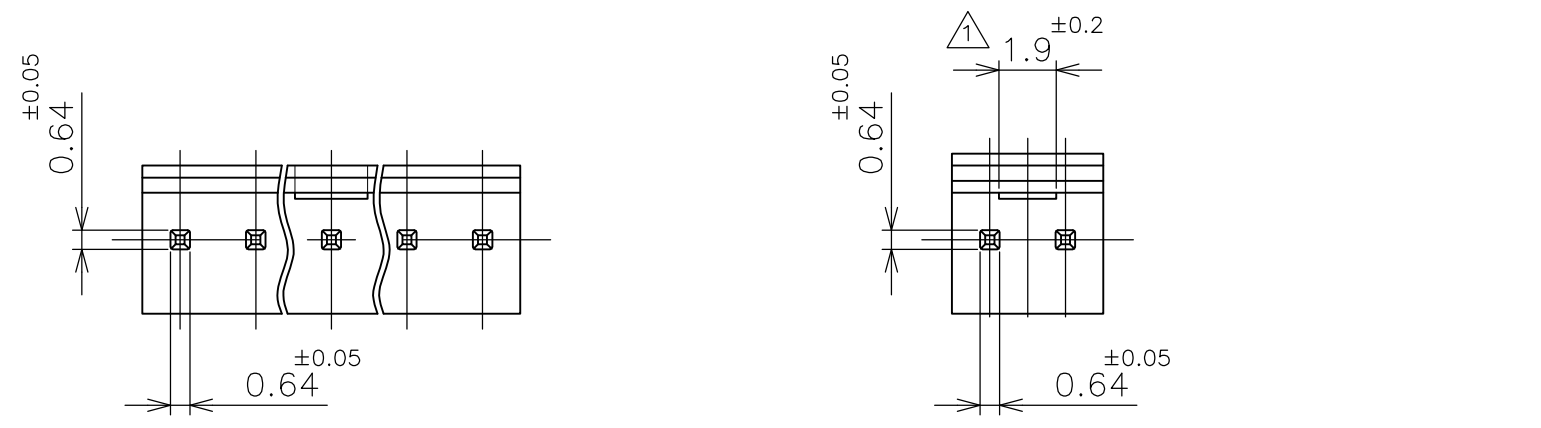


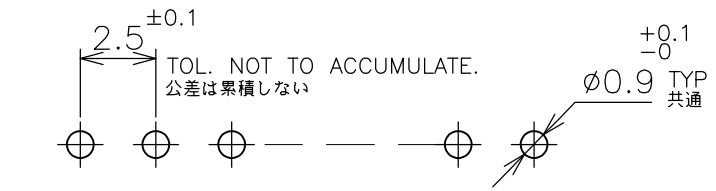
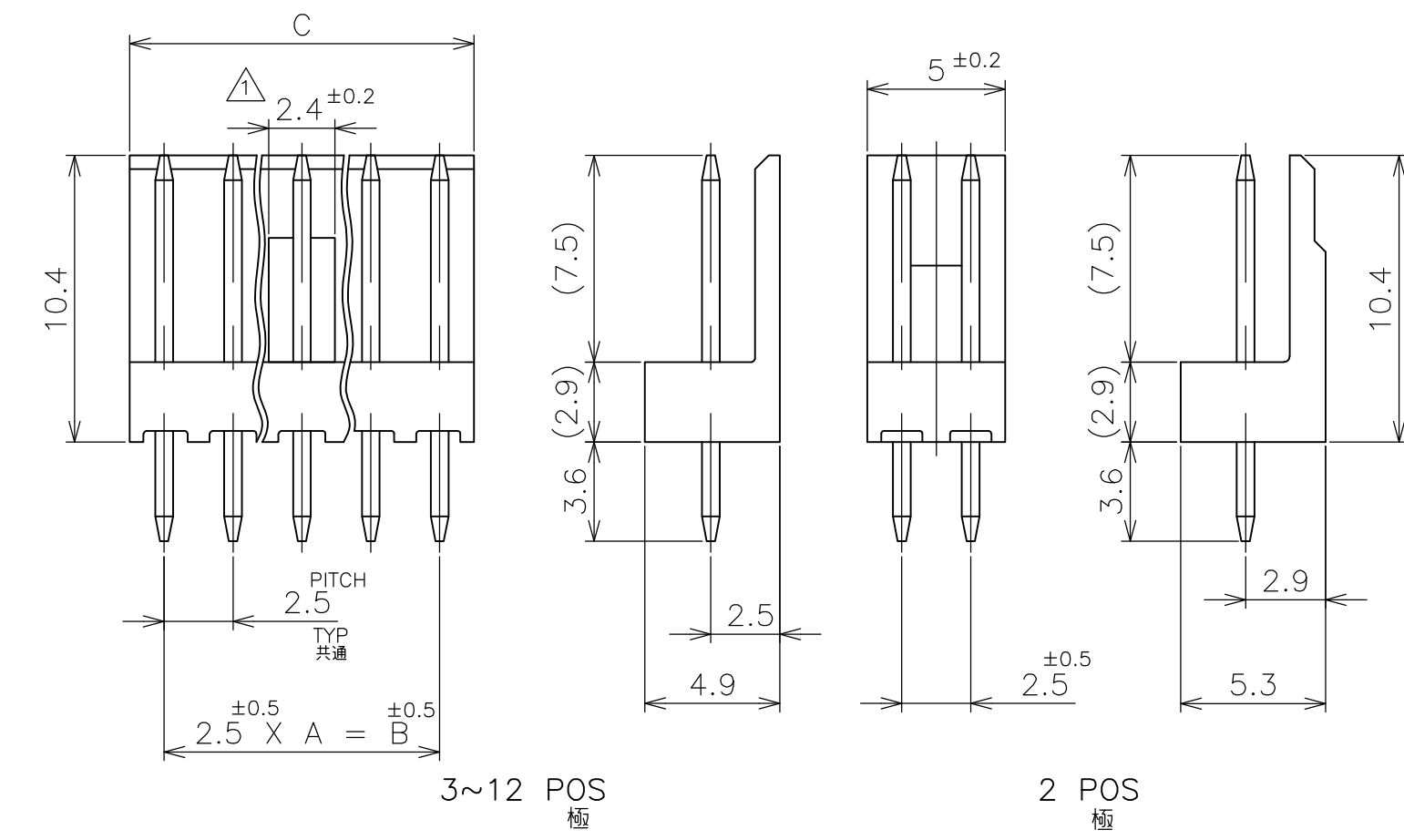
THIS DRAWING IS UNPUBLISHED. RELEASED FOR PUBLICATION MAY, 1987.
 © COPYRIGHT 1977 By - ALL RIGHTS RESERVED.

LOC	DIST	REVISIONS					
		P	LTR	DESCRIPTION	DATE	DWN	APVD
J	-		Y1	REVISED PER ECO-11-005030	11MAR11	RK	HMR



① LOCKING HOLE IS PLACED ON THE CENTER OF POST HEADER.
 ② MANUFACTURED BY AMP-BRASIL ONLY

① ロッキング凹部位置は長手方向の中央。
 ② AMP-ブラジル製造品 (AMP-J非製造品)



RECOMMENDED BOARD LAYOUT (1.6 THK)
 取付基板寸法 (基板厚 1.6t)

37.5	35.0	14	15	9-171825-5	7-171825-5	5-171825-5	3-171825-5	1-171825-5
32.5	30.0	12	13	9- ↑ -3	7- ↑ -3	5- ↑ -3	3- ↑ -3	1- ↑ -3
27.5	25.0	10	11	9- -1	7- -1	5- -1	3- -1	1- -1
30.0	27.5	11	12	9- -2	7- -2	5- -2	3- -2	1- -2
25.0	22.5	9	10	9- -0	7- -0	5- -0	3- -0	1- -0
22.5	20.0	8	9	8- -9	6- -9	4- -9	2- -9	-9
20.0	17.5	7	8	8- -8	6- -8	4- -8	2- -8	-8
17.5	15.0	6	7	8- -7	6- -7	4- -7	2- -7	-7
15.0	12.5	5	6	8- -6	6- -6	4- -6	2- -6	-6
12.5	10.0	4	5	8- -5	6- -5	4- -5	2- -5	-5
10.0	7.5	3	4	8- -4	6- -4	4- -4	2- -4	-4
7.5	5.0	2	3	8- -3	6- -3	4- -3	2- -3	-3
図示		—	2	8-171825-2	6-171825-2	4-171825-2	2-171825-2	171825-2
±0.2 C	±0.5 B	A	NO OF POS 極数	RED 赤色	GREEN 緑色	BLUE 青色	BLACK 黒色	NATURAL 自然色
				PART NUMBER 型番				

THIS DRAWING IS A CONTROLLED DOCUMENT.

DWN	T.DOI	14MAY77
CHK	H.TAGUCHI	14MAY77
APVD	H.TAGUCHI	14MAY77
NAME 名称		
PRODUCT SPEC 製品規格		
APPLICATION SPEC 取付適用規格		
WEIGHT		

STE TE Connectivity

POST HEADER ASSY (VERTICAL)
 AMP EI SERIES CONNECTOR

SIZE	CAGE CODE	DRAWING NO	RESTRICTED TO
A3	00779	C-171825	-

CUSTOMER DRAWING

SCALE 尺度 4:1 SHEET 1 OF 1 REV Y1