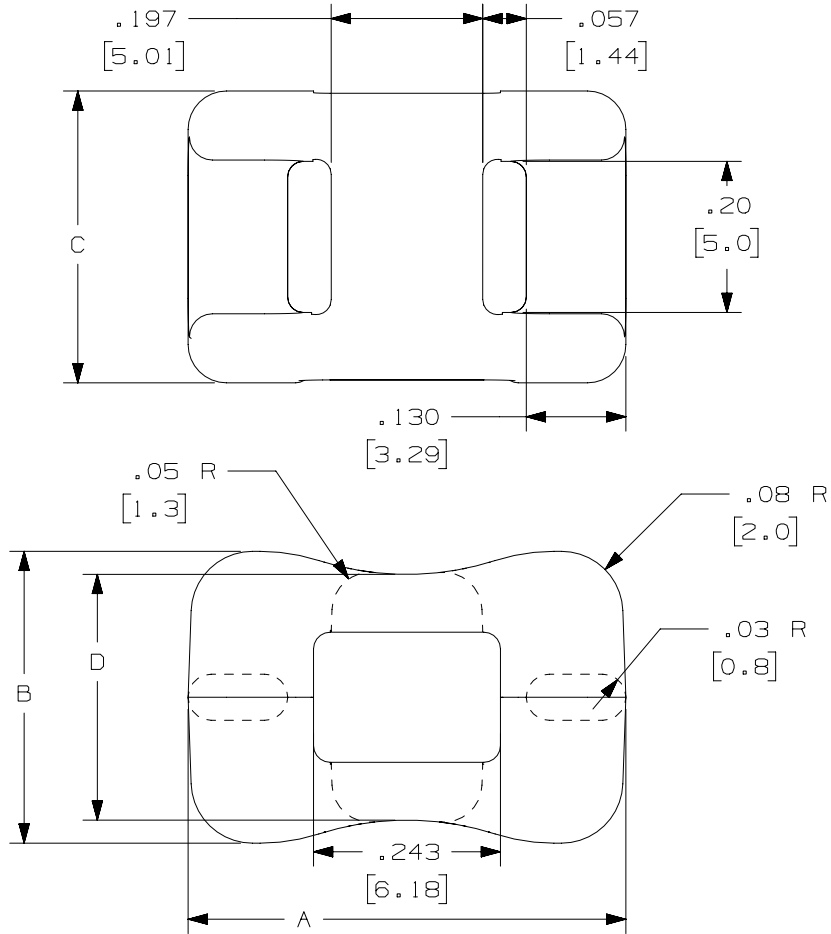
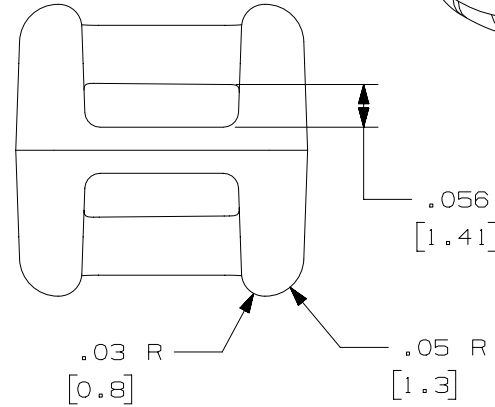
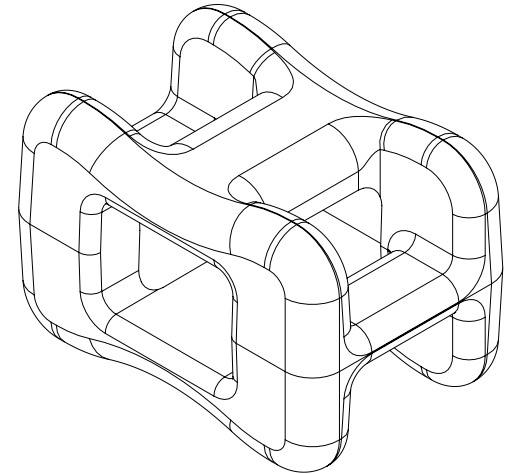


THIS COPY IS PROVIDED ON A RESTRICTED BASIS AND IS NOT TO BE USED IN ANY WAY DETRIMENTAL TO THE INTERESTS OF PANDUIT CORP.



PANDUIT PART NO.	A in (mm)	B in (mm)	C in (mm)	D in (mm)	TENSILE STRENGTH lbs. (N)	WEIGHT lbs. (g)/100pcs.
CSMS-D71	.570 (14.48)	.38 (9.7)	.38 (9.7)	.320 (8.13)	50 (222)	.152 (69)



NOTES:

- 1) DIMENSIONS IN [] ARE IN METRIC UNITS
- 2) SEE WWW.PANDUIT.COM FOR PART NUMBER SUFFIX DESIGNATION FOR PACKAGE SIZE AND PART COLOR.
- 3) ALL DIMENSIONS NOT INCLUDED IN TABLE ARE REFERENCE ONLY

REV	DATE	BY	CHK	APR	DESCRIPTION	ECN
03	3/30/17	SMY	DJW	JHAC	CORRECTED TITLE BLOCK	GAECN05058
2	10.28.13	BDK	JADE	RTFI	D. UPDATED TITLE BLOCK AND BORDER C. WEIGHT WAS .155(0.69)	10B012DP-C
01	10/21/11	SHOR	PBC	MJVE	REVISED DIMENSIONAL DETAIL	10B012DP_DC
R	4/4/2011	JADE	MJVE	MJVE	INITIAL RELEASE	10B012DP_DC

TITLE		LIGHTWEIGHT CABLE SPACER	
CUSTOMER DRAWING			
ITEM REVISION NAME		10B012DP/02	
DATASET FILE NAME		10B012DP_DC/02B	
UNLESS OTHERWISE SPECIFIED, DIMENSIONAL TOLERANCES ARE: IN (mm)		MATERIAL:	
.x ± 0.05 (1.3) .xxx ± .010 (0.25)		PEEK	
.xx ± 0.02 (0.5) ANGLES ± 5 °		DRAWING NUMBER:	
THIRD ANGLE PROJECTION		10B012DP_DC	
DRAWN BY	DATE	CHK	SCALE
JADE	4-APR-11	MJVE	4/1
SHT 1 OF 1			SIZE
			A

D10100DA/16

Mouser Electronics

Authorized Distributor

Click to View Pricing, Inventory, Delivery & Lifecycle Information:

[Panduit:](#)

[CSMS-D71](#)