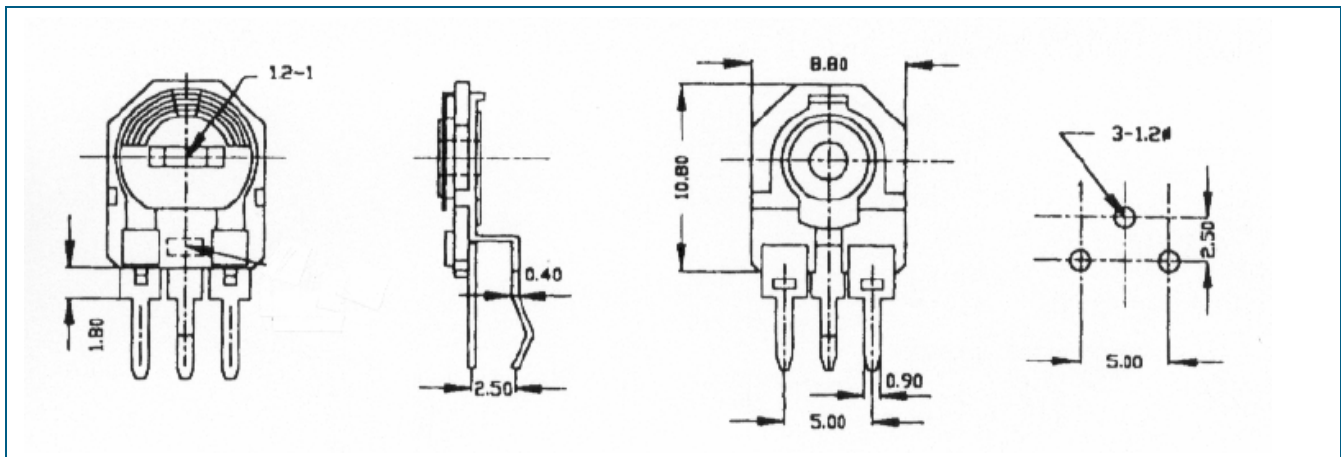


Cermet preset potentiometers

Typ TGN 825 M

Basic design: width 9 mm



Technical data

Resistance value and tolerance	100 Ω – 1 M Ω \pm 20 %	Stopper strength	1.0 K gf-cm
Taper	lin	Operation life	100 cycle resistance value \pm 10 %
Power rating	0.5 W / 70 °C	Temperature characteristics	3 % @ 70 °C 5HR
Max. working voltage	250 V	Temperature coefficient	+ 150 ppm / °C
Residual resistance	10 Ω @ R \pm 1 K Ω , 1% @ R 1 K Ω	Resistance to soldering heat	260 °C 5 sec.
Mech. rotation angle	260 \pm 20 °	Working temperature	- 40 °C – + 125 °C

Mouser Electronics

Authorized Distributor

Click to View Pricing, Inventory, Delivery & Lifecycle Information:

[AVX:](#)

[2002111655](#) [2002111855](#) [2002112255](#)