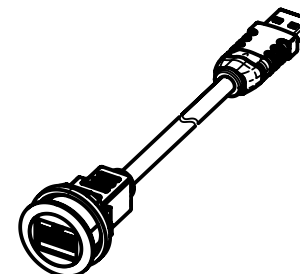
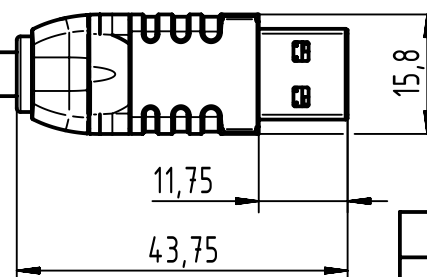
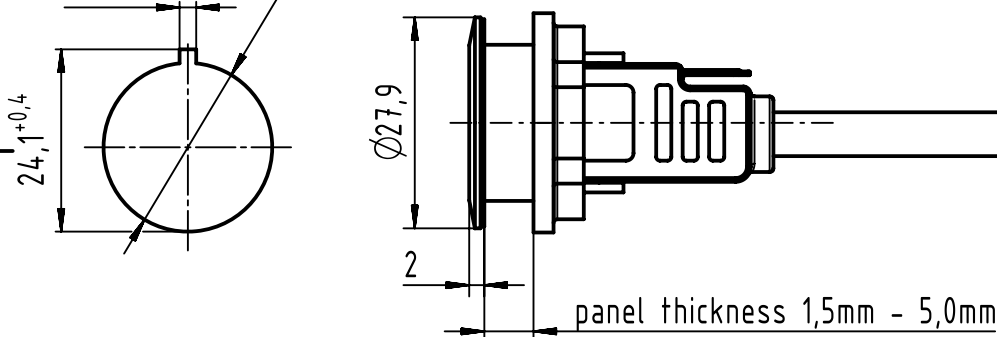
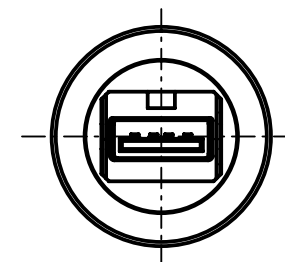
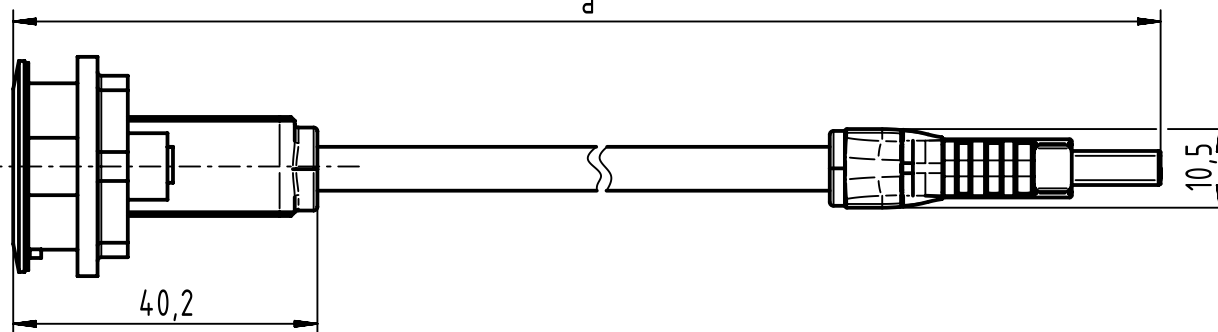
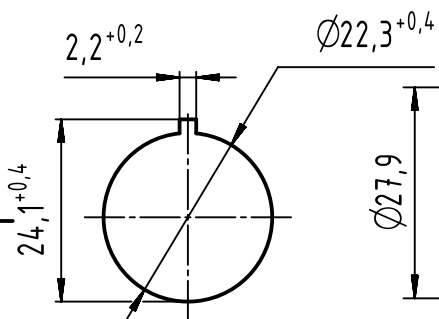
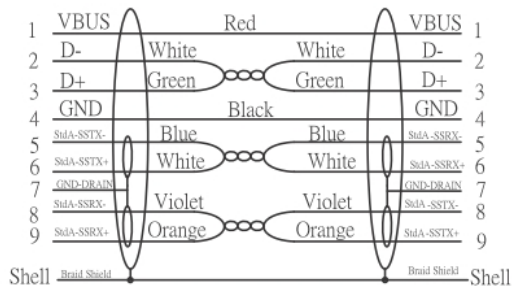


PANEL CUT DIMENSIONS



WIRING DIAGRAM



09 45 452 1934	3,0
09 45 452 1933	2,0
09 45 452 1932	1,5
09 45 452 1931	1,0
09 45 452 1930	0,5
Part number	a [m]

	All Dimensions in mm Original Size DIN A4	Scale 1:1	Free size tol. ISO 2768 mH	Ref.		
				Sub. TB 0945452193X / 500000091377 / 2015-07-10		
	All rights reserved Department EC PD - RO	Created by TAMAS	Inspected by AVRAM	Standardisation HOFFMANN	Date 2016-11-25	State Final Release
		Title har-port USB 3.0 A-A PFT silver cable				Doc-Key / ECM-Nr. 100629372/UGD/000/C 500000111080
HARTING Electronics GmbH D-32339 Espelkamp		Type TB	Number 0945452193X		Rev. C	Page 1/1

Mouser Electronics

Authorized Distributor

Click to View Pricing, Inventory, Delivery & Lifecycle Information:

[HARTING:](#)

[09454521930](#) [09454521931](#) [09454521933](#) [09454521932](#) [09454521934](#)