

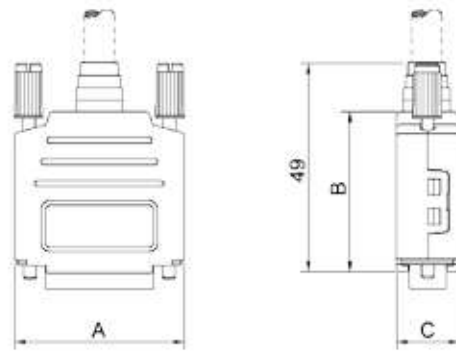
**TECHNICAL SPECIFICATIONS**

**D-Sub Hood:**

Material: UL Recognised Plastic Material  
 Plating: Nickel over Copper  
 Operating Temperature: -55°C to +105°C  
 Cable Entry: Top  
 Thumbscrews: UNC 4-40 (Standard)  
 Cable O.D: Up to 11,5mm

**Male D-Sub Solder Cup:**

Insulator: PBT, Black, UL94 V-0  
 Shell: Steel, Tin Plated  
 Contact pins: Copper Alloy  
 Stamped & Formed Pins: Class 3, 100 inserts min.  
 Machined Contact Pins: Class 1, 500 inserts min.  
 Contact Plating: Selective Gold over Nickel  
 Operating Temperature: -55°C to +105°C  
 Withstanding voltage: 1000V for 1 minute  
 Insulator resistance: 1000MΩ min.



D-Sub-Hood

**Features:**

- Available in sizes 9, 15, 25 and 37-way
- Suitable for any common Sub-D Connector
- Quick-Snap locking system
- Re-openable
- Recyclable

| Size DPPK-M | Dim A | Dim B | Dim C |
|-------------|-------|-------|-------|
| 9-way       | 32,5  | 38,0  | 15,0  |
| 15-way      | 41,0  | 38,0  | 15,0  |
| 25-way      | 54,5  | 40,0  | 15,0  |
| 37-way      | 71,0  | 40,0  | 15,0  |

**Ordering information:**

*Class 3 D-Sub Connector Kits (100 inserts min.)*

| Size:  | P/N - Kitted: | Product Code - MALE Conn. Kit |
|--------|---------------|-------------------------------|
| 9-way  | 6355-0004-01  | DPPK09-M-DBP-K                |
| 15-way | 6355-0004-02  | DPPK15-M-DBP-K                |
| 25-way | 6355-0004-03  | DPPK25-M-DBP-K                |
| 37-way | 6355-0004-04  | DPPK37-M-DBP-K                |

**Ordering information:**

*Class 1 D-Sub Connector Kits (500 inserts min.)*

| Size:  | P/N - Kitted: | Product Code - MALE Conn. Kit |
|--------|---------------|-------------------------------|
| 9-way  | 6355-0004-21  | DPPK09-M-DMP-K                |
| 15-way | 6355-0004-22  | DPPK15-M-DMP-K                |
| 25-way | 6355-0004-23  | DPPK25-M-DMP-K                |
| 37-way | 6355-0004-24  | DPPK37-M-DMP-K                |