

## TECHNICAL SPECIFICATIONS

**D-Sub Hood:**

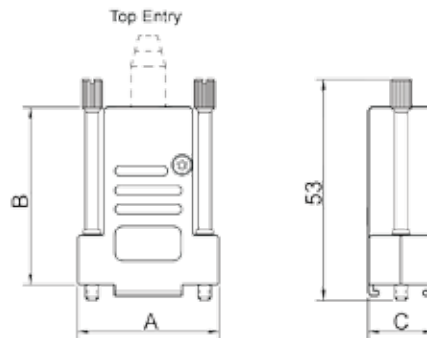
Material:	Zinc, Nickel Plated
Operating Temperature:	-40°C to +120°C
Cable Entry:	Top Entry Rubber Grommet RGS
Strain relief:	Clamp + Insert
Thumbscrews:	<b>Long Jackscrews</b> UNC 4-40 (Standard) M2,5 or M3 on request
Cable O.D:	Up to 11.5mm

**D-Sub High Density:**

Insulator:	PBT, Black, UL94 V-0
Shell:	Stamped Steel, Tin Plated
Contact pins:	Copper Alloy
Stamped & Formed pins:	100 inserts min
Contacts Plating:	Selective Gold over Nickel
Operating Temperature:	-55°C to +105°C
Withstanding voltage:	500V for 1 minute

**Features:**

- Full Metal D-Sub hood
- Long Jackscrews
- Universal Rubber Grommet
- 360° EMI Shielding
- Quick assembly
- Pre-mounted locking screws
- Supports all types of cables
- Suitable for any common D-Sub connector
- Available in Sizes 9-15-25-37



D-Sub-Hood

Size DTSL	Dim A	Dim B	Dim C
9-way	32,2	42,0	15,0
15-way	40,8	42,3	15,0
25-way	54,0	42,3	15,0
37-way	70,5	48,0	15,0

**Ordering information:****D-Sub Connector Kits (100 inserts min.)**

Size:	P/N - Kitted:	Product Code - MALE Conn. Kit
HD 15	6355-0041-01	DTSL09-LJSRG-T-HDP15-K
HD 26	6355-0041-02	DTSL15-LJSRG-T-HDP26-K
HD 44	6355-0041-03	DTSL25-LJSRG-T-HDP44-K
HD 62	6355-0041-04	DTSL37-LJSRG-T-HDP62-K

Size:	P/N - Kitted:	Product Code - FEMALE Conn. Kit
HD 15	6355-0041-11	DTSL09-LJSRG-T-HDS15-K
HD 26	6355-0041-12	DTSL15-LJSRG-T-HDS26-K
HD 44	6355-0041-13	DTSL25-LJSRG-T-HDS44-K
HD 62	6355-0041-14	DTSL37-LJSRG-T-HDS62-K

