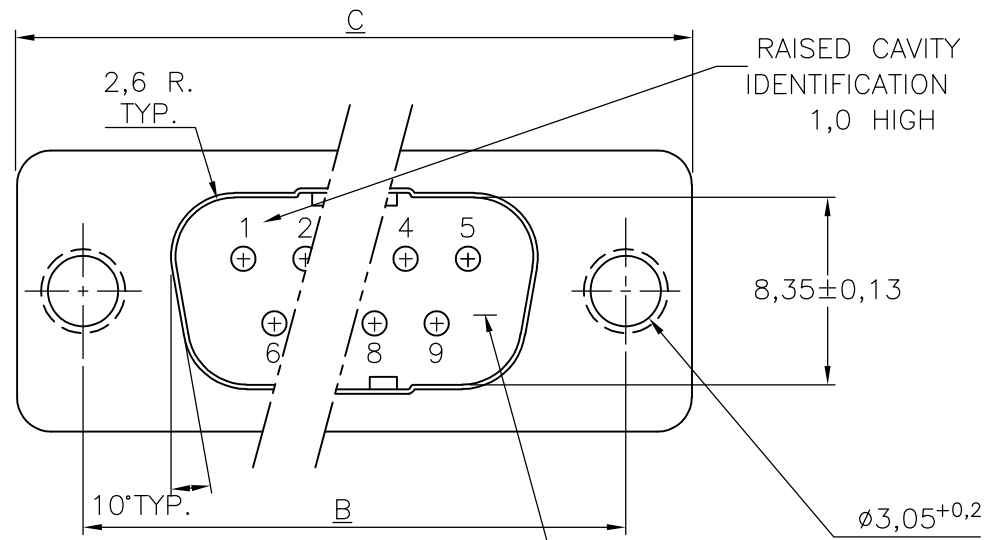


THIS DRAWING IS UNPUBLISHED. RELEASED FOR PUBLICATION
 © COPYRIGHT - By - ALL RIGHTS RESERVED.

LOC	DIST	REVISIONS			
P	LTR	DESCRIPTION	DATE	DWN	APVD
H	-	M2	REVISED PER ECO-11-005294	05APR11	RK HMR



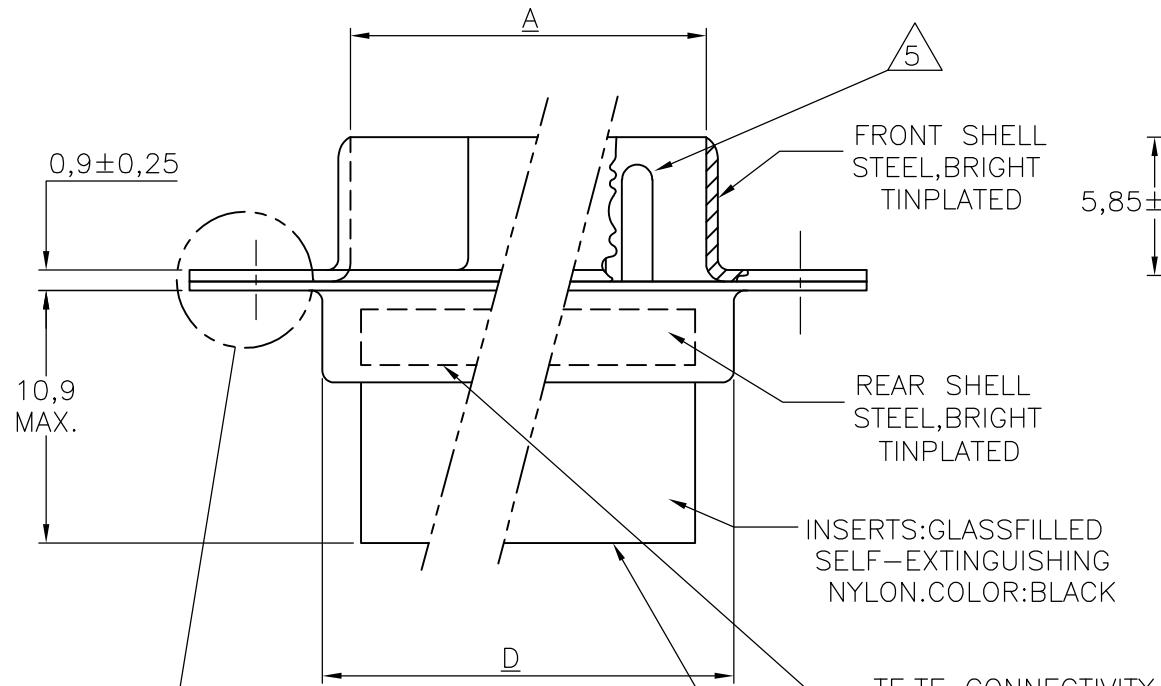
SIZE 1 THRU 4
CONFIGURATION

MATING FACE

NOTES:

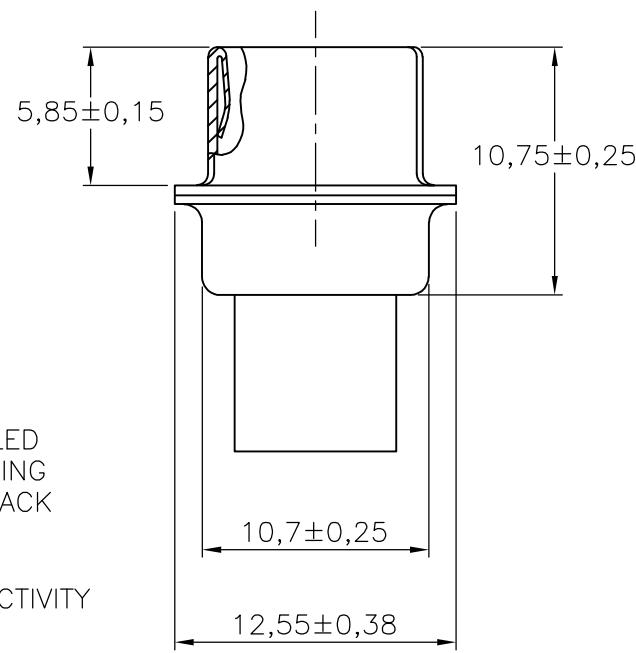
- THIS PLUG ACCEPTS SIZE 20 PIN CONTACTS.
- MAXIMUM WIRE INSULATION RECOMMENDED FOR USE WITH THIS PLUG IS 1,73 DIA. MAX..
- RETENTION TINES ARE AN INTEGRAL PART OF INSERT.
- FOLLOWING INSERTION/REMOVAL TOOLS ARE RECOMMENDED FOR USE WITH THESE CONNECTORS:

32-28AWG/28-24AWG CONT's	24-20AWG CONTACTS
91067-3 INSERTION/REMOVAL	91067-2 INSERTION/REMOVAL
726363-1 INSERTION ONLY	726363-1 INSERTION ONLY
	726364-1 REMOVAL ONLY
- CONTACTS SHOWN FOR ILLUSTRATION ONLY, NO PART OF CONNECTOR PACKAGE ;MUST BE ORDERED SEPARATELY.
- RAISED CAVITY IDENTIFICATION NUMBERS ON WIRE SIDE ARE WHITENED FOR -9 P/N'S.



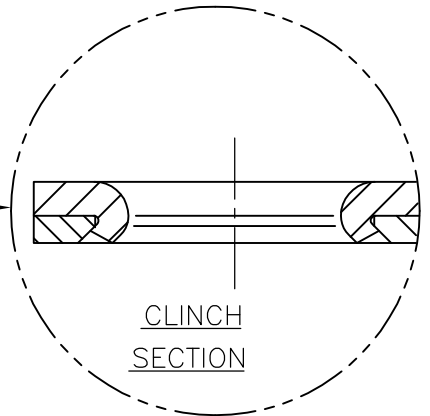
TE,TE CONNECTIVITY
PARTNUMBER,
DATE CODE
INK STAMPED

RAISED CAVITY IDENTIFICATION.



D	C	B	A	NR.OF POS	SIZE	ORDER NUMBER
55,3	66,9	61,1	52,9	50	5	167296-9 167296-1
57,7	69,3	63,5	55,4	37	4	167295-9 167295-1
41,3	53,0	47,0	39,0	25	3	167294-9 167294-1
27,5	39,1	33,3	25,3	15	2	167293-9 167293-1
19,3	30,8	25,0	16,9	9	1	167292-9 167292-1
±0,25	±0,38	±0,13	±0,13			

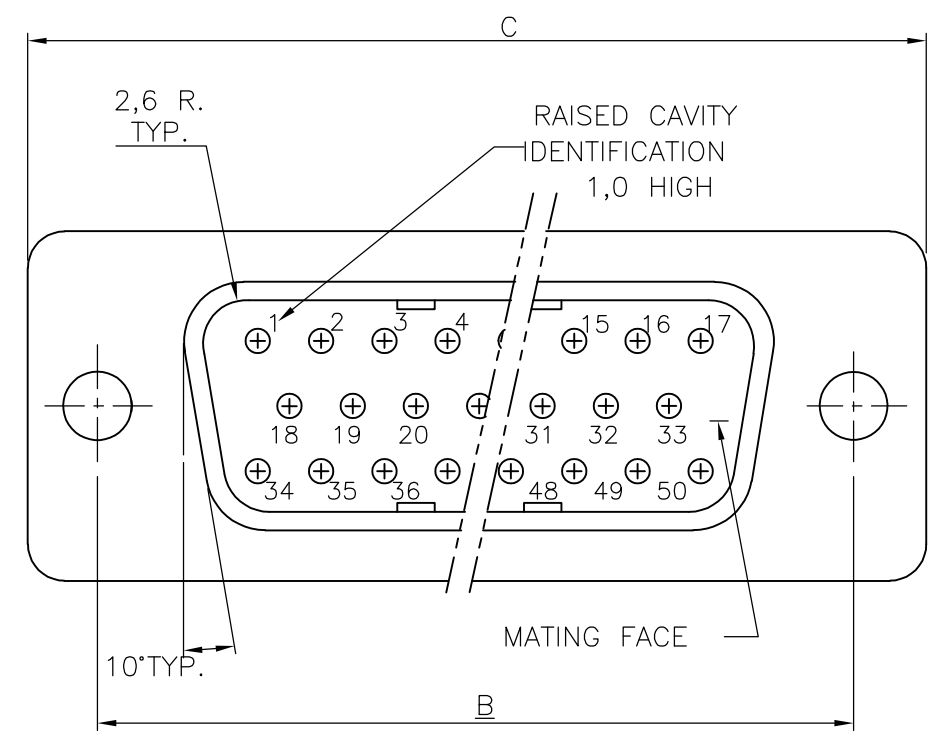
FOR DETAILS SIZE 5, SEE SHEET 2.



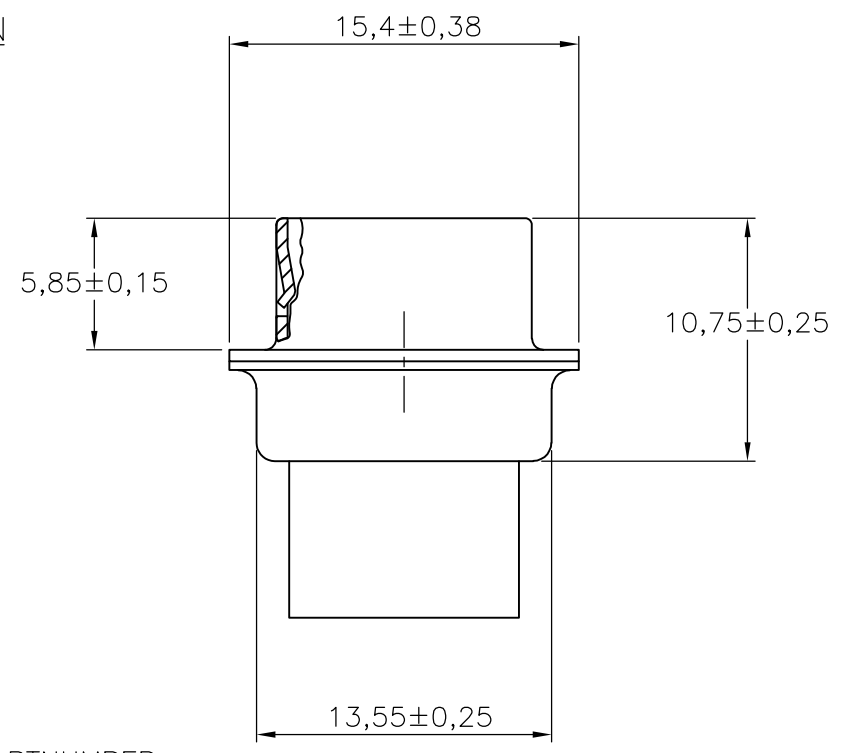
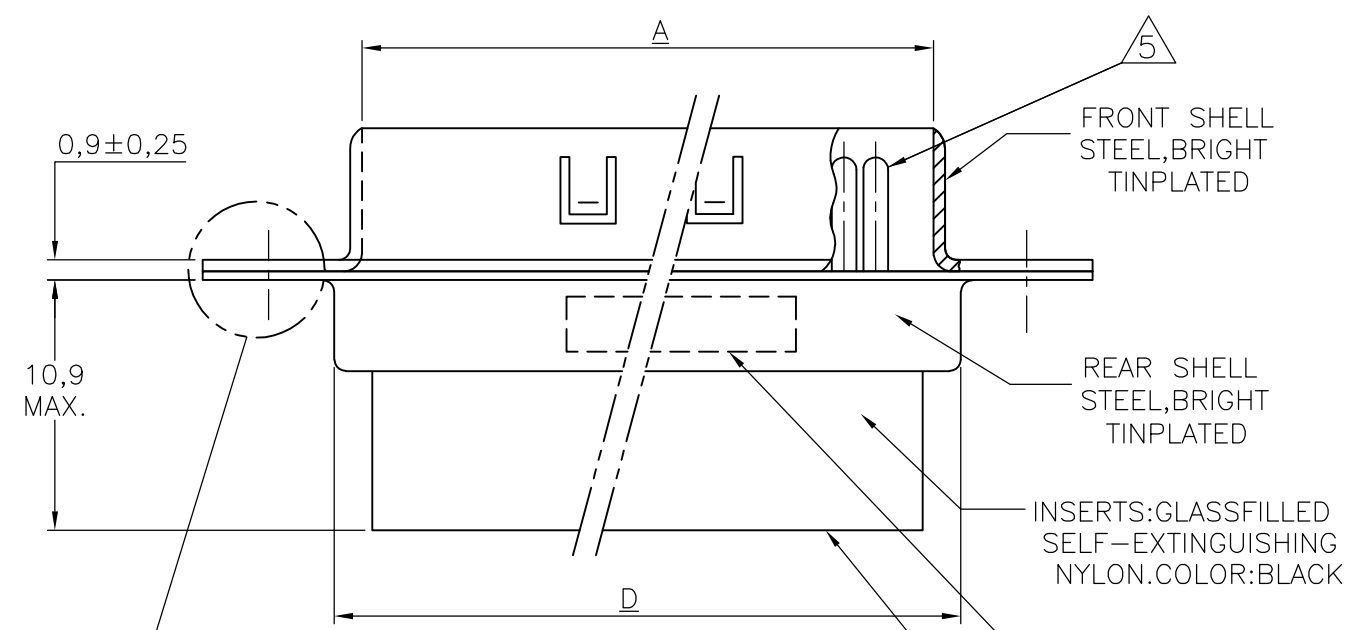
THIS DRAWING IS A CONTROLLED DOCUMENT.		DWN B.MOOIJ 20NOV87	STE TE Connectivity			
DIMENSIONS: mm		CHK -				
TOLERANCES UNLESS OTHERWISE SPECIFIED:		APVD -	NAME HDP-20 PLUG CONNECTOR, SIZE 1-4			
0 PLC ± -		PRODUCT SPEC -				
1 PLC ± 0,2		APPLICATION SPEC -	SIZE	CAGE CODE	DRAWING NO	RESTRICTED TO
2 PLC ± -		WEIGHT -	A3	00779	C-167292	-
3 PLC ± -		CUSTOMER DRAWING				
4 PLC ± -		SCALE	SHEET	REV		
ANGLES ± 2'		NTS	1 OF 2	M2		
MATERIAL -						
FINISH -						

THIS DRAWING IS UNPUBLISHED. RELEASED FOR PUBLICATION
 © COPYRIGHT - By - ALL RIGHTS RESERVED.

LOC	DIST	REVISIONS			
P	LTR	DESCRIPTION	DATE	DWN	APVD
H	-	SEE SHEET 1	-	-	-

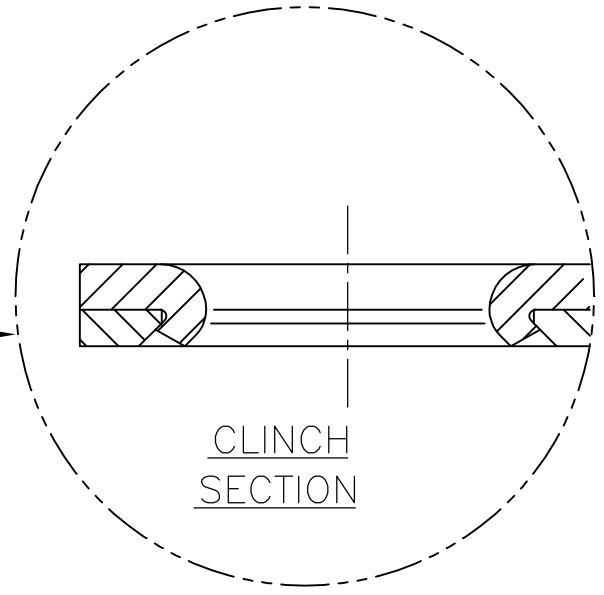


SIZE 5
CONFIGURATION



TE, TE CONNECTIVITY PARTNUMBER, DATE CODE INK STAMPED

RAISED CAVITY IDENTIFICATION. 6



THIS DRAWING IS A CONTROLLED DOCUMENT.		DWN B.MOOIJ 20NOV87	TE Connectivity		
DIMENSIONS: mm		CHK -			
TOLERANCES UNLESS OTHERWISE SPECIFIED:		APVD -	HDP-20 PLUG CONNECTOR, SIZE 5		
0 PLC ± -		PRODUCT SPEC -	SIZE		
1 PLC ± 0,2		APPLICATION SPEC -	CAGE CODE	DRAWING NO	RESTRICTED TO
2 PLC ± -		WEIGHT -	A3	00779	C-167292
3 PLC ± -		CUSTOMER DRAWING	SCALE	SHEET	REV
4 PLC ± -			NTS	2 OF 2	M2
ANGLES ± 2'					
FINISH -					