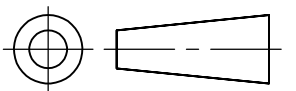


DO NOT SCALE

DIMENSIONS IN mm

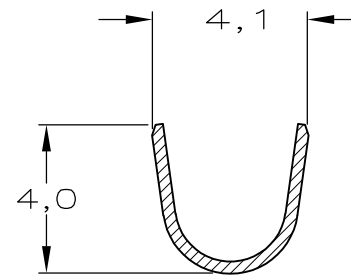
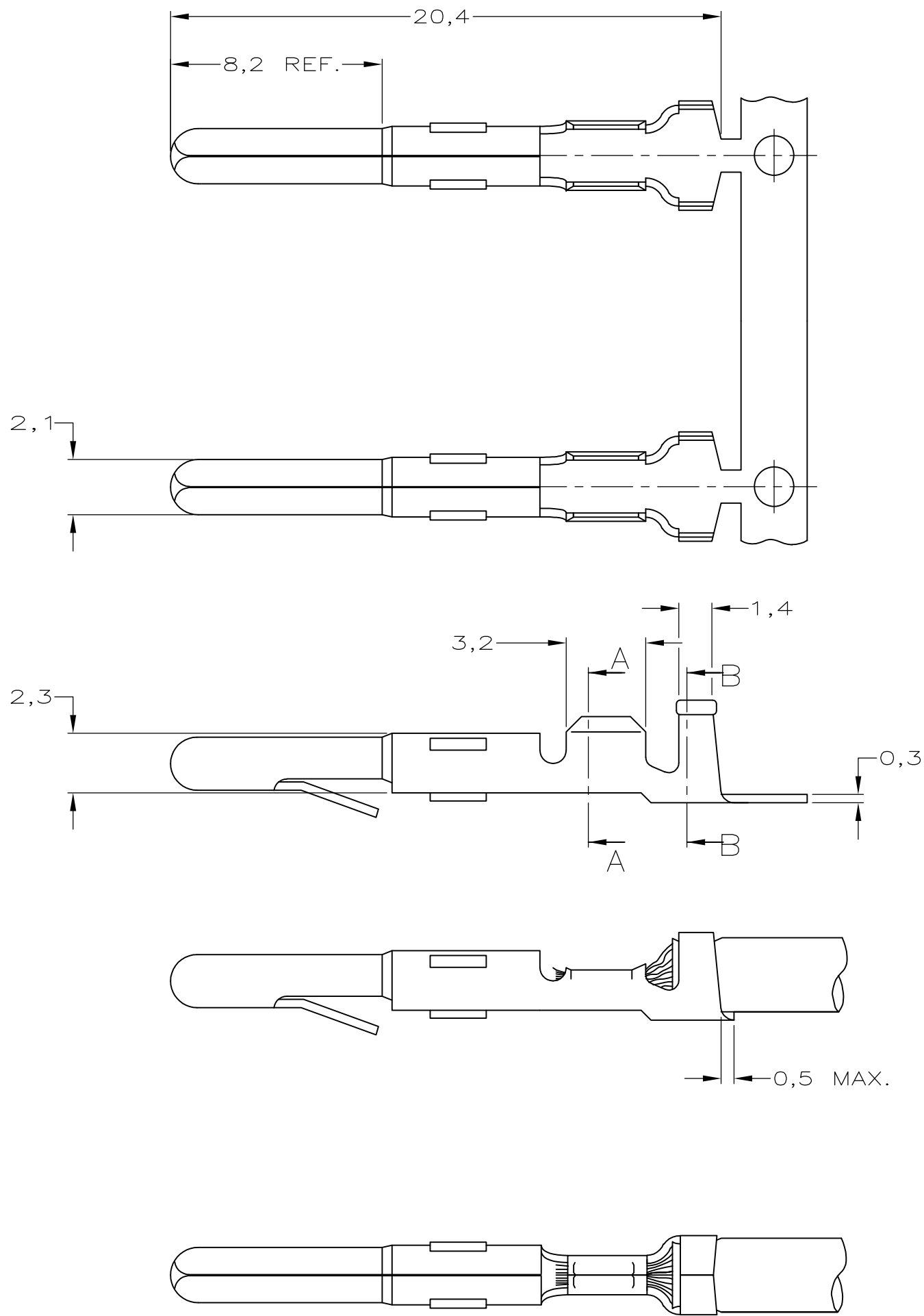
METRIC

THIRD ANGLE PROJECTION

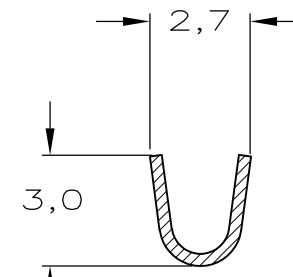


NOTES:

- △1 FOR USE ON STANDARD APPLICATORS.(RIGHT-LEFT FEED)
- △2 FOR USE ON MINIATURE APPLICATORS.(LEFT-RIGHT FEED)
- △3 FOR USE ON MINIATURE APPLICATORS, AMP O-MATOR APPLICATION.(LEFT-RIGHT FEED)
- △4 OBSOLETE PARTS: OBSOLETE CIS STREAMLINING PER D.RENAUD/D.SINISI



SECTION B-B



SECTION A-A

WIRE RANGE :
0,5-1,0mm² AWG
INSULATION RANGE :
1,8-3,3mm DIA.

OBSOLETE	△	PLATING	PLATING	MATERIAL	PARTNUMBER
	△2	SEL. GOLD	-	-	8-163301-3
△4	△3			BRASS	1-163301-7
	△2	NICKEL		BRASS	1-163301-2
	△1	NICKEL		BRASS	1-163301-1
	△2	PRE-TINPLATED		PHOSPHOR BR.	163301-8
△4	△2	UNPLATED		PHOSPHOR BR.	163301-7
	△2	PRE-TINPLATED		BRASS	163301-6
△4	△2	UNPLATED		BRASS	163301-5
	△1	PRE-TINPLATED		PHOSPHOR BR.	163301-4
	△1	UNPLATED		PHOSPHOR BR.	163301-3
SUP BY 163301-6	△1	PRE-TINPLATED		BRASS	163301-2
	△1	UNPLATED		BRASS	163301-1

LTR.	REVISION RECORD	DR.	CHK.	DATE
K1	ECO-10-002990	KK	HMR	11FEB10
K	EH-1221-96	JvL	AB	24-10-96
J	H-9701	JvdH	AB	13-04-92

CUSTOMER DRAWING FOR REFERENCE ONLY WILL NOT BE UPDATED
 © COPYRIGHT 19 - BY AMP HOLLAND B.V.
 ALL INTERNATIONAL RIGHTS RESERVED.AMP PRODUCTS MAY BE COVERED BY U.S. AND FOREIGN AND/OR PATENTS PENDING.
 THIS DRAWING IS UNPUBLISHED
 RELEASED FOR PUBLICATION _____,19____



NAME
PIN MATE-N-LOK.

DR.: J.V.D.HEUDEN.	CHK.: A.BIJNEN.	APP.: L.V.SOEST.	DWG.No.	REV.LTR.	SHEET	
DATE: 10-04-92	DATE: -	DATE: -	C-163301	K1	1 OF 1	A3