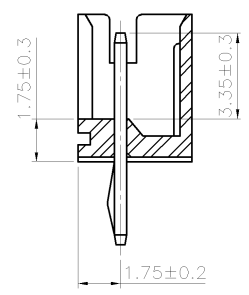
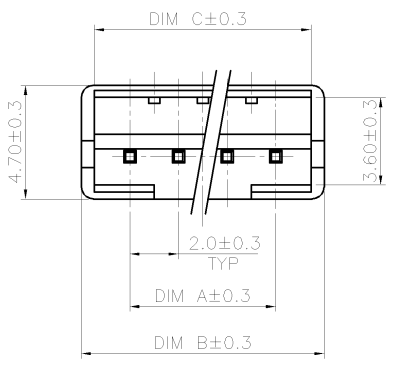


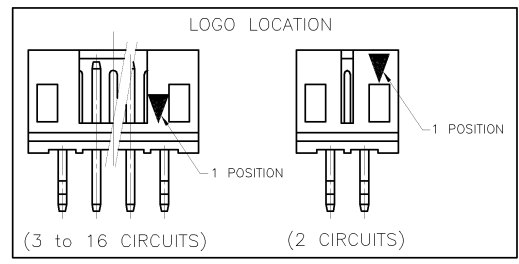
THIS DRAWING IS UNPUBLISHED. RELEASED FOR PUBLICATION AUG ,2006.

© COPYRIGHT 2009 BY TYCO ELECTRONICS CORPORATION. ALL RIGHTS RESERVED.

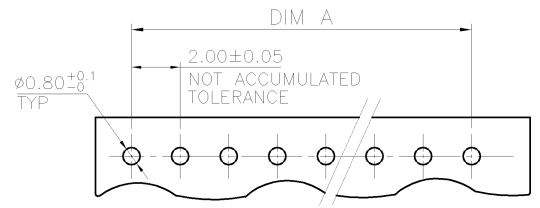
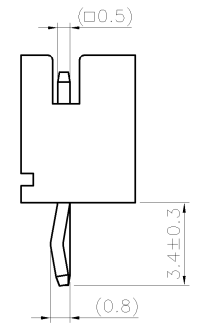
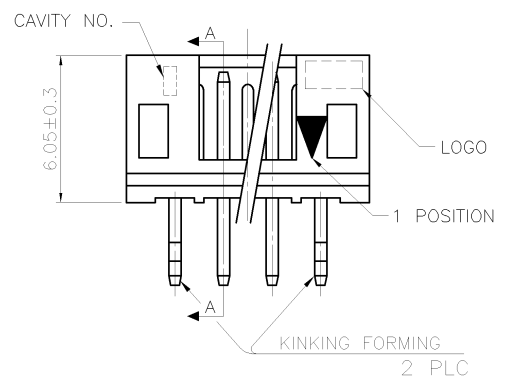
LOC		DIST		REVISIONS					
DW				P	LTR	DESCRIPTION	DATE	DWN	APVD
				E1		REVISED (ECR-11-005810)	21MAR11	JL	WK



SEC. A-A



- NOTES:
 1. MATERIAL:
 HOUSING: NYLON 66, UL94V-0, COLOR: SEE TABLE.
 CONTACT: BRASS, THICKNESS=0.50mm.
 2. FINISH:
 2.03um[80u"] MIN. BRIGHT-TIN PLATING ON CONTACT.
 1.27um[50u"] MIN. NICKEL ENTIRE CONTACT UNDERPLATED.
 3. WAVE SOLDER CAPABLE TO 265°C PER TEST SPEC.
 109-202, CONDITION B.
 4. RAISED TYPE PN: 9-440054-2



RECOMMENDED PCB LAYOUT (PCB THK=1.0~1.6)

PACKAGE	COLOR	TUBE				
		DIM C	DIM B	DIM A	POS.	PART NUMBER
RED		10.90	12.00	8.00	5P	8-440054-9
		8.90	10.00	6.00	4P	8-440054-8
		6.90	8.00	4.00	3P	8-440054-7
BLACK		4.90	6.00	2.00	2P	8-440054-6
		10.90	12.00	8.00	5P	6-440054-9
		8.90	10.00	6.00	4P	6-440054-8
YELLOW		6.90	8.00	4.00	3P	6-440054-7
		4.90	6.00	2.00	2P	6-440054-6
		10.90	12.00	8.00	5P	4-440054-9
BLUE		8.90	10.00	6.00	4P	4-440054-8
		6.90	8.00	4.00	3P	4-440054-7
		4.90	6.00	2.00	2P	4-440054-6
NATURAL WHITE		10.90	12.00	8.00	5P	2-440054-9
		32.90	34.00	30.00	16P	5-440054-6
		30.90	32.00	28.00	15P	5-440054-5
	28.90	30.00	26.00	14P	5-440054-4	
	26.90	28.00	24.00	13P	5-440054-3	
	24.90	26.00	22.00	12P	5-440054-2	
	22.90	24.00	20.00	11P	5-440054-1	
	20.90	22.00	18.00	10P	5-440054-0	
	18.90	20.00	16.00	9P	3-440054-9	
	16.90	18.00	14.00	8P	3-440054-8	
	14.90	16.00	12.00	7P	3-440054-7	
	12.90	14.00	10.00	6P	3-440054-6	
	10.90	12.00	8.00	5P	3-440054-5	
	8.90	10.00	6.00	4P	3-440054-4	
	6.90	8.00	4.00	3P	3-440054-3	
	4.90	6.00	2.00	2P	3-440054-2	

PACKAGE	COLOR	POLY BAG				
		DIM C	DIM B	DIM A	POS.	PART NUMBER
RED		10.90	12.00	8.00	5P	8-440054-5
		8.90	10.00	6.00	4P	8-440054-4
		6.90	8.00	4.00	3P	8-440054-3
BLACK		4.90	6.00	2.00	2P	8-440054-2
		10.90	12.00	8.00	5P	6-440054-5
		8.90	10.00	6.00	4P	6-440054-4
YELLOW		6.90	8.00	4.00	3P	6-440054-3
		4.90	6.00	2.00	2P	6-440054-2
		24.90	26.00	22.00	12P	7-440054-6
BLUE		22.90	24.00	20.00	11P	7-440054-5
		20.90	22.00	18.00	10P	7-440054-4
		18.90	20.00	16.00	9P	7-440054-3
NATURAL WHITE		16.90	18.00	14.00	8P	7-440054-2
		14.90	16.00	12.00	7P	7-440054-1
		12.90	14.00	10.00	6P	7-440054-0
	10.90	12.00	8.00	5P	4-440054-5	
	8.90	10.00	6.00	4P	4-440054-4	
	6.90	8.00	4.00	3P	4-440054-3	
	4.90	6.00	2.00	2P	4-440054-2	

THIS DRAWING IS A CONTROLLED DOCUMENT. 16JUL2004

DWN O. HU
 CHK S. HOU
 APVD W.J. KE
 PRODUCT SPEC
 APPLICATION SPEC
 WEIGHT - GRAMS
 CUSTOMER DRAWING

TE Connectivity
 2.0 MM PITCH HPI VERTICAL POST HEADERS

SIZE A3 CAGE CODE 00779 DRAWING NO C-440054 RESTRICTED TO -

SCALE - SHEET 1 OF 5 REV E1

THIS DRAWING IS UNPUBLISHED.

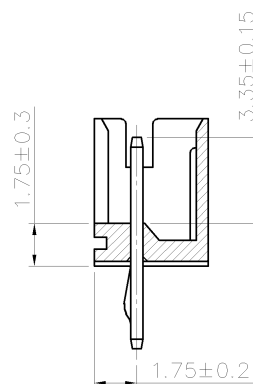
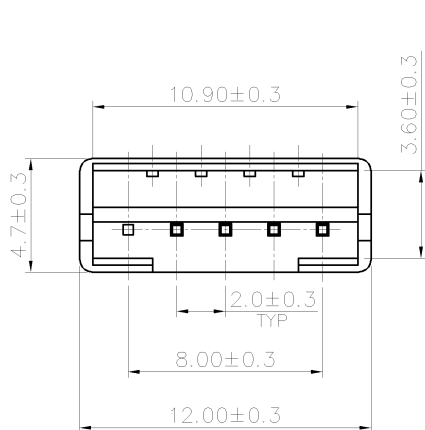
RELEASED FOR PUBLICATION AUG ,2006.

© COPYRIGHT 2009 BY TYCO ELECTRONICS CORPORATION. ALL RIGHTS RESERVED.

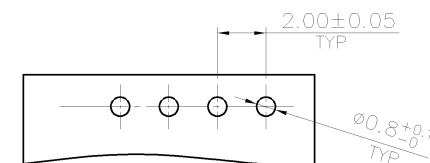
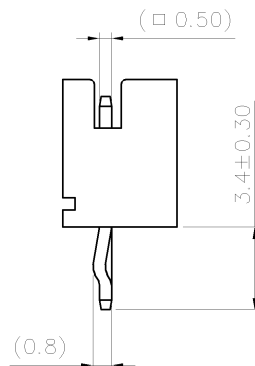
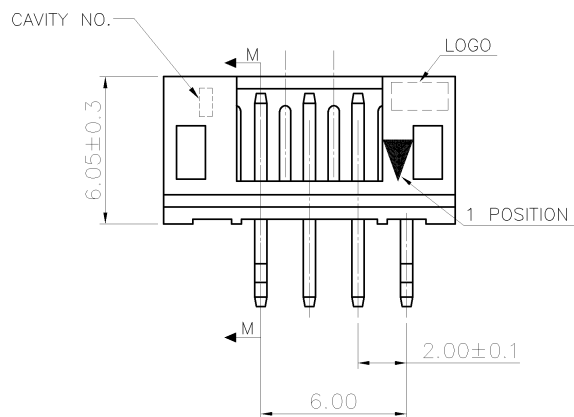
LOC DW
DIST

REVISIONS

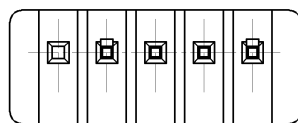
P	LTR	DESCRIPTION	DATE	DWN	APVD
		SEE SHEET 1.			



SECTION M-M



RECOMMENDER PCB LAYOUT
(PCB THK=1.0~1.6mm)



POLY BAG	NATURAL WHITE	PIN 5	4P	9-440054-5
PACKAGE	COLOR	PIN NUMBER LACKED	POS.	PART NUMBER

THIS DRAWING IS A CONTROLLED DOCUMENT.		DWN	STE TE Connectivity		
DIMENSIONS: MM		CHK			
TOLERANCES UNLESS OTHERWISE SPECIFIED:		APVD	2.0 MM PITCH HPI VERTICAL POST HEADERS		
0 PLC ± -		PRODUCT SPEC	-		
1 PLC ± 0.3		APPLICATION SPEC	-		
2 PLC ± 0.2		WEIGHT	-		
3 PLC ± 0.15		SIZE		CAGE CODE	DRAWING NO
4 PLC ± -		A3		00779	C=440054
4 ANGLES ± 3'		CUSTOMER DRAWING		RESTRICTED TO	-
MATERIAL	FINISH	SCALE		SHEET	REV
SEE NOTE (PAGE 1.)	SEE NOTE (PAGE 1.)	-		2 OF 5	E1

THIS DRAWING IS UNPUBLISHED.

RELEASED FOR PUBLICATION AUG ,2006.

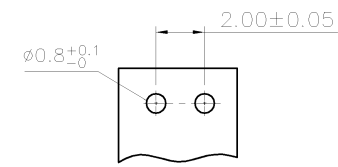
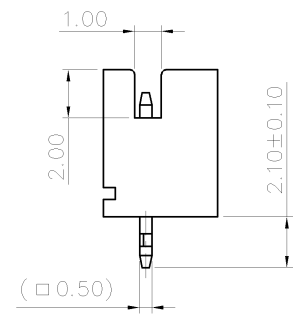
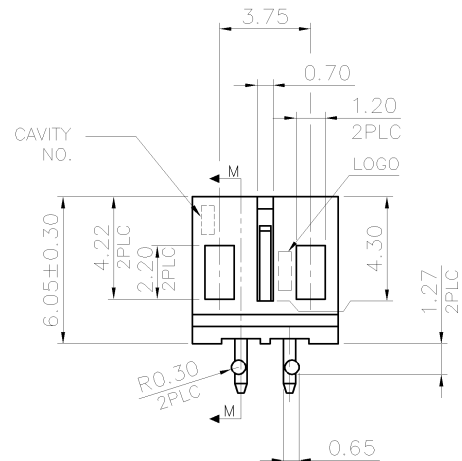
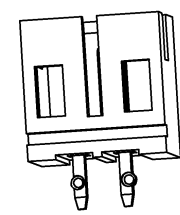
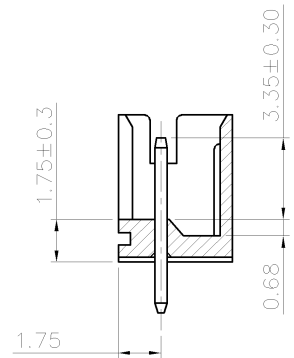
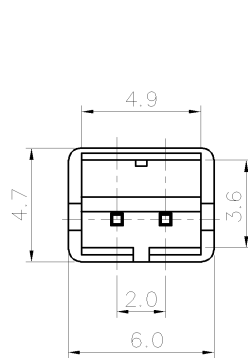
© COPYRIGHT 2009 BY TYCO ELECTRONICS CORPORATION. ALL RIGHTS RESERVED.

LOC DW

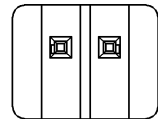
DIST

REVISIONS

P	LTR	DESCRIPTION	DATE	DWN	APVD
		SEE SHEET 1.			



RECOMMENDED PCB LAYOUT (PCB THK=1.0MM~1.6MM)



POLY BAG	NATURAL WHITE	2P	9-440054-2
PACKAGE	COLOR	POS.	PART NUMBER

THIS DRAWING IS A CONTROLLED DOCUMENT.		DWN	STE TE Connectivity	
DIMENSIONS: MM		CHK		
TOLERANCES UNLESS OTHERWISE SPECIFIED:		APVD	NAME	
0 PLC ± -		PRODUCT SPEC	2.0 MM PITCH HPI VERTICAL POST HEADERS	
1 PLC ± 0.3		APPLICATION SPEC	SIZE	CAGE CODE
2 PLC ± 0.2		WEIGHT	A3	00779
3 PLC ± 0.15		DRAWING NO		RESTRICTED TO
4 PLC ± -		C-440054		-
ANGLES ± 3'		CUSTOMER DRAWING		SCALE
MATERIAL	FINISH	SHEET		REV
SEE NOTE (PAGE 1.)	SEE NOTE (PAGE 1.)	3 of 5		E1

THIS DRAWING IS UNPUBLISHED. RELEASED FOR PUBLICATION AUG ,2006.
 © COPYRIGHT 2009 BY TYCO ELECTRONICS CORPORATION. ALL RIGHTS RESERVED.

LOC	DIST	REVISIONS					
DW		P	LTR	DESCRIPTION	DATE	DWN	APVD
				SEE SHEET 1.			

POLY BAG

CARTON

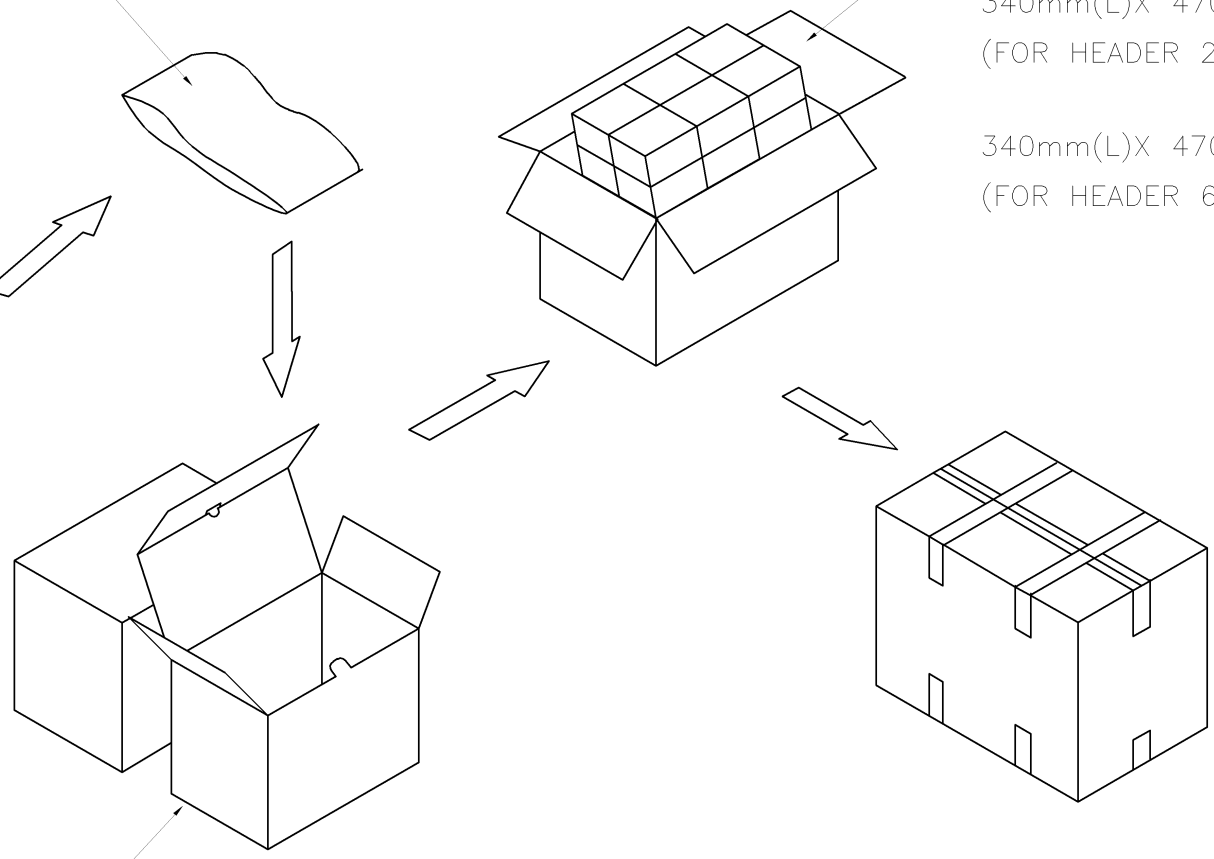
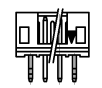
340mm(L)X 470mm(W)X 178mm(H)
 (FOR HEADER 2P~5P ONLY)

340mm(L)X 470mm(W)X 365mm(H)
 (FOR HEADER 6P~16P ONLY)

INEER BOX

320mm(L)X 220mm(W)X 155mm(H)

17,600	550	4P	9-440054-5
40,000	1,000	2P	9-440054-2
17,600	550	5P	8-440054-5
20,800	650	4P	8-440054-4
27,000	750	3P	8-440054-3
40,000	1,000	2P	8-440054-2
17,600	550	5P	6-440054-5
20,800	650	4P	6-440054-4
27,000	750	3P	6-440054-3
40,000	1,000	2P	6-440054-2
16,000	250	12P	7-440054-6
18,000	250	11P	7-440054-5
19,200	300	10P	7-440054-4
22,400	350	9P	7-440054-3
22,400	350	8P	7-440054-2
25,600	400	7P	7-440054-1
28,800	450	6P	7-440054-0
17,600	550	5P	4-440054-5
20,800	650	4P	4-440054-4
27,000	750	3P	4-440054-3
40,000	1,000	2P	4-440054-2
12,000	200	16P	1-440054-6
12,000	200	15P	1-440054-5
12,800	200	14P	1-440054-4
15,000	250	13P	1-440054-3
16,000	250	12P	1-440054-2
18,000	250	11P	1-440054-1
19,200	300	10P	1-440054-0
22,400	350	9P	440054-9
22,400	350	8P	440054-8
25,600	400	7P	440054-7
28,800	450	6P	440054-6
17,600	550	5P	440054-5
20,800	650	4P	440054-4
27,000	750	3P	440054-3
40,000	1,000	2P	440054-2
APQ	PPQ	POS.	PART NUMBER
(PCS/CARTON)	(PCS/BAG)		



THIS DRAWING IS A CONTROLLED DOCUMENT.

DIMENSIONS: MM	TOLERANCES UNLESS OTHERWISE SPECIFIED:	DWN																																		
<table border="1"> <tr><td>0 PLC</td><td>±</td><td>-</td></tr> <tr><td>1 PLC</td><td>±</td><td>-</td></tr> <tr><td>2 PLC</td><td>±</td><td>-</td></tr> <tr><td>3 PLC</td><td>±</td><td>-</td></tr> <tr><td>4 PLC</td><td>±</td><td>-</td></tr> <tr><td>ANGLES</td><td>±</td><td>-</td></tr> </table>	0 PLC	±		-	1 PLC	±	-	2 PLC	±	-	3 PLC	±	-	4 PLC	±	-	ANGLES	±	-	<table border="1"> <tr><td>APVD</td><td>NAME</td></tr> <tr><td>PRODUCT SPEC</td><td></td></tr> <tr><td>APPLICATION SPEC</td><td></td></tr> <tr><td>WEIGHT</td><td></td></tr> </table>	APVD	NAME	PRODUCT SPEC		APPLICATION SPEC		WEIGHT		<table border="1"> <tr><td>SIZE</td><td>CAGE CODE</td><td>DRAWING NO</td><td>RESTRICTED TO</td></tr> <tr><td>A3</td><td>00779</td><td>C=440054</td><td></td></tr> </table>	SIZE	CAGE CODE	DRAWING NO	RESTRICTED TO	A3	00779	C=440054
0 PLC	±	-																																		
1 PLC	±	-																																		
2 PLC	±	-																																		
3 PLC	±	-																																		
4 PLC	±	-																																		
ANGLES	±	-																																		
APVD	NAME																																			
PRODUCT SPEC																																				
APPLICATION SPEC																																				
WEIGHT																																				
SIZE	CAGE CODE	DRAWING NO	RESTRICTED TO																																	
A3	00779	C=440054																																		
MATERIAL	FINISH	CUSTOMER DRAWING	<table border="1"> <tr><td>SCALE</td><td>SHEET</td><td>REV</td></tr> <tr><td></td><td>4 OF 5</td><td>E1</td></tr> </table>	SCALE	SHEET	REV		4 OF 5	E1																											
SCALE	SHEET	REV																																		
	4 OF 5	E1																																		

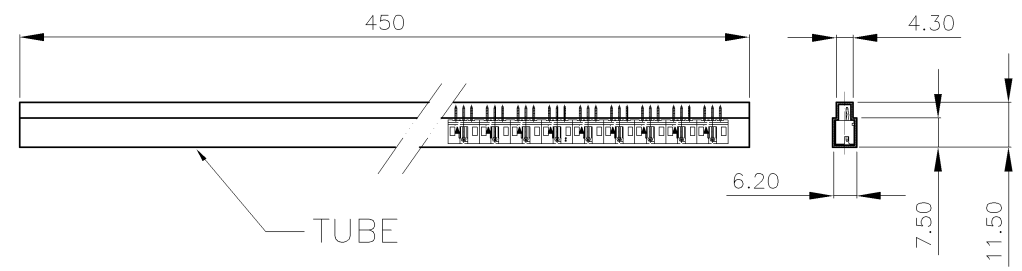
THIS DRAWING IS UNPUBLISHED. RELEASED FOR PUBLICATION AUG ,2006.

© COPYRIGHT 2009 BY TYCO ELECTRONICS CORPORATION. ALL RIGHTS RESERVED.

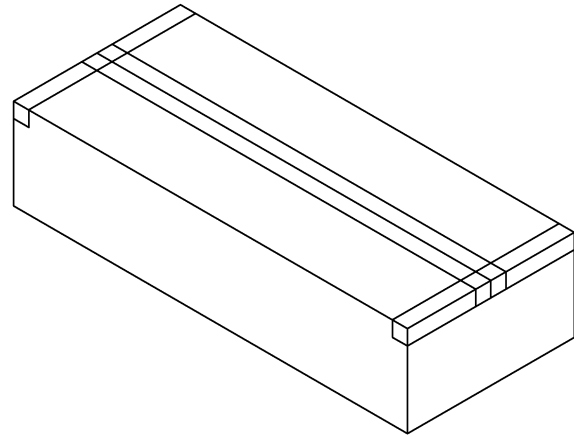
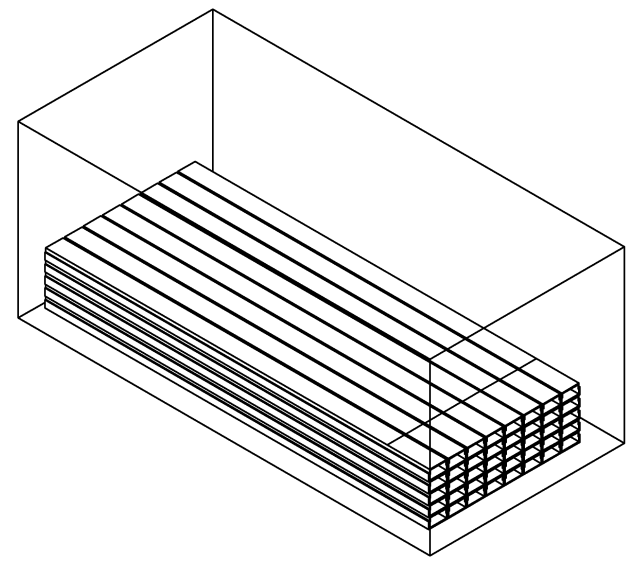
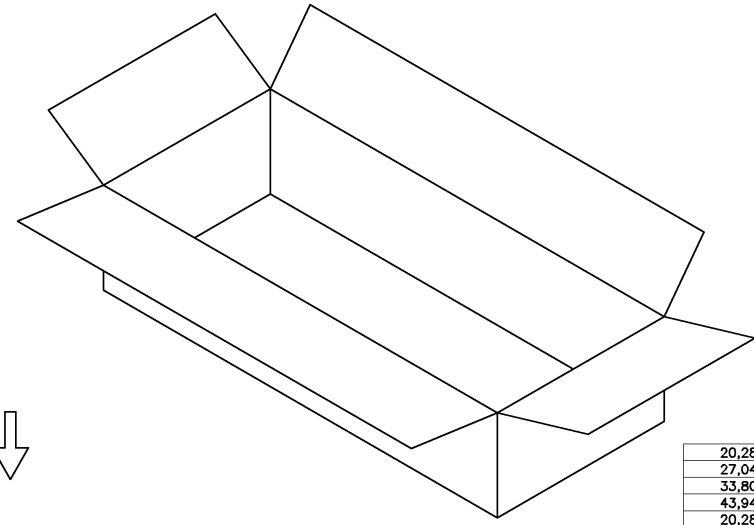
LOC DIST DW

REVISIONS

P	LTR	DESCRIPTION	DATE	DWN	APVD
		SEE SHEET 1.			



CARTON 470 mm(L)X 340mm(W)X 178mm(H)



20,280	30	5P	8-440054-9
27,040	40	4P	8-440054-8
33,800	50	3P	8-440054-7
43,940	65	2P	8-440054-6
20,280	30	5P	6-440054-9
27,040	40	4P	6-440054-8
33,800	50	3P	6-440054-7
43,940	65	2P	6-440054-6
20,280	30	5P	4-440054-9
27,040	40	4P	4-440054-8
33,800	50	3P	4-440054-7
43,940	65	2P	4-440054-6
6,760	10	16P	5-440054-6
8,112	12	15P	5-440054-5
8,112	12	14P	5-440054-4
8,788	13	13P	5-440054-3
10,140	15	12P	5-440054-2
10,816	16	11P	5-440054-1
12,168	18	10P	5-440054-0
13,520	20	9P	3-440054-9
14,872	22	8P	3-440054-8
16,900	25	7P	3-440054-7
18,928	28	6P	3-440054-6
20,280	30	5P	3-440054-5
27,040	40	4P	3-440054-4
33,800	50	3P	3-440054-3
43,940	65	2P	3-440054-2
APQ (PCS/CARTON)	PPQ (PCS/TUBE)	POS.	PART NUMBER

THIS DRAWING IS A CONTROLLED DOCUMENT.

DIMENSIONS: MM

TOLERANCES UNLESS OTHERWISE SPECIFIED:

0 PLC	±	-
1 PLC	±	-
2 PLC	±	-
3 PLC	±	-
4 PLC	±	-
ANGLES	±	-

MATERIAL

FINISH

STE TE Connectivity

2.0 MM PITCH HPI VERTICAL POST HEADERS

SIZE: A3 CAGE CODE: 00779 DRAWING NO: C-440054

CUSTOMER DRAWING

SCALE: SHEET 5 OF 5 REV E1