



Instruction Leaflet

**4-20mA Loop
Powered Indicator**

DPM 942 RS stock no. 119-356

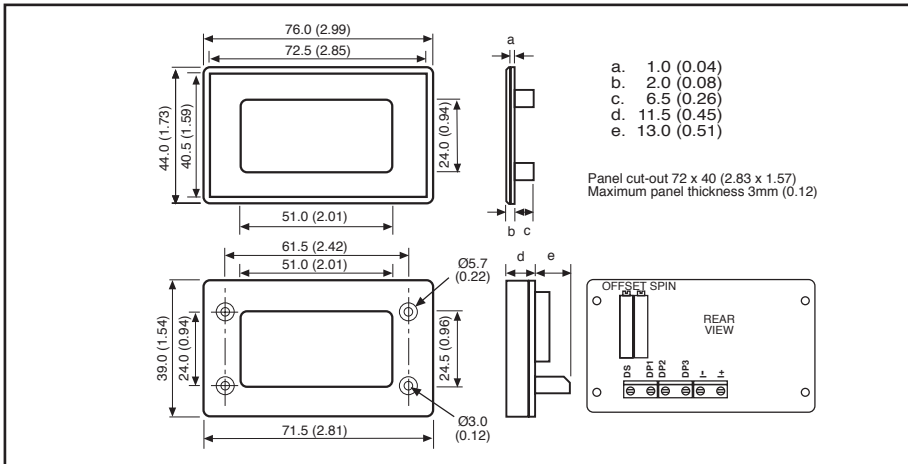
- 19mm Digits
- Low volt drop
- Simple connection

The loop powered indicator gives an accurate, zero corrected, indication of 4-20mA loop current. Features include low volt drop, 19mm digit height, programmable decimal points and simple screw terminal connections. Calibration is by two 20-turn cermet potentiometers which allow sensitive adjustment of the instrument.

The meter is housed in a robust carrier, which can be bolted in place or panel mounted using low profile bezel and clips provided.

Specification	Min.	Typ.	Max.	Unit
Accuracy (overall error)		0.05	0.1	% (±1 count)
Linearity			±1	count
Sample rate		3		per/sec
Temperature	0		50	°C
Temperature stability		100		ppm/°C
Loop volt drop	3.9	4.3	4.8	V

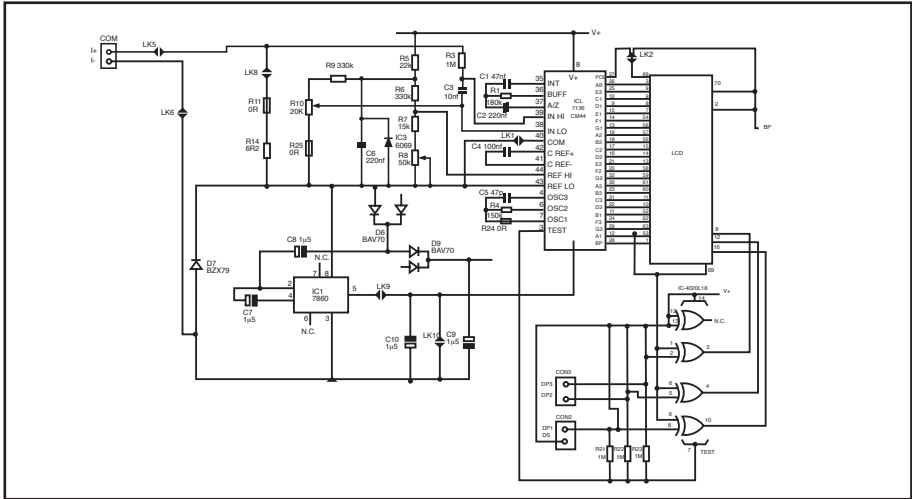
Dimensions (all dimensions in mm and inches)



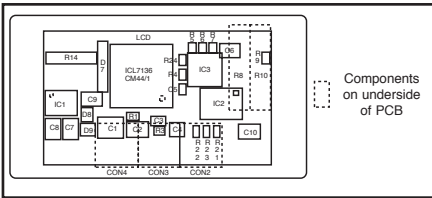
Terminal functions

- | | |
|---------------------------------------|--|
| 1. I+ Positive current input | 5. DP1. 100.0 Decimal point inputs |
| 2. I- Negative current input | 6. DS. Decimal point select. Connect to required DP input to display point. |
| 3. DP3. 1.000 Decimal point inputs | |
| 4. DP2. 10.00 Decimal point inputs | |

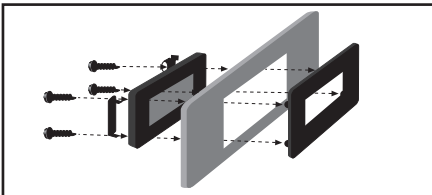
Circuit diagram



Component layout



Panel mounting



Calibration

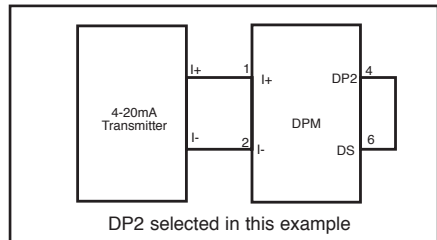
The meter is supplied calibrated to read 000 for 4mA loop current and 1000 for 20mA.

To re-calibrate:

1. Apply 4mA to I+/I- and adjust "offset" to read 000.
2. Apply 20mA and adjust "span" to read 1000.
3. Repeat steps 1 and 2 until there is no more adjustment of "span" and "offset" required to give desired readings.

Basic applications

The meter is powered from the 4-20mA signal. Ensure correct polarity when connecting.



The information provided in RS technical literature is believed to be accurate and reliable; however, RS Components assumes no responsibility for inaccuracies or omissions, or for the use of this information, and all use of such information shall be entirely at the user's own risk.

No responsibility is assumed by RS Components for any infringements of patents or other rights of third parties which may result from its use.

Specifications shown in RS Components technical literature are subject to change without notice.

RS Components, PO Box 99, Corby, Northants, NN17 9RS Telephone: 01536 201234