

Opticom® Trays, Drawers and Preloaded Trays

specifications

Trays, drawers and pre-loaded trays shall be constructed of steel material. Drawers shall have built-in bend radius control clips. Trays and drawers shall have removable top cover to provide easy access to splices and cable storage. Pre-loaded trays shall have a removable patch panel to allow for rear access from front of unit.



technical information

Dimensions:	FMT1:	19.00"W x 1.77"H x 11.16"D (482.60mm x 44.9mm x 283.4mm), 1 RU
	FMT2:	19.00"W x 3.48"H x 11.16"D (482.60mm x 88.3mm x 283.4mm), 2 RU
	FMD1:	19.00"W x 1.77"H x 15.33"D (482.60mm x 44.9mm x 389.5mm), 1 RU
	FMD2:	19.00"W x 3.48"H x 15.40"D (482.60mm x 88.3mm x 391.2mm), 2 RU
	FT1W12DSC:	19.00"W x 1.73"H x 8.01"D (482.60mm x 43.9mm x 203.4mm), 1 RU
	FT1W12ST:	19.00"W x 1.73"H x 8.01"D (482.60mm x 43.9mm x 203.4mm), 1 RU
	FT1W24ST:	19.00"W x 1.73"H x 8.01"D (482.60mm x 43.9mm x 203.4mm), 1 RU
	FT124MC:	19.00"W x 1.73"H x 8.01"D (482.60mm x 43.9mm x 203.4mm), 1 RU

key features and benefits

Trays and Drawers: <i>Side and rear cable entry</i>	Provides installer with several options to route cable within the rack
<i>Removable rear tray cover</i>	Provides easy access to splices and cable storage
<i>Patch panel mounting</i>	Hardware provided to allow patch panel to be preassembled to unit before mounting to rack
Trays: <i>Modular design</i>	Versatility to accept 24 port Mini-Com® Faceplate, all metal modular patch panel or fiber adapter patch panels
Preloaded trays: <i>Modular design</i>	Mounts flush on 19" or 23" racks; also mounts 2.0" recessed on 19" racks or cabinets
<i>Removable patch panel</i>	Allows for rear access from front of unit

applications

Panduit® Opticom® Trays, Drawers and Preloaded Trays are designed to manage and organize fiber distribution in areas where space is limited. They can also be used to manage cable from outside the facility.

Enclosures can be used as an interconnect or cross-connect in any telecommunications room and can use any standard FAP or FMP series adapter panel. Opticom® Trays and Drawers are completely modular and can manage both fiber and copper cables.

Opticom® Trays

Up to 48 fibers: FMT1
Up to 96 fibers: FMT2

Opticom® Drawers

Up to 48 fibers: FMD1
Up to 96 fibers: FMD2

Opticom® Preloaded Trays

12 duplex SC: FT1W12DSC
12 ST bronze: FT1W12ST
24 ST bronze: FT1W24ST
24 Mini-Com® openings: FT124MC

Adapter Panels

6 FJ: FMP6
Blank panel: FAPB

ST Adapter Panels

6 ST: FAP6WST
8 ST: FAP8WST

SC Adapter Panels

6 simplex SC: FAP6WBUSC
3 duplex SC: FAP3WBUDSC
6 duplex SC: FAP6WBUDSC

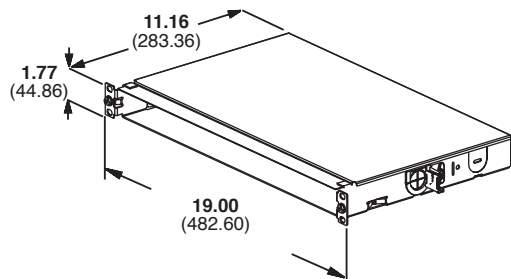
Opticom® Patch/Splice Kits

Splice tray: FST24S
(accepts up to 24 mechanical or fusion splices)
Splice tray holder: FSTHED
(accepts up to 4 FST24S splice trays)

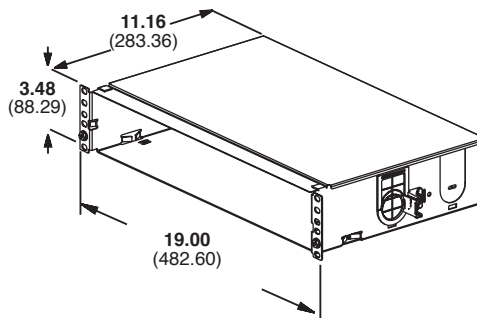
Fiber Adapter Patch Panel

For use with FMT1: CFAPPBL1
For use with FMT2: CFAPPBL2

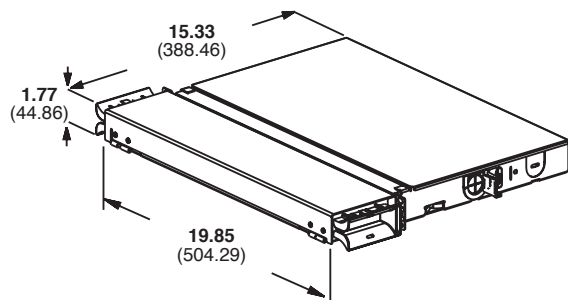
Opticom® Trays, Drawers and Preloaded Trays



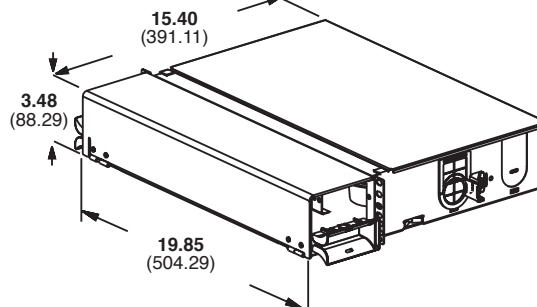
FMT1



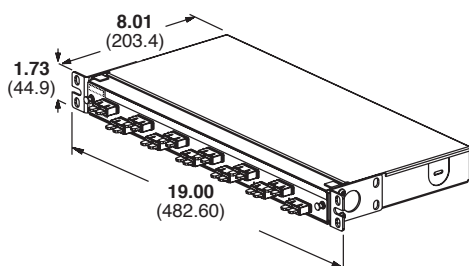
FMT2



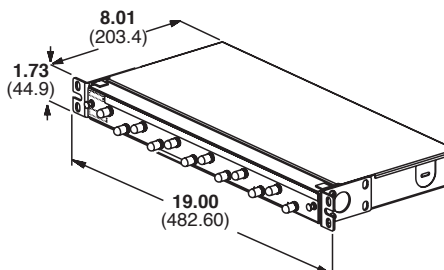
FMD1



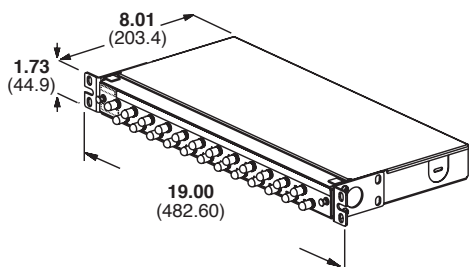
FMD2



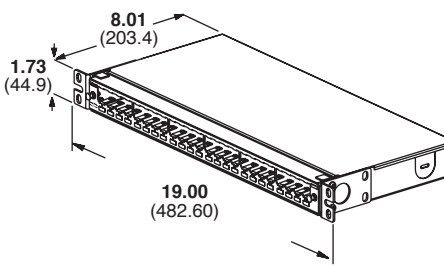
FT1W12DSC



FT1W12ST



FT1W24ST



FT124MC

Dimensions are in inches (Dimensions in parentheses are metric)

WORLDWIDE SUBSIDIARIES AND SALES OFFICES

PANDUIT CANADA
Markham, Ontario
cs-cdn@panduit.com
Phone: 800.777.3300

PANDUIT EUROPE LTD.
London, UK
cs-emea@panduit.com
Phone: 44.20.8601.7200

PANDUIT SINGAPORE PTE. LTD.
Republic of Singapore
cs-ap@panduit.com
Phone: 65.6305.7575

PANDUIT JAPAN
Tokyo, Japan
cs-japan@panduit.com
Phone: 81.3.6863.6000

PANDUIT LATIN AMERICA
Guadalajara, Mexico
cs-la@panduit.com
Phone: 52.33.3777.6000

PANDUIT AUSTRALIA PTY. LTD.
Victoria, Australia
cs-aus@panduit.com
Phone: 61.3.9794.9020

For a copy of Panduit product warranties, log on to www.panduit.com/warranty

For more information

Visit us at www.panduit.com

Contact Customer Service by email: cs@panduit.com
or by phone: 800.777.3300

PANDUIT®

© 2016 Panduit Corp.
ALL RIGHTS RESERVED.
Printed in the U.S.A.
FBSP122--WW-ENG
Replaces WW-RKSP14
7/2016

Mouser Electronics

Authorized Distributor

Click to View Pricing, Inventory, Delivery & Lifecycle Information:

[Panduit:](#)

[FMT2](#) [FMP6](#) [CFAPPBL1](#) [CFAPPBL2](#) [FAPB](#) [FMT1](#)