

TERMINAL BLOCK Connector

Thru-Hole Poke-In Wire Lighting Terminal Blocks

KLS2-L11 Thru-Hole Poke-In Wire Lighting Terminal Blocks

Material:

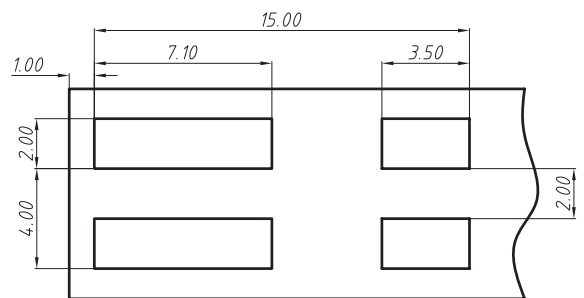
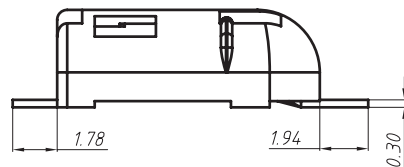
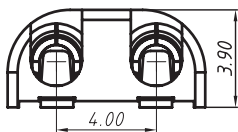
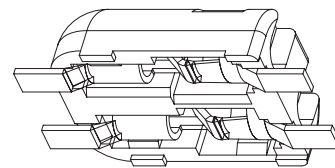
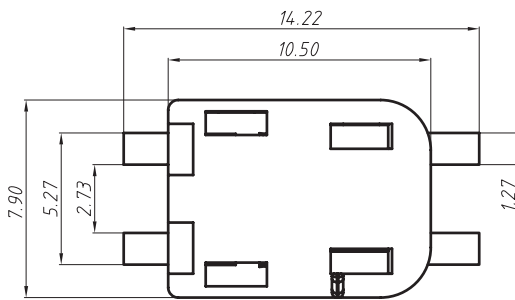
- 1.Housing:LCP
- 2.Housing color:Milk White
- 3.ROHS:Must Comply with directive 2002/95/EC(ROHS)

Technical Parameters:

- 1.Rated wire Gauge:0.2-0.75mm² AWG/24-18
- 2.Wire into Force:Less than or equal to 2.0kgf
- 3.Line pull Force:Greater than or equal to 2.0kgf
- 4.Electrical Parameter:160V 2A
- 5.Working temperature:-60 °C ~ 150 °C

Applying Process:

- 1.Stripping Length:7.0+/- 1.0mm
- 2.Appropriate Weding:Wave Soldering,265 °C/5S,twice total 10s
- 3.Conductor Entry Angle:0 degree to PCB
- 4.Packing:tape or reel



ORDER INFORMATION

Product NO.: KLS2-L11-02P-S

Pos. NO.

PCB SMT

Thru-Hole Poke-In Wire Lighting Terminal Blocks

Connector 2Pin

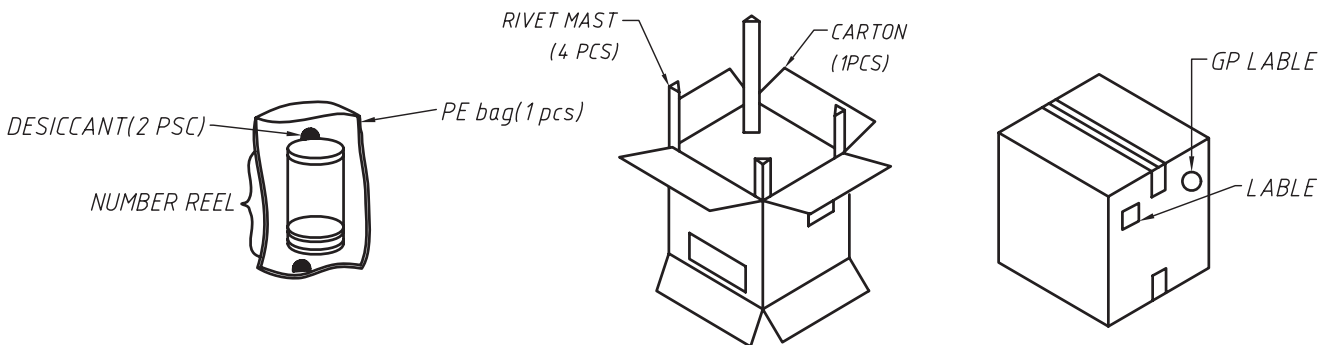
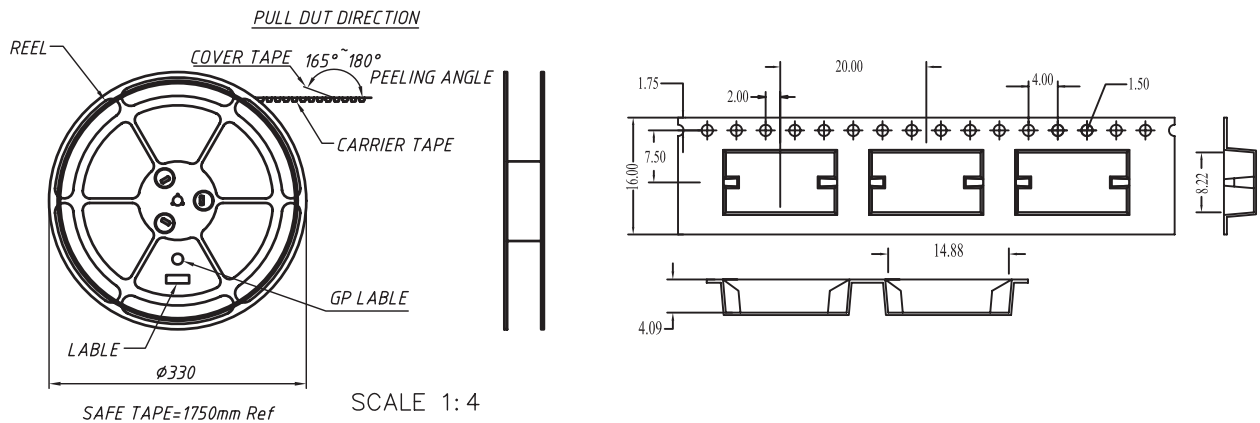
Thru-Hole Poke-In Wire Lighting Terminal Blocks



KLS2-L11 Thru-Hole Poke-In Wire Lighting Terminal Blocks

Note:

1. 10 sprocket hole pitch cumulative tolerance $\pm 0.2\text{mm}$
2. Carrier camber not to exceed 1mm in 250mm
3. All dimension meet EIA-481-C requirements
4. Material: Transparent Polystyrene. (YHD-BK-350)
5. Thickness: $0.35 \pm 0.05\text{mm}$
6. Packing length per 13 "reel; 16.4 Meters
7. Component loader per 13 "reel; 800 pcs
8. Not Dimension angle is 10 degree



Weight: 8.6KG / GW	Quantity: 8000 PCS	Volume: 40x39.5x20
--------------------	--------------------	--------------------

ORDER INFORMATION

Product NO.: **KLS2-L11-02P-S**

Pos. NO.

PCB SMT

Thru-Hole Poke-In Wire Lighting Terminal Blocks

Connector 2Pin