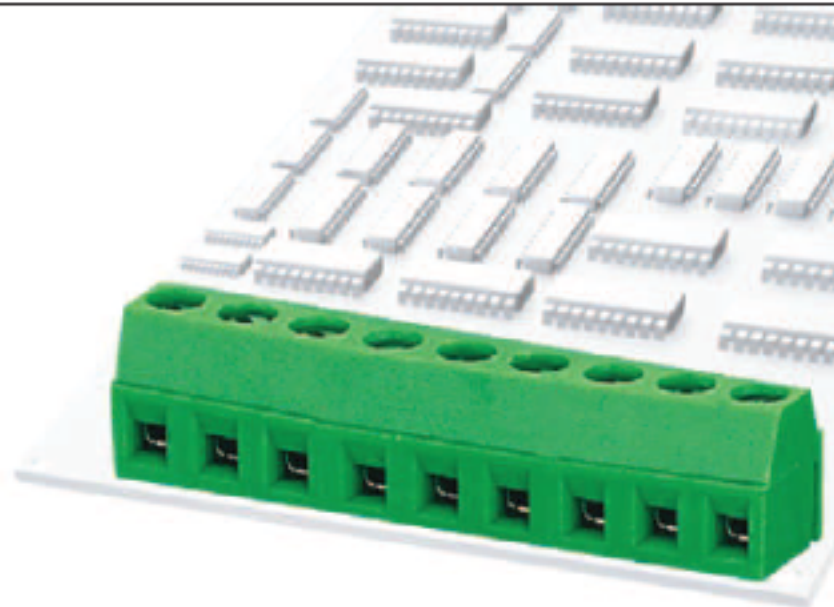


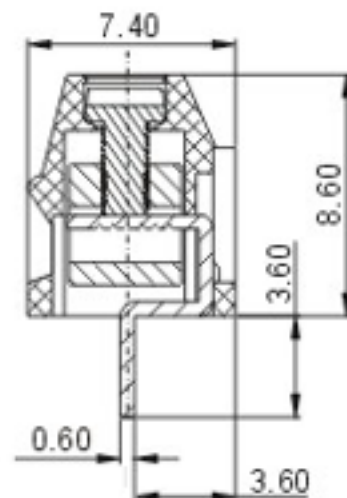
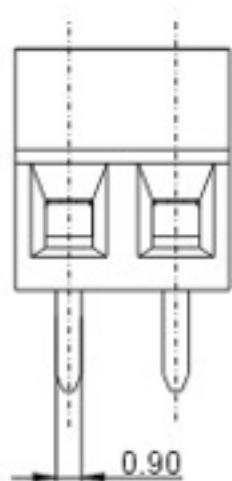
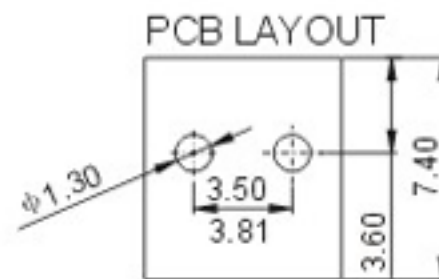
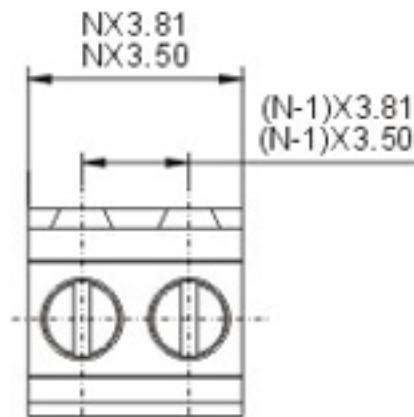


DEGSON ELECTRONICS CO., LTD.

Product Specification

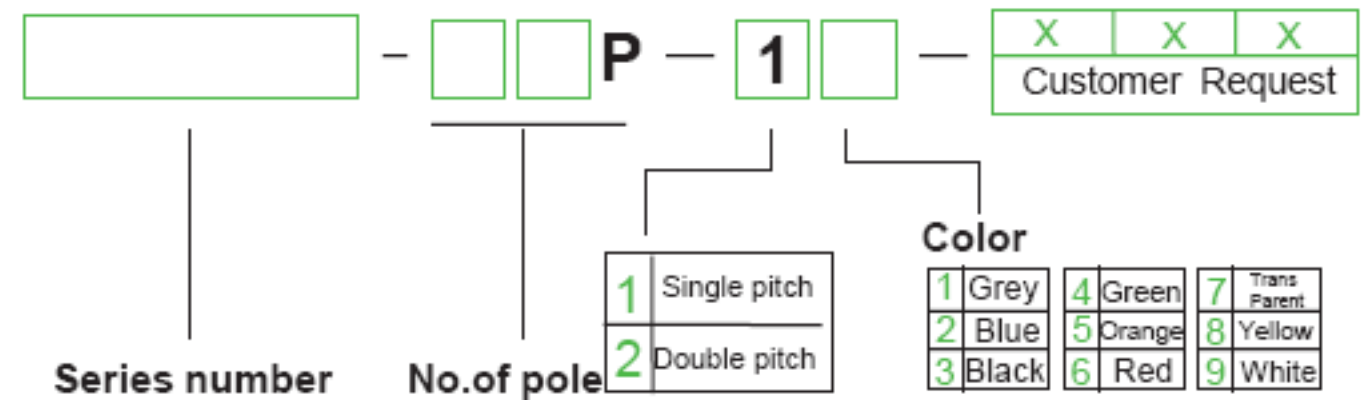


DG381-3.5
DG381-3.81



| | | |
|----------------------|-------------------------------------|--------------------|
| APPROVAL | | |
| Electrical | | |
| Standard | UL | IEC |
| Rated voltage | 150V,300V | 130V |
| Rated current | 10A | 10A |
| Wire range | 26-16AWG | 1.0mm ² |
| Withstanding voltage | AC2000V/1Min | |
| Mechanical | | |
| Torque | 0.2Nm(1.7Lb-In) | |
| Ambient temperature | -40℃~+105℃ | |
| Strip length | 5mm | |
| Dimensions | | |
| pitch | 3.5mm(.138") 3.81mm(.150") | |
| Poles | 2P,3P-24P | |
| Material | | |
| Housing | PA66,UL94V-0 | |
| Screws | M2,Steel, Cr ³⁺ Znplated | |
| Pin header | Phosphor bronze, Tin-plated | |
| Cage | Brass, Ni-plated | |

HOW TO ORDER :



| | | |
|--------------|------|-------------------------------------|
| mm (INCH) | | DEGSON ELECTRONICS CO., LTD. |
| | NAME | DG381-3.5 DG381-3.81 |