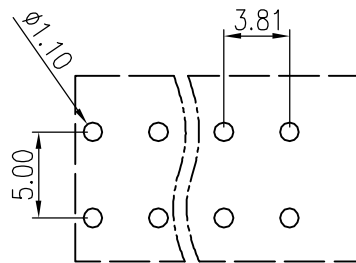
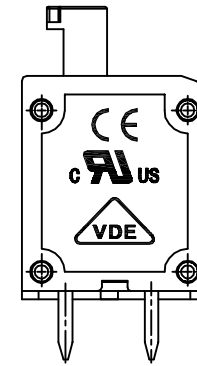
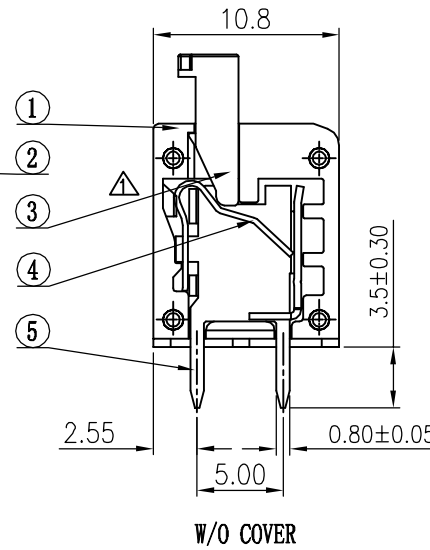
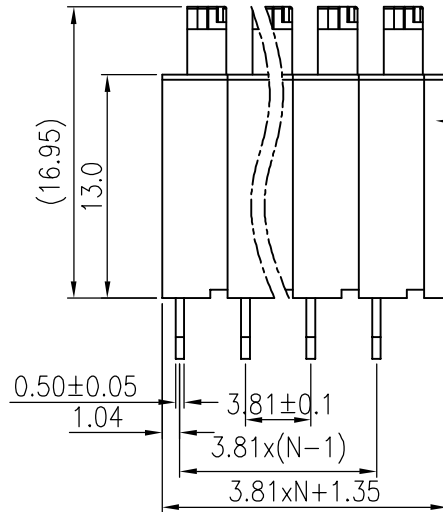


REVISION RECORD				
REV	ECN	DESCRIPTION	DRFT	DATE
▲	09-022	取消认证, 产品加宽, 测试标准	CW	09.08.28
▲	10-0240	通过UL认证, 变更参数	Jinbai.Luo	07/29/10*

Notes:

1. Pitch: 3.81mm, Poles: 02-XXP
2. Rated voltage/current: UL 300V/8A
IEC 250V/17.5A
3. Operation temperatures: -40°C ~ +105°C
4. Withstanding Voltage: AC2000V/1Min
5. Insulation Resistance: 5000MΩ / DC1000V
6. Wire Range: 28~16AWG, 1.5mm² ▲
7. Undimensioned Tolerances: ▲

Pitch range in mm		Nominal dimension range in mm						
to 6	over 6 to 10	over 10 to 24	over 30 to 60	over 60 to 100	over 100 to 150	over 150	∩ □	
±0.10	±0.15	±0.25	±0.2	±0.3	±0.5	±0.7	±1.0	0.05/10



TOP VIEW-LAYOUT

5	DG236-3.81 Pin header	3038B00010 (H)	XX	Pure copper	SnCe Plated
4	DG236-3.81 Spring	X000003310 (H)	XX	Stainless Steel	
3	DG236-3.81 Button	3038D0Y01A (H)	XX	PA66	UL94V-0
2	DG236-5.0 Cover	3020C0Y01A (H)	1	PA66	UL94V-0
1	DG236-3.81 Housing	3038A0Y01A (H)	XX	PA66	UL94V-0

ITEM	NAME OF PART	NO. OF PART	Q'TY	MATERIAL	NOTES
TOLERANCES EXCEPT AS NOTED		DFTO Linda DATE 08/30/08*			
MM (INCH)		CHKD DATE			
.0 ±0.20		MFO DATE			
.00 ±0.15		APPVL DATE			
.000 ±0.075		MATERIAL :			
ANGLES ± 1°		G.E. :			
THIRD ANGLE PROJECTION		FINISH :			
SCALE : 1:1		DO NOT SCALE DRAWING			

宁波高正电子有限公司
 DEGSON ELECTRONICS CO., LTD
 NAME
 DG236-3.81-XXP-1Y-00A(H)
 DRAWING NO. DG236-3.81-E01 SIZE A3 REV T2 07/29/10*
 /PART NO. SHEET 1 OF 1