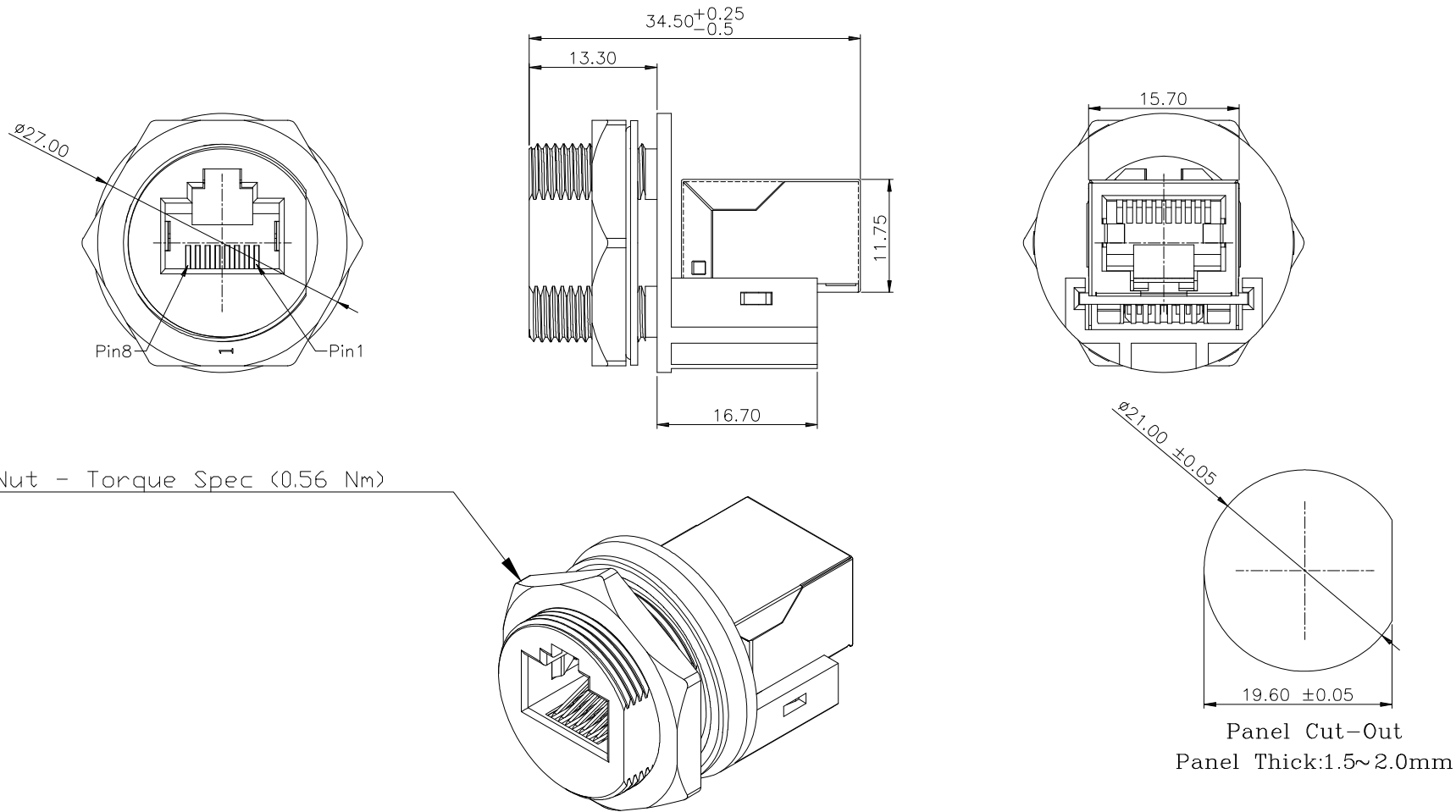
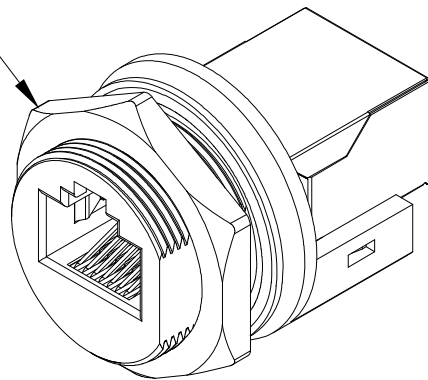


DESCRIPTION: IPRJ CONNECTOR - PLASTIC



Nut - Torque Spec (0.56 Nm)




MATERIALS:

PLASTIC HOUSING: ENGINEERING THERMOPLASTIC  
 FLAMMABILITY RATING UL 94V-0.  
 CONTACTS: PHOSPHOR BRONZE  
 PLATING: GOLD FLASH OVER NICKEL IN CONTACT.

Nut: ENGINEERING THERMOPLASTIC FLAMMABILITY RATING UL 94V-0.  
 Gasket: Silicon

DO NOT SCALE FROM DRAWING

UNITS = mm

	THESE DRAWINGS AND SPECIFICATIONS ARE THE PROPERTY OF NorComp AND SHALL NOT BE REPRODUCED, COPIED OR USED AS THE BASIS FOR THE MANUFACTURE OF SALE OF APPARATUS WITHOUT WRITTEN PERMISSION.		DRAWN: <b>M. SIGMON</b>	DATE: <b>05-10-13</b>
	<h1>NorComp</h1>		SCALE: N.T.S.	SHEET OF 1 1
DWG NO. <b>IPRJCONN-P</b>				

RoHS COMPLIANT

# Mouser Electronics

Authorized Distributor

Click to View Pricing, Inventory, Delivery & Lifecycle Information:

[NorComp:](#)  
[IPRJCONN-P](#)