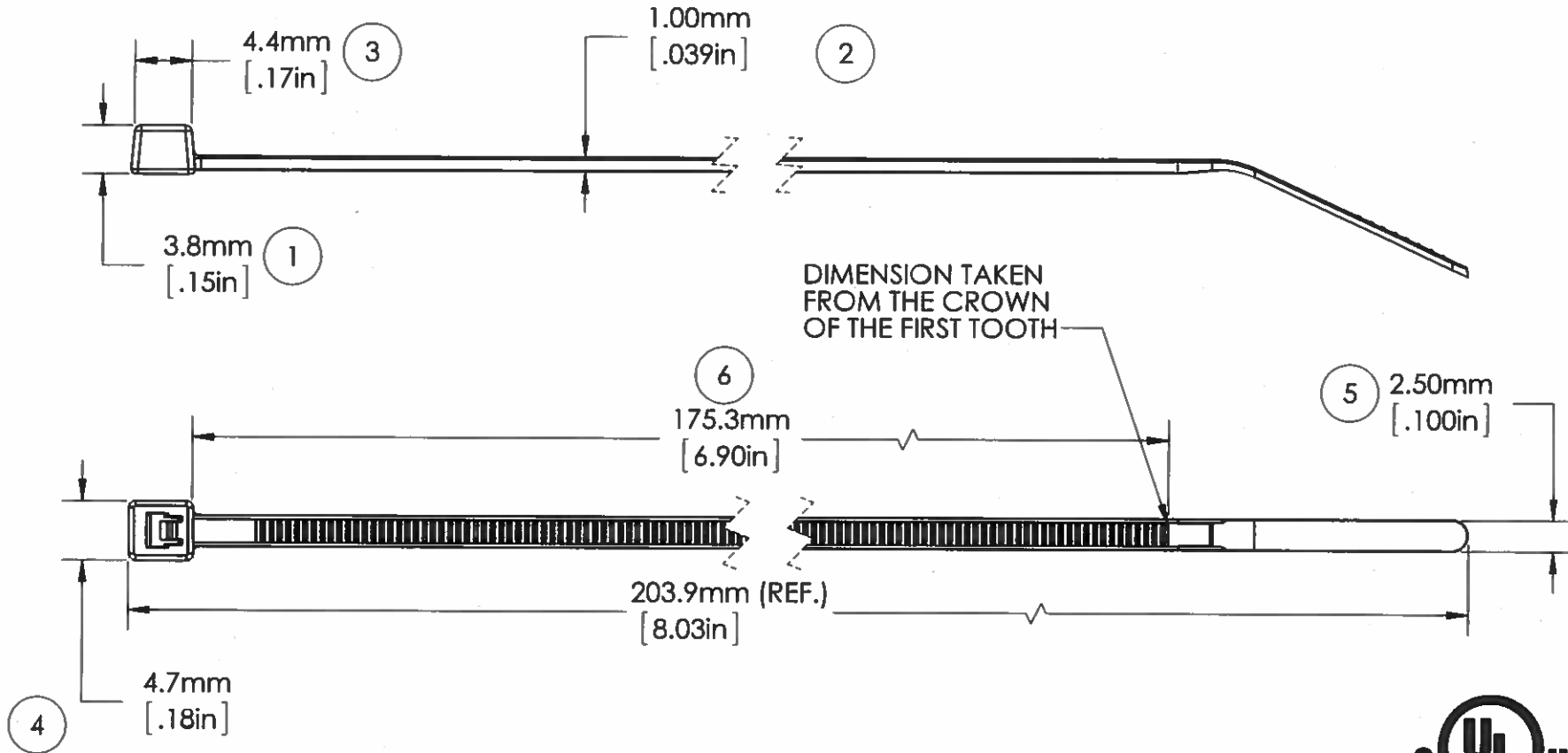


# AVERY DENNISON MARKETING SPECIFICATION

## HISTORY

THE SUBJECT MATTER DISCLOSED HEREIN EMBODIES PROPRIETARY INFORMATION WHICH IS THE CONFIDENTIAL PROPERTY OF THE AVERY DENNISON CO. NONE OF WHICH SHALL BE COPIED, REPRODUCED, DISCLOSED TO OTHERS, PUBLISHED OR USED IN WHOLE OR IN PART, FOR ANY PURPOSE OTHER THAN THAT FOR WHICH IT IS BEING MADE AVAILABLE WITHOUT THE EXPRESS ADVANCE WRITTEN PERMISSION OF A DULY AUTHORIZED AGENT OF THE COMPANY. THIS DOCUMENT IS THE PROPERTY OF THE AVERY DENNISON CO. AND IS TO BE RETURNED TO THE COMPANY ON DEMAND.

REV.	DATE	DESCRIPTION
P	2.25.15	REDRAWN IN NEW FORMAT, ADDED UL INFORMATION AND LOGO



NOTE: THESE CABLE TIES ARE PLENUM RATED AND HAVE A FLAMMABILITY RATING OF V-2



**LISTED**  
POSITIONING DEVICE  
E57800  
TYPE 21

LOOP TENSILE STRENGTH:	18 LBF/80 N MIN. PER AS-23190	<b>APPROVALS:</b> ENG. APPR. <i>[Signature]</i> 2/26/15 Q.A. APPR. <i>[Signature]</i> 2/26/15		<b>AVERY DENNISON</b> FASTENER DIVISION FITCHBURG, MA 01420 U.S.A. TEL. 1-800-225-5913 FAX. 978-353-8157	DESCRIPTION <b>8" CABLE TIE, SLIM-LINE</b>
MILITARY STANDARD:	MS-3367-4-9				
OPERATING TEMP RANGE:	-4°F (-20°C) TO 185°F (85°C)	SPECIFIED TOLERANCES ARE: .XX ± .03 INCHES .X ± .7 MM .XXX ± .010 INCHES .XX ± .25 MM ANGULAR: ± 2°		COLOR <b>NATURAL</b>	
MIN. INSTALLATION TEMP:	32°F (0°C)				
WEIGHT:	0.49g. / (0.01672 oz)				
BUNDLE DIAMETER:	∅ 1.6mm TO ∅ 54mm (0.06" - 2.13")				
TOOL:	12001-0 - HAND TOOL 12500-0 - PNEUMATIC TOOL				
TOOL TENSION SETTING:	1-3				
PACKAGING:	100/BAG, 5000/CASE				

5

4

3

2

1

# Mouser Electronics

Authorized Distributor

Click to View Pricing, Inventory, Delivery & Lifecycle Information:

[Avery Dennison:](#)

[10328-0](#)