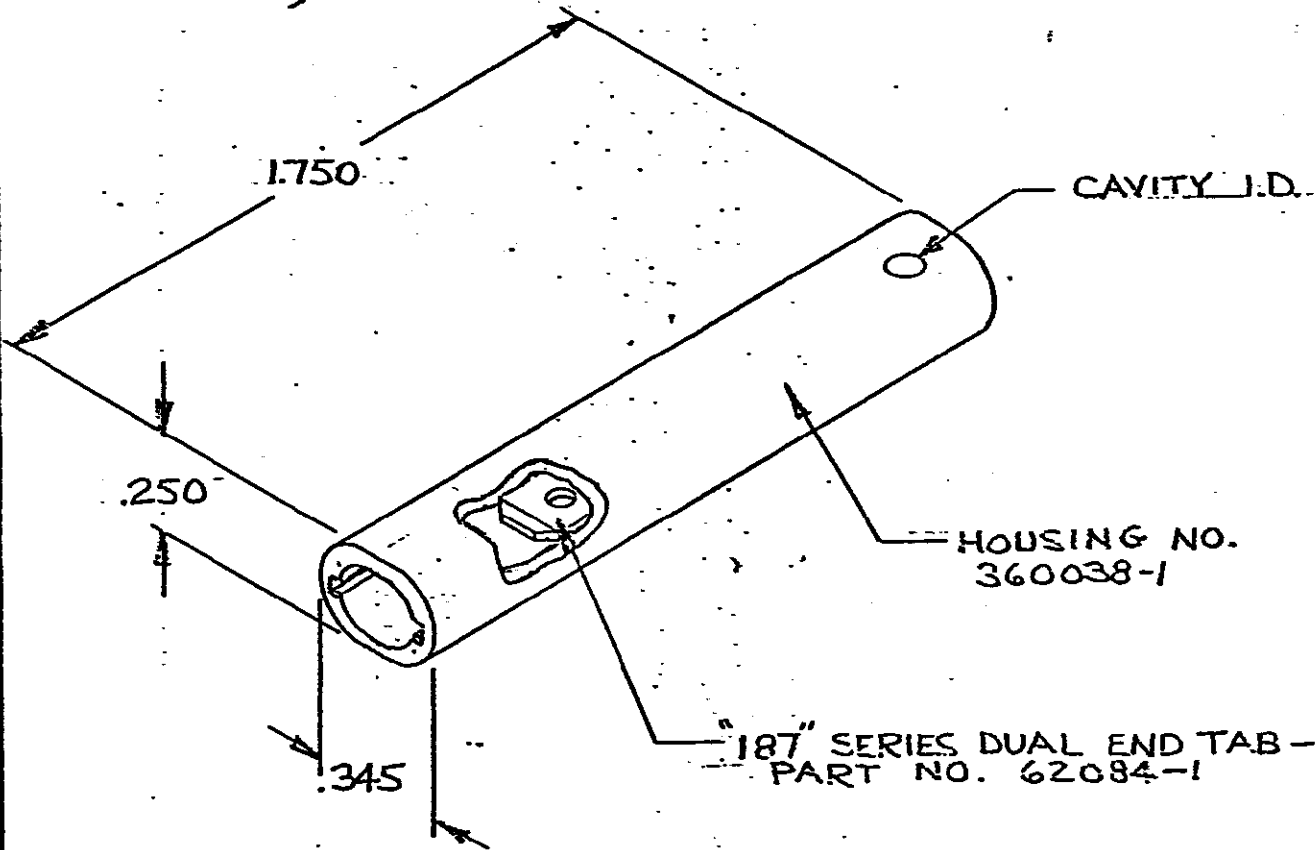
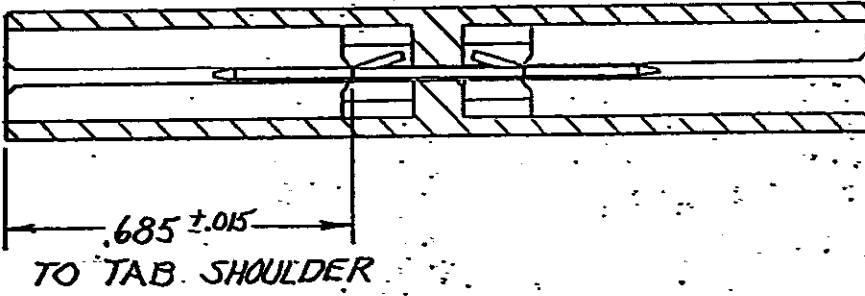


NUMBER 360035



PART NO.  
360035-1



DIMENSIONS IN INCHES. DO NOT SCALE PRINT.

Unpublished copy not to be reproduced nor published without written permission of AMP Incorporated

©1973 BY AMP INCORPORATED. ALL RIGHTS RESERVED. AMP PRODUCTS COVERED BY PATENTS AND/OR PATENTS PENDING				CUSTOMER COPY REFERENCE ONLY	
MATERIAL AND FINISH				AMP INCORPORATED HARRISBURG, PENNA.	
NYLON NATURAL				CLASS --	
WIRE -- RANGE -- INSULATION				TYPE --	
TOLERANCE EXCEPT AS NOTED = .015 = 1" 0'				LOC G	NO 360035
NAME "187" SERIES IN-LINE SPLICE ASSEMBLY				REV D	

PRINT. DIS. 14	LTR		REVISION RECORD	ECN	OP	CHK	DATE
	DR		2-10-73		DE		
	CHK		APP		2-20-73		

# Mouser Electronics

Authorized Distributor

Click to View Pricing, Inventory, Delivery & Lifecycle Information:

[TE Connectivity:](#)

[360035-1](#)