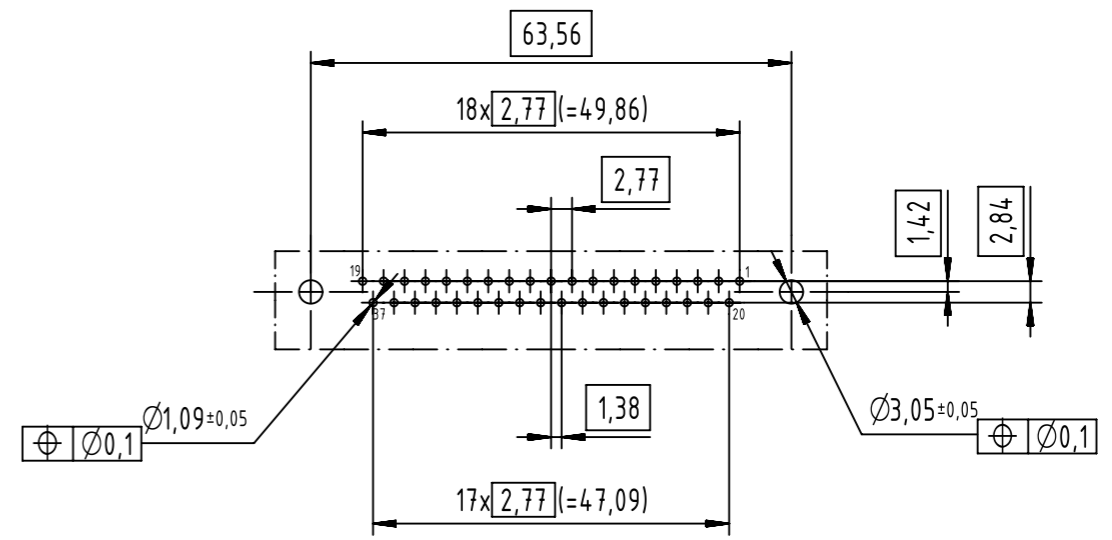


PC-Board layout
view component side
thickness 1,6



Connector insertion force on PCB = max. 80N

09684535613	PLS4
09684537613	PL3
Part number	Performance level

	All rights reserved Department EC PD - CN	Created by ZENGD	Inspected by LUOK	Standardisation HOFFMANN	Date 2017-11-10	State Final Release	Ref. Sub.
	HARTING Electronics GmbH D-32339 Espelkamp	Title D-Sub STD 37-pole female angled board locks				Doc-Key / ECM-Nr. 100539810/UGD/001/C 500000126855	
		Type TB	Number 0968453X613		Rev. C	Page 1/1	

Mouser Electronics

Authorized Distributor

Click to View Pricing, Inventory, Delivery & Lifecycle Information:

[HARTING:](#)

[09684537613](#) [09684535613](#)