

TECHNICAL SPECIFICATIONS

D-Sub Hood:

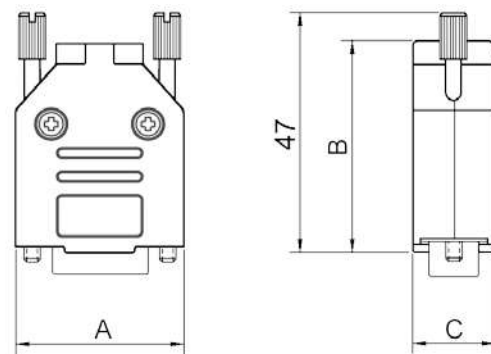
Material: UL 94 V-0 Plastic Material
 Operating Temperature: -55°C to +110°C
 Cable Entry: Top
 Thumbscrews: UNC 4-40 (Standard)
 Cable O.D: Up to 11,5mm
 Colour: Black

D-Sub High Density:

Insulator: PBT, Black, UL94 V-0
 Shell: Stamped Steel, Tin Plated
 Contact pins: Copper Alloy
 Stamped & Formed pins: 100 inserts min
 Contacts Plating: Selective Gold over Nickel
 Operating Temperature: -55°C to +105°C
 Withstanding voltage: 500V for 1 minute
 Insulator resistance: 500MΩ min

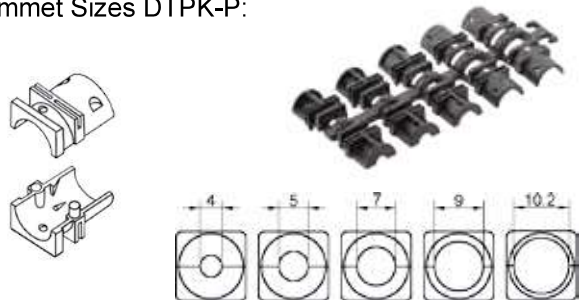
Features:

- Available in sizes 9-15-25-37
- Suitable for any common Sub-D connector
- Strain relief inserts ensure a secure termination
- Re-openable



D-Sub-Hood

Grommet Sizes DTPK-P:



Size DTPK-P	Dim A	Dim B	Dim C
9-way	31,2	39,9	15,0
15-way	39,5	41,5	15,0
25-way	53,4	48,6	15,0
37-way	69,7	53,6	15,0

Ordering information:

D-Sub Connector Kits (100 inserts min.)

Size:	P/N - Kitted:	Product Code - MALE Conn. Kit
HD 15	6355-0053-01	DTPK-P-09-HDP15-K
HD 26	6355-0053-02	DTPK-P-15-HDP26-K
HD 44	6355-0053-03	DTPK-P-25-HDP44-K
HD 62	6355-0053-04	DTPK-P-37-HDP62-K

Size:	P/N - Kitted:	Product Code - FEMALE Conn. Kit
HD 15	6355-0053-11	DTPK-P-09-HDS15-K
HD 26	6355-0053-12	DTPK-P-15-HDS26-K
HD 44	6355-0053-13	DTPK-P-25-HDS44-K
HD 62	6355-0053-14	DTPK-P-37-HDS62-K