

**TECHNICAL SPECIFICATIONS**

**D-Sub Hood:**

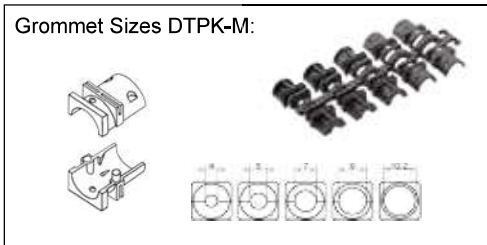
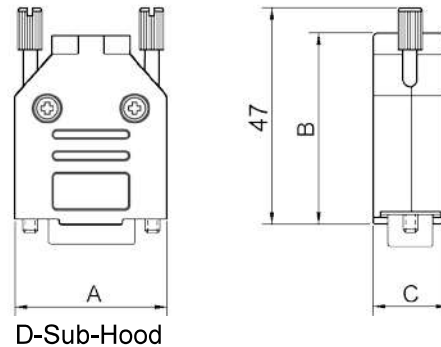
Material: UL 94 V-0 Plastic Material  
 Plating: Nickel over Copper  
 Operating Temperature: -55°C to +110°C  
 Cable Entry: Top Entry  
 Thumbscrews: UNC 4-40 (Standard)  
 Cable O.D: Up to 11,5mm

**Male D-Sub Solder Cup:**

Insulator: PBT, Black, UL94 V-0  
 Shell: Steel, Tin Plated  
 Contact pins: Copper Alloy  
 Stamped & Formed Pins: Class 3, 100 inserts min.  
 Machined Contact Pins: Class 1, 500 inserts min.  
 Contact Plating: Selective Gold over Nickel  
 Operating Temperature: -55°C to +105°C  
 Withstanding voltage: 1000V for 1 minute  
 Insulator resistance: 1000MΩ min.

**Features:**

- Available in sizes 9-15-25-37
- Suitable for any common Sub-D Connector
- Strain relief inserts ensure a secure termination
- Re-openable
- Recyclable



Size DTPK-M	Dim A	Dim B	Dim C
9-way	31,2	39,9	15,0
15-way	39,5	41,5	15,0
25-way	53,4	48,6	15,0
37-way	69,7	53,6	15,0

**Ordering information:**

*Class 3 D-Sub Connector Kits (100 inserts min.)*

Size:	P/N - Kitted:	Product Code - MALE Conn. Kit
9-way	6355-0030-01	DTPK-M-09-DBP-K
15-way	6355-0030-02	DTPK-M-15-DBP-K
25-way	6355-0030-03	DTPK-M-25-DBP-K
37-way	6355-0030-04	DTPK-M-37-DBP-K

**Ordering information:**

*Class 1 D-Sub Connector Kits (500 inserts min.)*

Size:	P/N - Kitted:	Product Code - MALE Conn. Kit
9-way	6355-0031-01	DTPK-M-09-DMP-K
15-way	6355-0031-02	DTPK-M-15-DMP-K
25-way	6355-0031-03	DTPK-M-25-DMP-K
37-way	6355-0031-04	DTPK-M-37-DMP-K