

TECHNICAL SPECIFICATIONS

D-Sub Hood:

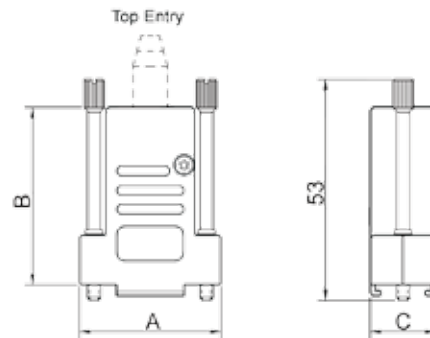
Material:	Zinc, Nickel Plated
Operating Temperature:	-40°C to +120°C
Cable Entry:	Top Entry Rubber Grommet RGS
Strain relief:	Clamp + Insert
Thumbscrews:	Long Jackscrews UNC 4-40 (Standard) M2,5 or M3 on request
Cable O.D:	Up to 11.5mm

Female D-Sub Solder Cup:

Insulator:	PBT, Black, UL94 V-0
Shell:	Steel, Tin Plated
Contact pins:	Copper Alloy
Stamped & Formed Pins:	Class 3, 100 inserts min.
Machined Contact Pins:	Class 1, 500 inserts min.
Contact Plating:	Selective Gold over Nickel
Operating Temperature:	-55°C to +105°C
Withstanding voltage:	1000V for 1 minute
Insulator resistance:	1000MΩ min.

Features:

- Full Metal D-Sub hood
- Long Jackscrews
- Universal Rubber Grommet
- 360° EMI Shielding
- Quick assembly
- Pre-mounted locking screws
- Supports all types of cables
- Suitable for any common D-Sub connector
- Available in Sizes 9-15-25-37



D-Sub-Hood

Size DTSL	Dim A	Dim B	Dim C
9-way	32,2	42,0	15,0
15-way	40,8	42,3	15,0
25-way	54,0	42,3	15,0
37-way	70,5	48,0	15,0

Ordering information:

Class 3 Sub-D Connector Kits (100 inserts min.)

Size:	P/N - Kitted:	Product Code - FEMALE Conn. Kit
9-way	6355-0040-11	DTSL09-LJSRG-T-DBS-K
15-way	6355-0040-12	DTSL15-LJSRG-T-DBS-K
25-way	6355-0040-13	DTSL25-LJSRG-T-DBS-K
37-way	6355-0040-14	DTSL37-LJSRG-T-DBS-K

Ordering information:

Class 1 Sub-D Connector Kits (500 inserts min.)

Size:	P/N - Kitted:	Product Code - FEMALE Conn. Kit
9-way	6355-0040-31	DTSL09-LJSRG-T-DMS-K
15-way	6355-0040-32	DTSL15-LJSRG-T-DMS-K
25-way	6355-0040-33	DTSL25-LJSRG-T-DMS-K
37-way	6355-0040-34	DTSL37-LJSRG-T-DMS-K

