

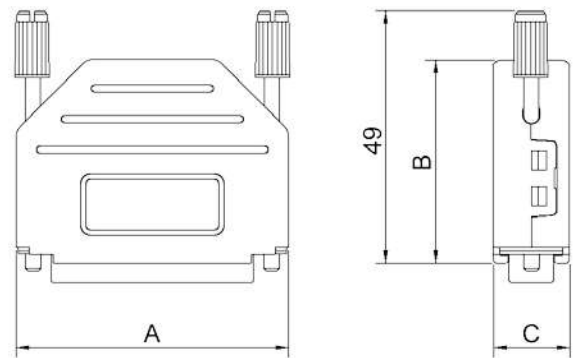
TECHNICAL SPECIFICATIONS

D-Sub Hood:

Housing material: Polyamid, UL-recognised
 Operating Temperature: -55°C to +105°C
 Cable Entry: Top
 Thumbscrews: UNC 4-40 (Standard)
 Cable O.D: Up to 11,5mm

Female D-Sub Solder Cup:

Insulator: PBT, Black, UL94 V-0
 Shell: Steel, Tin Plated
 Contact pins: Copper Alloy
 Stamped & Formed Pins: Class 3, 100 inserts min.
 Machined Contact Pins: Class 1, 500 inserts min.
 Contact Plating: Selective Gold over Nickel
 Operating Temperature: -55°C to +105°C
 Withstanding voltage: 1000V for 1 minute
 Insulator resistance: 1000MΩ min.



Features:

- Available in sizes 9-15-25-37-50
- Supplied with standard solder cup Sub-D connector

Size	Dim A	Dim B	Dim C
9-way	31,5	34,0	15,0
15-way	40,0	34,0	15,0
25-way	53,5	34,0	15,0
37-way	70,0	40,0	15,0
50-way	67,5	40,0	19,0

Ordering information - Black Insulator:

Size:	P/N - Kitted:	Class 3 - 100 inserts min.
9-way	6355-0001-11	DPPK09-BK-DBS-K
15-way	6355-0001-12	DPPK15-BK-DBS-K
25-way	6355-0001-13	DPPK25-BK-DBS-K
37-way	6355-0001-14	DPPK37-BK-DBS-K
50-way	6355-0001-15	DPPK50-BK-DBS-K

Size:	P/N - Kitted:	Class 1 - 100 inserts min.
9-way	6355-0054-11	DPPK09-BK-DMS-K
15-way	6355-0054-12	DPPK15-BK-DMS-K
25-way	6355-0054-13	DPPK25-BK-DMS-K
37-way	6355-0054-14	DPPK37-BK-DMS-K
50-way	6355-0054-15	DPPK50-BK-DMS-K

Ordering information - White Insulator:

Size:	P/N - Kitted:	Class 3 - 100 inserts min.
9-way	6355-8001-11	DPPK09-BK-DBS-W-K
15-way	6355-8001-12	DPPK15-BK-DBS-W-K
25-way	6355-8001-13	DPPK25-BK-DBS-W-K
37-way	6355-8001-14	DPPK37-BK-DBS-W-K
50-way	6355-8001-15	DPPK50-BK-DBS-W-K

Size:	P/N - Kitted:	Class 1 - 100 inserts min.
9-way	6355-8054-11	DPPK09-BK-DMS-W-K
15-way	6355-8054-12	DPPK15-BK-DMS-W-K
25-way	6355-8054-13	DPPK25-BK-DMS-W-K
37-way	6355-8054-14	DPPK37-BK-DMS-W-K
50-way	6355-8054-15	DPPK50-BK-DMS-W-K

