

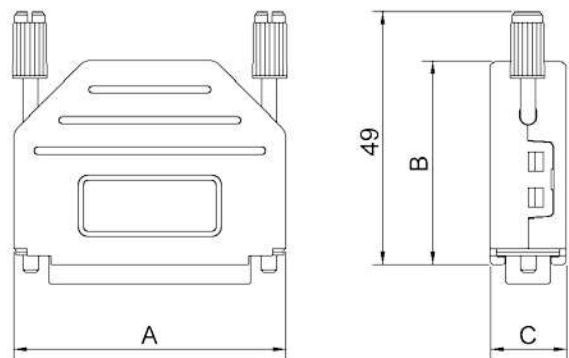
**TECHNICAL SPECIFICATIONS**

**D-Sub Hood:**

Housing material: Polyamid, UL-recognised  
 Operating Temperature: -55°C to +105°C  
 Cable Entry: Top  
 Thumbscrews: UNC 4-40 (Standard)  
 Cable O.D: Up to 11,5mm

**Male D-Sub Solder Cup:**

Insulator: PBT, Black, UL94 V-0  
 Shell: Steel, Tin Plated  
 Contact pins: Copper Alloy  
 Stamped & Formed Pins: Class 3, 100 inserts min.  
 Machined Contact Pins: Class 1, 500 inserts min.  
 Contact Plating: Selective Gold over Nickel  
 Operating Temperature: -55°C to +105°C  
 Withstanding voltage: 1000V for 1 minute  
 Insulator resistance: 1000MΩ min.



D-Sub-Hood

**Features:**

- Available in sizes 9-15-25-37-50
- Supplied with standard solder cup Sub-D connector

Size	Dim A	Dim B	Dim C
9-way	31,5	34,0	15,0
15-way	40,0	34,0	15,0
25-way	53,5	34,0	15,0
37-way	70,0	40,0	15,0
50-way	67,5	40,0	15,0

**Ordering information:**

*Class 3 D-SubConnector Kits (100 inserts min.)*

Size:	P/N - Kitted:	Product Code - MALE Conn. Kit
9-way	6355-0001-01	DPPK09-BK-DBP-K
15-way	6355-0001-02	DPPK15-BK-DBP-K
25-way	6355-0001-03	DPPK25-BK-DBP-K
37-way	6355-0001-04	DPPK37-BK-DBP-K
50-way	6355-0001-05	DPPK50-BK-DBP-K

**Ordering information:**

*Class 1 D-Sub Connector Kits (500 inserts min.)*

Size:	P/N - Kitted:	Product Code - MALE Conn. Kit
9-way	6355-0054-01	DPPK09-BK-DMP-K
15-way	6355-0054-02	DPPK15-BK-DMP-K
25-way	6355-0054-03	DPPK25-BK-DMP-K
37-way	6355-0054-04	DPPK37-BK-DMP-K
50-way	6355-0054-05	DPPK50-BK-DMP-K