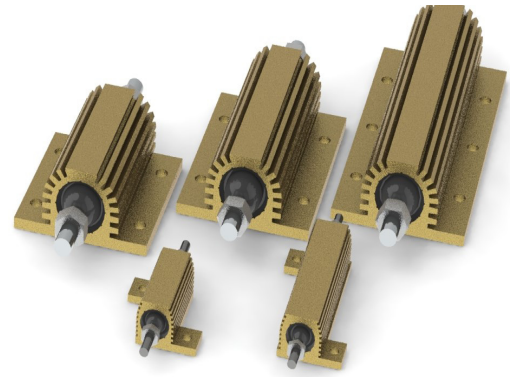


ARCOL manufactured Aluminium Housed Resistors are now available with threaded terminals and supplied with fixing kit as standard. M3 terminal available on the 25 & 50 Watt resistors & M6 terminal on the 75 to 150 range.

- High Power to volume
- Wound to maximise High Pulse Capability
- Values from R005 to 100K
- Custom designs welcome
- RoHS Compliant

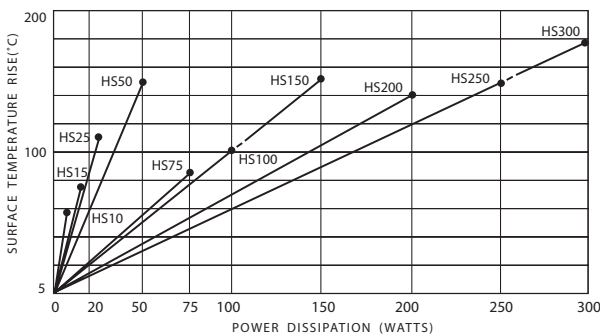


Characteristics

Tolerance (Code):	Standard $\pm 5\%$ (J) and $\pm 10\%$ (K). Also available $\pm 1\%$ (F), $\pm 2\%$ (G) and $\pm 3\%$ (H)
Tolerance for low Ω values:	Typically $\geq R05 \pm 5\% \leq R047 \pm 10\%$
Temperature coefficients:	Typical values $< 1K$ 100ppm Std. $> 1K$ 25ppm Std. For lower TCR's please contact Arcol
Insulation resistance (Dry):	10,000 M Ω minimum
Power dissipation:	At high ambient temperature dissipation derates linearly to zero at 200°C
Ohmic values:	From R005 to 100K depending on wattage size
Low inductive (NHS):	Specify by adding N before HS Series code, e.g. NHS50
NHS ohmic value:	Divide standard HS maximum value by 4
NHS working volts:	Divide standard HS maximum working voltage by 1.414

Temp. Rise & Power Dissipation

Surface temperature of resistor related to power dissipation. The resistor is standard heatsink mounted using a proprietary heatsink compound.



Heat Dissipation

Heat dissipation: Whilst the use of proprietary heat sinks with lower thermal resistances is acceptable, uprating is not recommended. For maximum heat transfer it is recommended that a heat sink compound be applied between the resistor base and heat sink chassis mounting surface. It is essential that the maximum hot spot temperature of 200°C is not exceeded, therefore, the resistor must be mounted on a heat sink of correct thermal resistance for the power being dissipated.

Ordering Procedure

Standard Resistor. To specify standard: Series, Watts, Ohmic Value, Tolerance Code, e.g.: HS25 E3 2R2 J

Non Inductive Resistor. To specify add N, e.g.: NHS50E3 10R J

ARCOL UK Limited,
Threemilestone Ind. Estate,
Truro, Cornwall, TR4 9LG, UK.
T +44 (0) 1872 277431
F +44 (0) 1872 222002
E sales@arcolresistors.com

www.arcolresistors.com

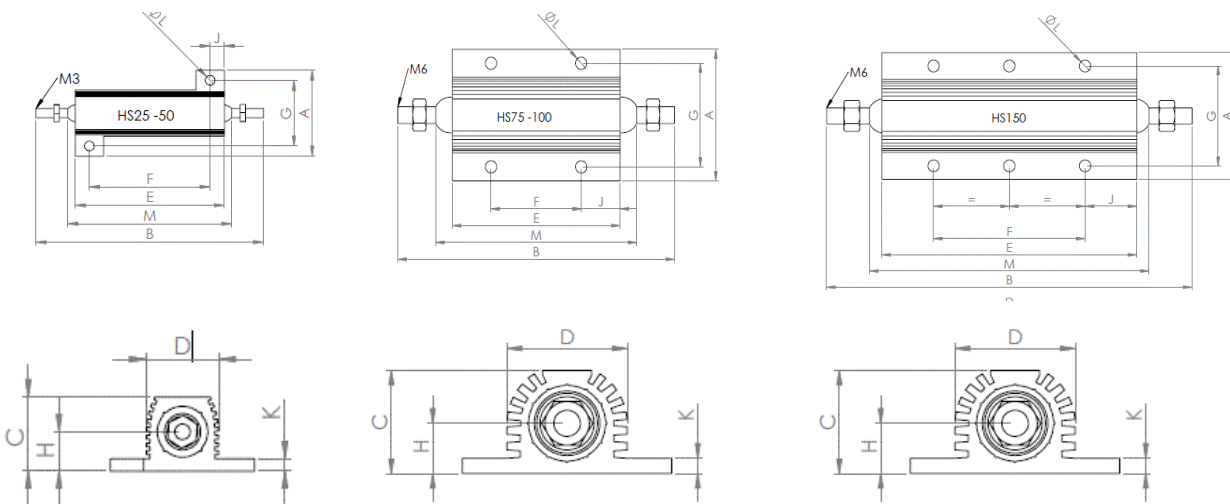
The information contained herein does not form part of a contract and is subject to change without notice. ARCOL operate a policy of continual product development, therefore, specifications may change.

It is the responsibility of the customer to ensure that the component selected from our range is suitable for the intended application. If in doubt please ask ARCOL.

Electrical Specifications

Size	Terminal Style	Power rating on std. heatsink @25°C	Watts with no heatsink @25°C	Resistance range	Limiting element voltage	Voltage proof AC Peak	Voltage proof AC rms.	Approx weight gms	Typical surface rise HS mounted	Standard heatsink	
										cm ²	Thickness mm
HS25E3	M3	25	9	R005-36K	550	3500	2500	14	4.2	535	1
HS50E3	M3	50	14	R01-86K	1250	3500	2500	32	3.0	535	1
HS75E6	M6	75	24	R01-50K	1400	6363	4500	85	1.1	995	3
HS100E6	M6	100	30	R01-70K	1900	6363	4500	115	1.0	995	3
HS150E6	M6	150	45	R01-100K	2500	6363	4500	175	1.0	995	3

HS25E3, HS50E3-HS75E6, HS100E6 & HS150E6 Resistors



Dimensions (mm)

Size	A Max	B Max	C Max	D Max	E Max	F±0.3	G±0.3	H Max	J Max	K Max	L ±0.25*	M Max
HS25E3	29.7	55.0	14.6	14.0	27.3	18.3	21.4	8.5	5.2	2.6	3.2	35.0
HS50E3	29.7	77.0	14.8	14.2	49.1	39.7	21.4	8.5	5.2	2.6	3.2	55.0
HS75E6	47.5	94.5	24.1	27.3	48.7	29.0	37.0	11.8	10.4	3.7	4.4	64.0
HS100E6	47.5	111.0	24.1	27.3	65.2	35.0	37.0	11.8	15.4	3.7	4.4	80.0
HS150E6	47.5	143.0	24.1	27.3	97.7	58.0	37.0	11.8	20.4	3.7	4.4	110.0

Mouser Electronics

Authorized Distributor

Click to View Pricing, Inventory, Delivery & Lifecycle Information:

Ohmite:

[HS50E3 47R F M145](#) [HS75E6 3R3 F M193](#) [HS150E6 2R F M193](#) [HS50E3 2R2 F M145](#) [HS100E6 15R F M193](#)
[HS25E3 12R F M145](#) [HS50E3 5R F M145](#) [HS100E6 3R F M193](#) [HS150E6 2R2 F M193](#) [HS50E3 6R8 F M145](#)
[HS50E3 27R F M145](#) [HS150E6 82R F M193](#) [HS50E3 100R F M145](#) [HS25E3 100R F M145](#) [HS150E6 4R7 F M193](#)
[HS25E3 1K F M145](#) [HS25E3 10R F M145](#) [HS50E3 50R F M145](#) [HS100E6 8R F M193](#) [HS100E6 5R F M193](#)
[HS150E6 5R F M193](#) [HS50E3 22R F M145](#) [HS100E6 6R8 F M193](#) [HS50E3 10R F M145](#) [HS100E6 3R3 F M193](#)
[HS25E3 47R F M145](#) [HS100E6 1K F M193](#) [HS25E3 22R F M145](#) [HS100E6 1R5 F M193](#) [HS150E6 4R F M193](#)
[HS50E3 4R7 F M145](#) [HS50E3 20R F M145](#) [HS100E6 2R2 F M193](#) [HS150E6 10R F M193](#) [HS100E6 22R F M193](#)
[HS150E6 150R F M193](#) [HS100E6 100R F M193](#) [HS50E3 3R3 F M145](#) [HS50E3 15R F M145](#) [HS100E6 4R7 F M193](#)
[HS75E6 100R F M193](#) [HS100E6 50R F M193](#) [HS150E6 8R F M193](#) [HS50E3 4R F M145](#) [HS100E6 2R F M193](#)
[HS100E6 4R F M193](#) [HS75E6 10R F M193](#) [HS50E3 1K F M145](#) [HS100E6 10R F M193](#) [HS100E6 47R F M193](#)
[HS50E3 1R F M145](#) [HS50E3 12R F M145](#) [HS100E6 150R F M193](#) [HS150E6 100R F M193](#) [HS50E3 33R F M145](#)
[HS25E3 1R F M145](#) [HS100E6 10K F M193](#) [HS75E6 15R F M193](#) [HS150E6 1R F M193](#) [HS100E6 1R F M193](#)
[HS150E6 1R5 F M193](#) [HS100E6 12R F M193](#) [HS25E3 150R F M145](#)