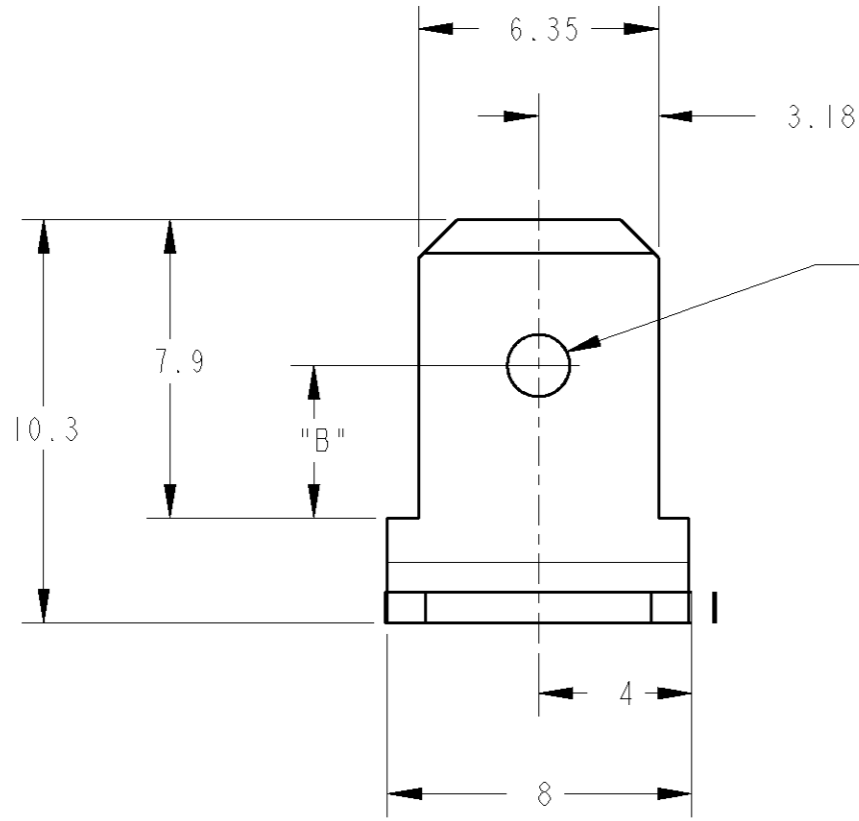


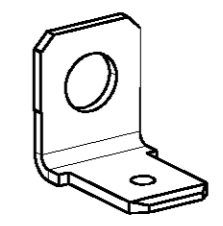
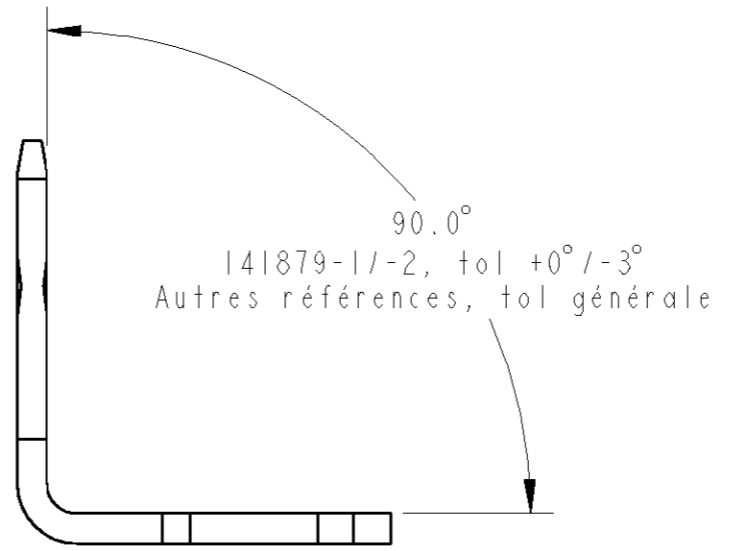
THIS DRAWING IS UNPUBLISHED.
 DIFFUSION RESTREINTE AMP
 © COPYRIGHT BY

RELEASED FOR PUBLICATION
 LIBRE A LA DIFFUSION
 20
 ALL RIGHTS RESERVED.
 TOUS DROITS RESERVES

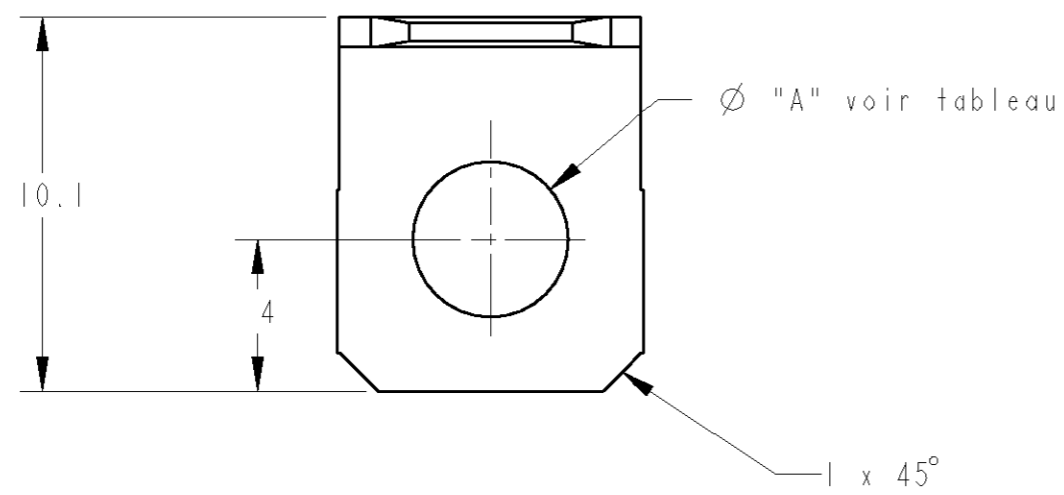
LOC		DIST		REVISIONS			
P	LTR REV	DESCRIPTION MODIFICATIONS		DATE	DWN DESS.	APVD APP.	
	J1	REVISED PER ECO-11-005150		28APR11	RK	HMR	



Bossage \varnothing 1.7
 ou
 Trou \varnothing 2
 ITEM "C" (voir tableau)



ECHELLE 2:1



\varnothing "A" voir tableau

142612-2	etame	3	3.4	trou
142612-1	brut	3	3.4	trou
141879-2	etame	4.1	3.4	trou
141879-1	brut	4.1	3.4	trou
140793-2	etame	4.1	3.4	trou
140793-1	brut	4.1	3.4	trou
140732-2	etame	3.1	4	bossage
140732-1	brut	3.1	4	bossage
140600-0	etame	3.7	4	bossage
140599-0	brut	3.7	4	bossage
140594-0	etame	4.1	4	bossage
140593-0	brut	4.1	4	bossage
Numero	Finition	"A"	"B"	"C"

DIMENSIONS: mm		TOLERANCES UNLESS OTHERWISE SPECIFIED: TOLERANCES NON SPECIFIEES (SUIV NB DE DECIMALES): 0 PLC/DEC: ± 1 PLC/DEC: ±0.2 2 PLC/DEC: ± 3 PLC/DEC: ± 4 PLC/DEC: ± ANGLES ±30'		DWN/DESSINE 30MARS98 O. LEMPEREUR CHK/VERIFIE - G. ROBERT APVD/APPROUVE - Y. PETRONIN PRODUCT SPEC SPEC. PRODUIT - APPLICATION SPEC SPEC. APPLICATION -	
MATERIAL/MATIERE LAITON Epaisseur : 0.8mm		FINISH/FINITION VOIR TABLE		WEIGHT MASSE APPROX. -	

STE TE Connectivity

NAME/TITRE: FASTON TABS BENT 90 .250 series
 LANGUETTE POUR CLIPS

SIZE FORMAT	CAGE CODE	DRAWING NO No PLAN	RESTRICTED TO RESERVE A
A3	00779	C=140593	-

CUSTOMER DRAWING /PLAN CLIENT UNIQUEMENT POUR REFERENCE SCALE/ECHELLE 5:1 SHEET/FEUILLE OF/DE REV J1