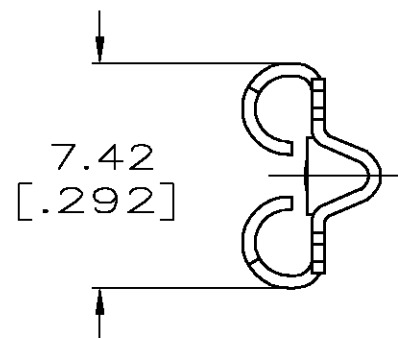
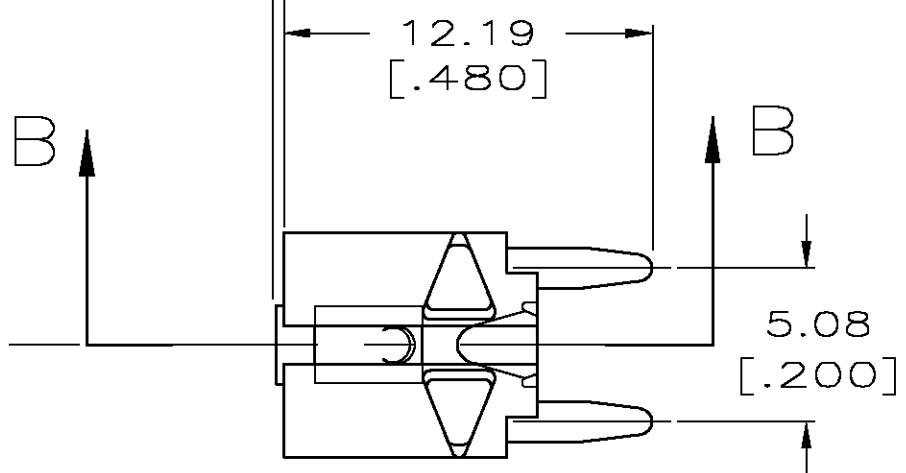


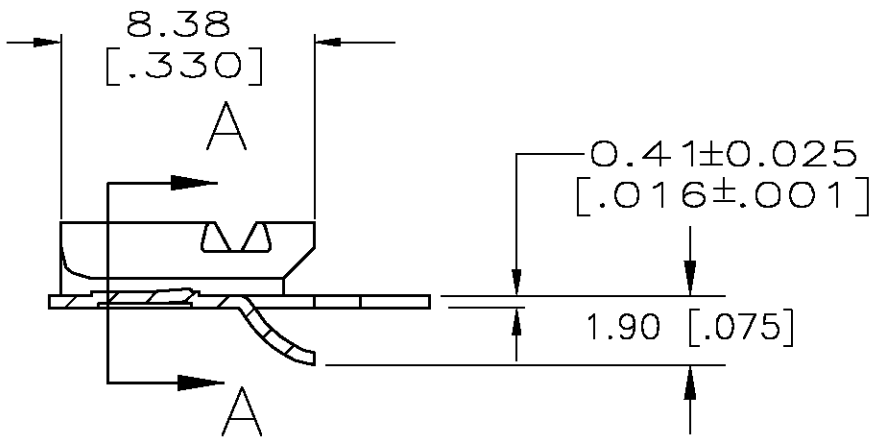
THIS DRAWING IS UNPUBLISHED. RELEASED FOR PUBLICATION
 © COPYRIGHT BY TYCO ELECTRONICS CORPORATION. ALL RIGHTS RESERVED.

LOC	DIST	REVISIONS			
P	LTR	DESCRIPTION	DATE	DWN	APVD
AF	50	B	REV PER 0G3A-0106-05	22APR05	JR PD

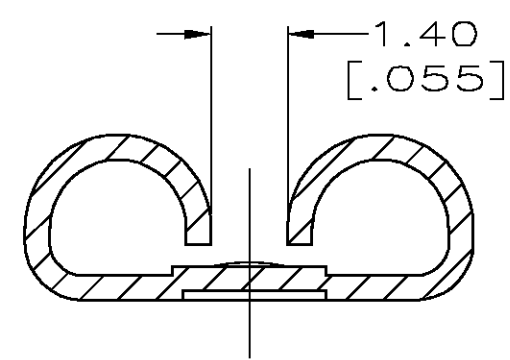
0.25 [.010]
MAX CUT-OFF



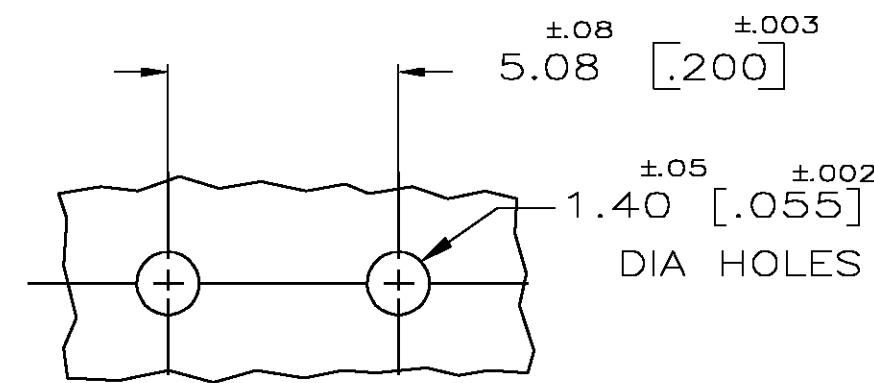
- 1 SUPPLIED IN LOOSE PIECE FORM.
- 2 0.00254 [.000100] MIN THK TIN OVER 0.00254 [.000100] MIN THK COPPER, OR OVER 0.00127 [.000050] MIN NICKEL.
- 3 MATING TAB THK IS 0.81±0.025 [.032±.001].



SECTION B-B



SECTION A-A
SCALE 8:1



RECOMMENDED
P.C.B. HOLES

1217080-1
PART NO.

THIS DRAWING IS A CONTROLLED DOCUMENT.		DWN JR RUTH 3/30/98	Tyco Electronics Corporation Harrisburg, Pa 17105-3608		
DIMENSIONS: MM [INCHES]		CHK MS FEHER 3/30/98			
TOLERANCES UNLESS OTHERWISE SPECIFIED:		APVD D BRATINA 3/30/98	NAME RECEPTACLE, FASTON, 6.35/5.21 [.250/.205] SERIES, PC BOARD MOUNTED		
0 PLC ± - 1 PLC ± - 2 PLC ± 0.25 [.010] 3 PLC ± - 4 PLC ± - ANGLES ± -		PRODUCT SPEC -	SIZE A3	CAGE CODE 00779	DRAWING NO C-1217080
MATERIAL H04 BRASS		FINISH - 2	APPLICATION SPEC -	RESTRICTED TO -	SCALE 4:1
CUSTOMER DRAWING			SHEET 1	OF 1	REV B