

Finger - and  
U-shaped  
heatsinks

Attachables

Extruded  
with solderpin

Extruded  
standard length

CPU  
heatsinks

Profiles

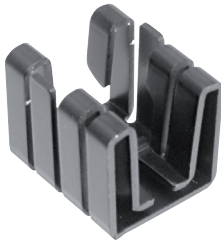
Retaining  
springs

Mounting  
accessories

Distance  
spacers

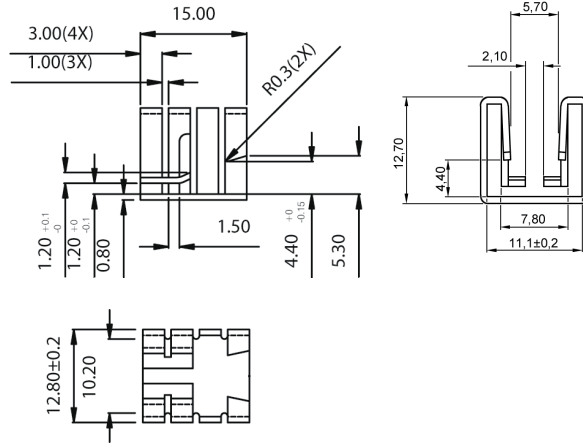
Fans

Technical  
explanation



### Wärmewiderstand

Thermal resistance: 26 K/W



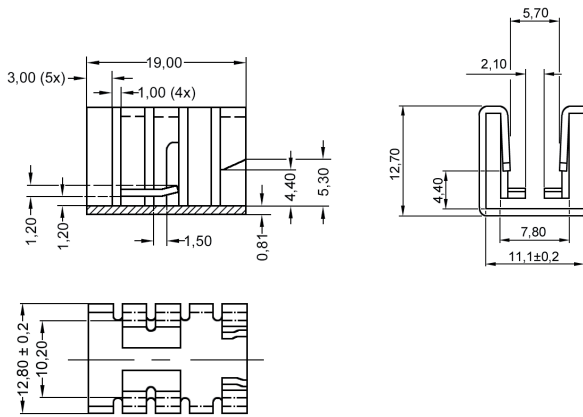
Bestellcode  
Ordercode

**V 8508 G**



### Wärmewiderstand

Thermal resistance: 21 K/W



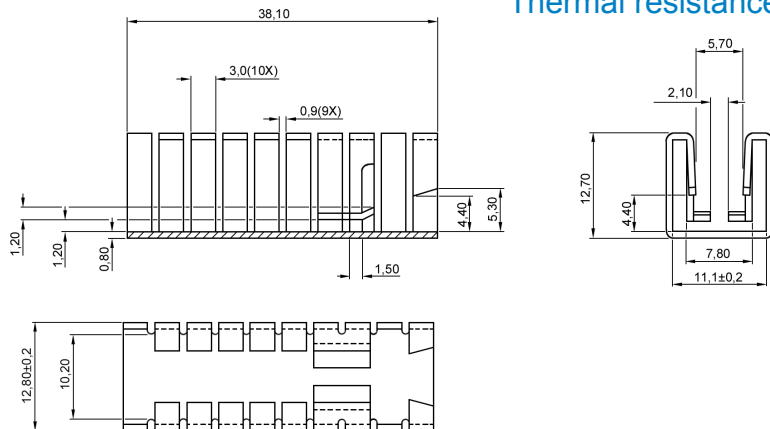
Bestellcode  
Ordercode

**V 8508 A**



### Wärmewiderstand

Thermal resistance: 16 K/W



Bestellcode  
Ordercode

**V 8508 E**

Alle Typen werden in schwarz eloxierter Ausführung geliefert  
All types will be delivered in black anodized finish