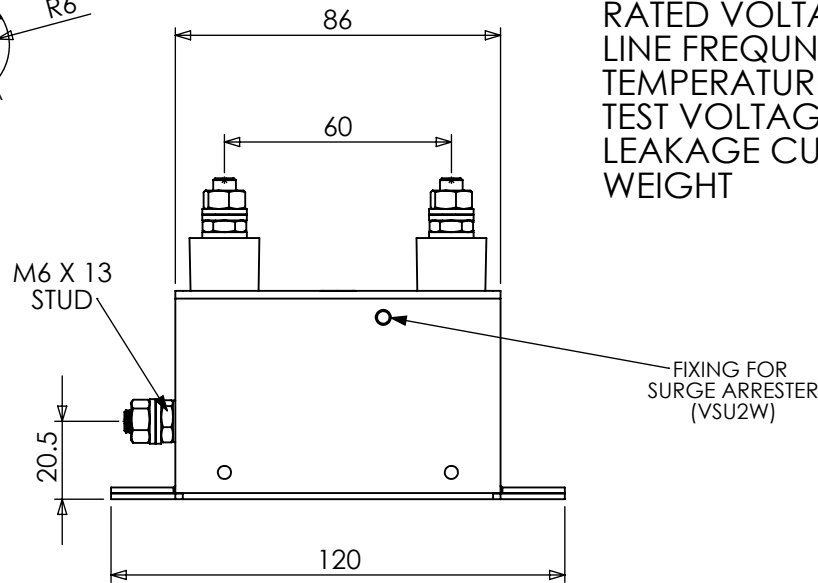
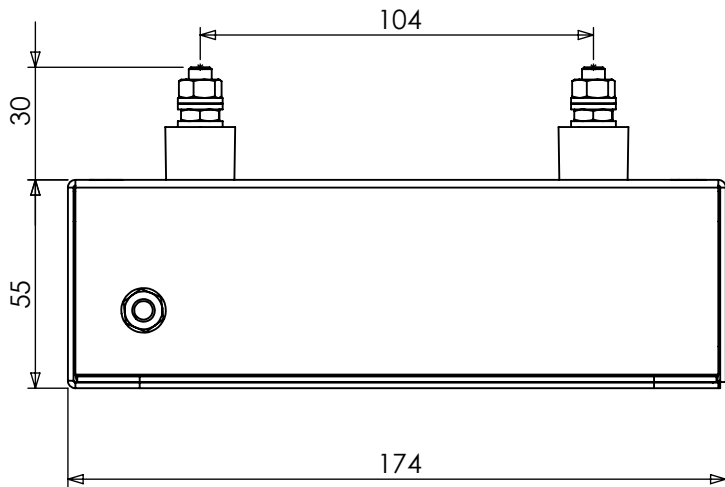
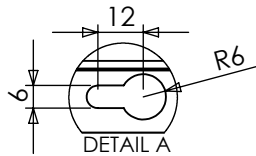


TYPE	CURRENT I(RMS) @40 °C	INDUCTANCE (L)	RESISTANCE (R) PER WINDING	STUD SIZE	INSERTION LOSS @ 150 kHz COMMON MODE	INSERTION LOSS @ 150 kHz DIFFERENTIAL MODE
MDF18	18A	6.40mH	15.0mR	M6	99dB	42dB
MDF25	25A	4.40mH	8.5mR	M6	96dB	39dB
MDF36	36A	2.50mH	3.8mR	M6	91dB	34dB
MDF50	50A	1.10mH	2.0mR	M6	84dB	27dB



### ELECTRICAL SPECIFICATION

RATED VOLTAGE 240V  
 LINE FREQUENCY 50/60Hz  
 TEMPERATURE RANGE -25 TO 85 °C  
 TEST VOLTAGE 2.0KV DC  
 LEAKAGE CURRENT 200mA @ 250V 50 Hz  
 WEIGHT 1.75KG

RoHS  
 2002/95/EC  
 Compliant