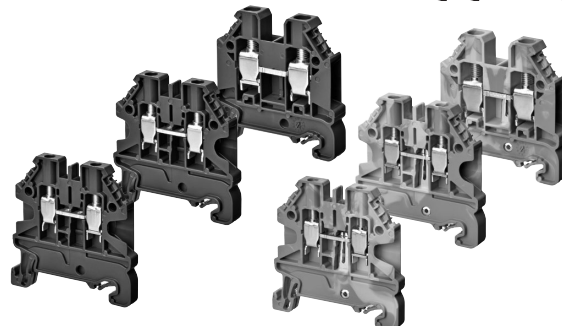


DIN Track Terminal Blocks with Screw Terminals XW5T-S

Global-standard DIN Terminal Blocks for Control Panels

- Wires held in with screws.
- Compatible with a wide range of wire sizes from 0.14 to 185 mm².
- Terminal Blocks with Fuses and Disconnect Terminal Blocks are available.



Refer to *Safety Precautions* on page 14.

Refer to your OMRON website for the most recent information on models that are certified for standards.

Model Number Legend




Feed Through Terminal Blocks

XW5T - S □ □ - □ □ - □ □ □
(1) (2) (3) (4)

(1) Nominal Cross Section

2.5: 2.5mm²
4.0: 4.0mm²
6.0: 6.0mm²
10: 10mm²
16: 16mm²
35: 35mm²
70: 70mm²
150: 150mm²

(2) Wiring

1.1:1:1 
1.2:1:2 
2.2:2:2 

Grounding Terminal Blocks

XW5G - S □ □ - □ □ - □ □
(1) (2) (3)

(3) Number of Tiers

1: 1 tier
2: 2 tiers

(4) Color

Blank: Dark gray
BL: Blue
V: Black (Vertical Connection)

XW5T-S

Ordering Information

Product type	Applicable wire sizes	Applicable wire sizes with ferrules attached	Color	Wiring	Number of tiers	Model	Minimum order
Feed Through Terminal Blocks	0.14mm ² - 4mm ² AWG26-AWG12	0.5mm ² - 2.5mm ² AWG20-AWG14	Dark gray	1:1	1 tier	XW5T-S2.5-1.1-1	100
			Blue	1:1		XW5T-S2.5-1.1-1BL	100
			Dark gray	1:1	2 tiers	XW5T-S2.5-1.1-2	100
			Dark gray	1:1		XW5T-S2.5-1.1-2V	100
	0.14mm ² - 6mm ² AWG26-AWG10	0.5mm ² - 4mm ² AWG20-AWG12	Dark gray	1:1	1 tier	XW5T-S4.0-1.1-1	100
				1:2		XW5T-S4.0-1.2-1	100
				2:2	XW5T-S4.0-2.2-1	100	
				1:1	2 tiers	XW5T-S4.0-1.1-2	100
			1:1	XW5T-S4.0-1.1-2V		100	
			Blue	1:1	1 tier	XW5T-S4.0-1.1-1BL	100
				1:2		XW5T-S4.0-1.2-1BL	100
				2:2		XW5T-S4.0-2.2-1BL	100
	0.2mm ² - 10mm ² AWG24-AWG8	0.5mm ² - 6mm ² AWG20-AWG10	Dark gray	1:1	1 tier	XW5T-S6.0-1.1-1	100
			Blue	1:1	1 tier	XW5T-S6.0-1.1-1BL	100
	0.5mm ² - 16mm ² AWG20-AWG6	0.5mm ² - 10mm ² AWG20-AWG8	Dark gray	1:1	1 tier	XW5T-S10-1.1-1	50
			Blue	1:1	1 tier	XW5T-S10-1.1-1BL	50
	4mm ² - 25mm ² AWG12-AWG4	4mm ² - 16mm ² AWG12-AWG6	Dark gray	1:1	1 tier	XW5T-S16-1.1-1	50
			Blue	1:1	1 tier	XW5T-S16-1.1-1BL	50
	10mm ² - 50mm ² AWG10-AWG1/0	10mm ² - 35mm ² AWG10-AWG2	Dark gray	1:1	1 tier	XW5T-S35-1.1-1	20
			Blue	1:1	1 tier	XW5T-S35-1.1-1BL	20
10mm ² - 95mm ² AWG6-AWG2/0	10mm ² - 70mm ² AWG6-AWG2/0	Dark gray	1:1	1 tier	XW5T-S70-1.1-1	20	
		Blue	1:1	1 tier	XW5T-S70-1.1-1BL	20	
35mm ² - 185mm ² AWG2/0-350kcmil	35mm ² - 150mm ² AWG2/0-300kcmil	Dark gray	1:1	1 tier	XW5T-S150-1.1-1	10	
		Blue	1:1	1 tier	XW5T-S150-1.1-1BL	10	
Grounding Terminal Blocks	0.14mm ² - 4mm ² AWG26-AWG12	0.5mm ² - 2.5mm ² AWG20-AWG14	Green/yellow	1:1	1 tier	XW5G-S2.5-1.1-1	100
				1:1		XW5G-S4.0-1.1-1	100
				1:2	1 tier	XW5G-S4.0-1.2-1	100
				2:2		XW5G-S4.0-2.2-1	100
	0.14mm ² - 6mm ² AWG26-AWG10	0.5mm ² - 4mm ² AWG20-AWG12		1:1	2 tiers	XW5G-S4.0-1.1-2	100
				0.2mm ² - 10mm ² AWG24-AWG8	0.5mm ² - 6mm ² AWG20-AWG10	1:1	1 tier
	0.5mm ² - 16mm ² AWG20-AWG6	0.5mm ² - 10mm ² AWG20-AWG8		1:1	1 tier	XW5G-S10-1.1-1	50
	4mm ² - 25mm ² AWG12-AWG4	4mm ² - 16mm ² AWG12-AWG6		1:1	1 tier	XW5G-S16-1.1-1	50
10mm ² - 50mm ² AWG10-AWG1/0	10mm ² - 35mm ² AWG24-AWG2	1:1	1 tier	XW5G-S35-1.1-1	20		
10mm ² - 95mm ² AWG6-AWG2/0	10mm ² - 70mm ² AWG6-AWG2/0	1:1	1 tier	XW5G-S70-1.1-1	20		
Terminal Blocks with Fuses	0.5mm ² - 4mm ² AWG20-AWG12	0.14mm ² - 2.5mm ² AWG26-AWG14	Dark gray	1:1	1 tier	XW5T-S4.0-FU5	50
						XW5T-S4.0-FU6	50
Disconnect Terminal Blocks						XW5T-S4.0-KD	100

Accessories

Short Bars

For XW5□-S2.5-□

No. of poles	Color	Model	Minimum order
2	Yellow (YL)	XW5S-S2.5-2	10
3		XW5S-S2.5-3	10
4		XW5S-S2.5-4	10
5		XW5S-S2.5-5	10
10		XW5S-S2.5-10	20

For XW5□-S4.0-□

No. of poles	Color	Model	Minimum order
2	Yellow (YL)	XW5S-S4.0-2	10
3		XW5S-S4.0-3	10
4		XW5S-S4.0-4	10
5		XW5S-S4.0-5	10
10		XW5S-S4.0-10	20

For XW5□-S6.0-□

No. of poles	Color	Model	Minimum order
2	Yellow (YL)	XW5S-S6.0-2	10
3		XW5S-S6.0-3	10
4		XW5S-S6.0-4	10
5		XW5S-S6.0-5	10

For XW5□-S10-□

No. of poles	Color	Model	Minimum order
2	Yellow (YL)	XW5S-S10-2	10

For XW5□-S16-□

No. of poles	Color	Model	Minimum order
2	Yellow (YL)	XW5S-S16-2	10

Cross Connector with Screw

For XW5□-S2.5-1.1-2□

No. of poles	Color	Model	Minimum order
2	Yellow (YL)	XW5S-S2.5-2N	10
3		XW5S-S2.5-3N	10
4		XW5S-S2.5-4N	10
5		XW5S-S2.5-5N	10
10		XW5S-S2.5-10N	10

End Covers

Applicable Terminal Blocks	Model	Minimum order
XW5□-S2.5-1.1-□ XW5□-S4.0-1.1-□ XW5□-S6.0-1.1-□ XW5□-S10-1.1-□	XW5E-S2.5	10
XW5T-S16-1.1-□	XW5E-S16	10
XW5T-S4.0-KD XW5□-S4.0-1.2-1	XW5E-S4.0-1.2-1	10
XW5□-S4.0-2.2-1	XW5E-S4.0-2.2-1	10
XW5□-S4.0-1.1-2□	XW5E-S4.0-1.1-2	10
XW5T-S2.5-1.1-2□	XW5E-S2.5N	10

Separator Plates

Applicable Terminal Blocks	Model	Minimum order
XW5□-S2.5-1.1-□ XW5□-S4.0-1.1-□ XW5□-S6.0-1.1-□ XW5□-S10-1.1-□	XW5Z-S2.5PT	10

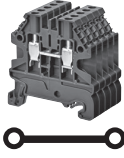
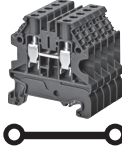
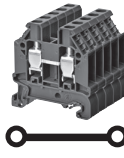
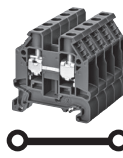
Labels


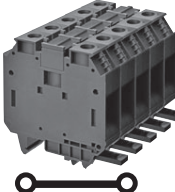
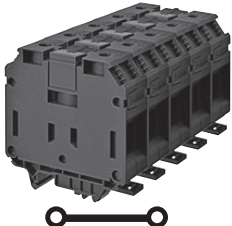
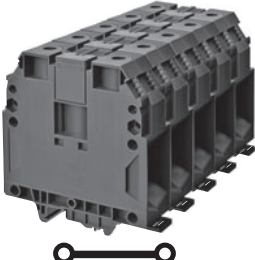
Applicable Terminal Blocks	Marking	Model	Minimum order
XW5□-S2.5-□	None	XW5Z-S2.5LB	25
	1-10	XW5Z-S2.5LB-1-10	25
	11-20	XW5Z-S2.5LB-11-20	25
	21-30	XW5Z-S2.5LB-21-30	25
	31-40	XW5Z-S2.5LB-31-40	25
	41-50	XW5Z-S2.5LB-41-50	25
	51-60	XW5Z-S2.5LB-51-60	25
	61-70	XW5Z-S2.5LB-61-70	25
	71-80	XW5Z-S2.5LB-71-80	25
	81-90	XW5Z-S2.5LB-81-90	25
	91-100	XW5Z-S2.5LB-91-100	25
	1-100	XW5Z-S2.5LB-1-100	1
	XW5□-S4.0-□	None	XW5Z-S4.0LB
1-10		XW5Z-S4.0LB-1-10	25
11-20		XW5Z-S4.0LB-11-20	25
21-30		XW5Z-S4.0LB-21-30	25
31-40		XW5Z-S4.0LB-31-40	25
41-50		XW5Z-S4.0LB-41-50	25
51-60		XW5Z-S4.0LB-51-60	25
61-70		XW5Z-S4.0LB-61-70	25
71-80		XW5Z-S4.0LB-71-80	25
81-90		XW5Z-S4.0LB-81-90	25
91-100		XW5Z-S4.0LB-91-100	25
1-100		XW5Z-S4.0LB-1-100	1
XW5□-S6.0-□		None	XW5Z-S6.0LB
	1-10	XW5Z-S6.0LB-1-10	25
	11-20	XW5Z-S6.0LB-11-20	25
	21-30	XW5Z-S6.0LB-21-30	25
	31-40	XW5Z-S6.0LB-31-40	25
	41-50	XW5Z-S6.0LB-41-50	25
	51-60	XW5Z-S6.0LB-51-60	25
	61-70	XW5Z-S6.0LB-61-70	25
	71-80	XW5Z-S6.0LB-71-80	25
	81-90	XW5Z-S6.0LB-81-90	25
	91-100	XW5Z-S6.0LB-91-100	25
	1-100	XW5Z-S6.0LB-1-100	1

XW5T-S

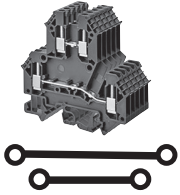
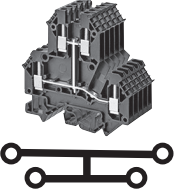
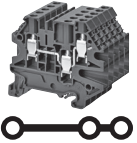
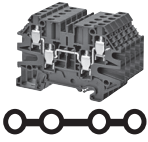
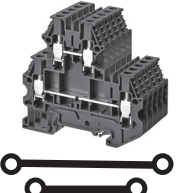
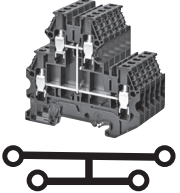
Ratings and Specifications

Feed Through Terminal Blocks

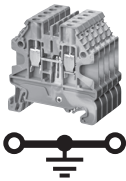
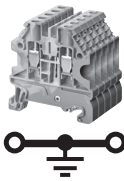
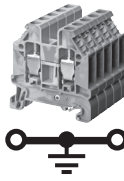
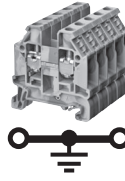

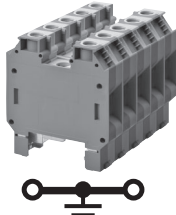
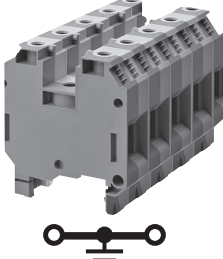
Appearance and Internal Wiring				
	1 tier, 1:1	1 tier, 1:1	1 tier, 1:1	1 tier, 1:1
Applicable wire sizes	0.14 to 4 mm ² (Stranded wires: 0.14 to 4 mm ² , Solid wire: 0.14 to 4 mm ²)	0.14 to 6.0 mm ² (Stranded wires: 0.14 to 6.0 mm ² , Solid wire: 0.14 to 6.0 mm ²)	0.2 to 10 mm ² (Stranded wires: 0.2 to 10 mm ² , Solid wire: 0.2 to 10 mm ²)	0.5 to 16 mm ² (Stranded wires: 0.5 to 16 mm ² , Solid wire: 0.5 to 16 mm ²)
Model	XW5T-S2.5-1.1-1(BL)	XW5T-S4.0-1.1-1(BL)	XW5T-S6.0-1.1-1(BL)	XW5T-S10-1.1-1(BL)
Dimensions (mm)	5×48.2×56	6×48.2×56	8×48.2×56	10×48.2×56.2
IEC rated voltage	1,000 V			
IEC rated current	24 A	32 A	41 A	57 A
UL rated voltage	600 V			
UL rated current	20 A	30 A	50 A	65 A
Rated impulse voltage	8 kV			
Operating temperature range	-40 to 55°C (with no icing or condensation)			
Operating humidity range	5% to 95%			
Compliant standards	UL, CSA IEC60947-7-1			
End Covers	XW5E-S2.5			
Applicable label	XW5Z-S2.5LB□	XW5Z-S4.0LB□	XW5Z-S6.0LB□	---
Applicable Short Bars	XW5S-S2.5-□ (□: Poles = 2, 3, 4, 5, or 10)	XW5S-S4.0-□ (□: Poles = 2, 3, 4, 5, or 10)	XW5S-S6.0-□ (□: Poles = 2, 3, 4, or 5)	XW5S-S10-□ (□: Poles = 2)
Weight	Approx. 7 g	Approx. 9 g	Approx. 14 g	Approx. 16 g

Appearance and Internal Wiring				
	1 tier, 1:1	1 tier, 1:1	1 tier, 1:1	1 tier, 1:1
Applicable wire sizes	1.5 to 25 mm ² (Stranded wires: 16 to 25 mm ² , Solid wire: 1.5 to 16 mm ²)	10 to 35 mm ² (Stranded wires: 10 to 35 mm ² , Solid wire: 10 mm ²)	10 to 70 mm ² (Stranded wires: 16 to 95 mm ²)	35 to 150 mm ² (Stranded wires: 35 to 150 mm ²)
Model	XW5T-S16-1.1-1(BL)	XW5T-S35-1.1-1(BL)	XW5T-S70-1.1-1(BL)	XW5T-S150-1.1-1(BL)
Dimensions (mm)	12×58.5×62	16×63×75.1	24×75.2×88.7	28×96×106.1
IEC rated voltage	1,000 V	800 V		1,000 V
IEC rated current	76 A	124 A	179 A	309 A
UL rated voltage	600 V			
UL rated current	85 A	150 A	175 A	335 A
Rated impulse voltage	8 kV			
Operating temperature range	-40 to 55°C (with no icing or condensation)			
Operating humidity range	5% to 95%			
Compliant standards	UL, CSA IEC60947-7-1			
End Covers	XW5E-S16		---	---
Applicable Short Bars	XW5S-S16-□ (□: Poles = 2)		---	---
Weight	Approx. 36 g	Approx. 73 g	Approx. 172 g	Approx. 268 g

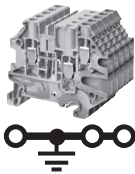
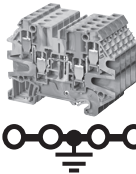
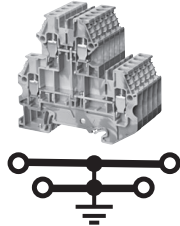
Feed Through Terminal Blocks

Appearance and Internal Wiring	2 tiers, 1:1 	2 tiers, 1:1 	1 tier, 1:2 
	Applicable wire sizes 0.5 to 2.5 mm ² (Stranded wires: 0.5 to 2.5 mm ² , Solid wire: 0.5 to 4 mm ²)	0.5 to 2.5 mm ² (Stranded wires: 0.5 to 2.5 mm ² , Solid wire: 0.5 to 4 mm ²)	0.14 to 6.0 mm ² (Stranded wires: 0.14 to 6 mm ² , Solid wire: 0.14 to 6 mm ²)
Model	XW5T-S2.5-1.1-2	XW5T-S2.5-1.1-2V	XW5T-S4.0-1.2-1(BL)
Dimensions (mm)	5×65.8×71.4		6×58×56
IEC rated voltage	500 V		
IEC rated current	24 A		32 A
UL rated voltage	600 V		300 V
UL rated current	20 A		30 A
Rated impulse voltage	8 kV		6 kV
Operating temperature range	-40 to 55°C (with no icing or condensation)		
Operating humidity range	5% to 95%		
Compliant standards	UL, CSA IEC60947-7-1		
End Covers	XW5E-S2.5N		XW5E-S4.0-1.2-1
Applicable label	XW5Z-2.5LB□		XW5Z-4.0LB□
Applicable Short Bars	XW5S-S2.5-□N (□: Poles = 2, 3, 4, 5, or 10)		XW5S-S4-□ (□: Poles = 2, 3, 4, 5, or 10)
Weight	Approx. 12 g	Approx. 14 g	Approx. 13 g
Appearance and Internal Wiring	1 tier, 2:2 	2 tiers, 1:1 	2 tiers, 1:1 
	Applicable wire sizes 0.14 to 6.0 mm ² (Stranded wires: 0.14 to 6 mm ² , Solid wire: 0.14 to 6 mm ²)	0.14 to 6.0 mm ² (Stranded wires: 0.14 to 6 mm ² , Solid wire: 0.14 to 6 mm ²)	
Model	XW5T-S4.0-2.2-1(BL)	XW5T-S4.0-1.1-2	XW5T-S4.0-1.1-2V
Dimensions (mm)	6×69×58	6×73×75	
IEC rated voltage	500 V	800 V	
IEC rated current	32 A		
UL rated voltage	300 V		
UL rated current	30 A		
Rated impulse voltage	6 kV	8 kV	
Operating temperature range	-40 to 55°C (with no icing or condensation)		
Operating humidity range	5% to 95%		
Compliant standards	UL, CSA IEC60947-7-1		
End Covers	XW5E-S4.0-2.2-1	XW5E-S4.0-1.1-2	
Applicable label	XW5Z-4.0LB□		
Applicable Short Bars	XW5S-S4-□ (□: Poles = 2, 3, 4, 5, or 10)		
Weight	Approx. 16 g	Approx. 18 g	Approx. 19 g



Grounding Terminal Blocks

Appearance and Internal Wiring				
	0.14 to 4 mm ² (Stranded wires: 0.14 to 4 mm ² , Solid wire: 0.14 to 4 mm ²)	0.14 to 6.0 mm ² (Stranded wires: 0.14 to 6.0 mm ² , Solid wire: 0.14 to 6.0 mm ²)	0.2 to 10 mm ² (Stranded wires: 0.2 to 10 mm ² , Solid wire: 0.2 to 10 mm ²)	0.5 to 16 mm ² (Stranded wires: 0.5 to 16 mm ² , Solid wire: 0.5 to 16 mm ²)
Model	XW5G-S2.5-1.1-1	XW5G-S4.0-1.1-1	XW5G-S6.0-1.1-1	XW5G-S10-1.1-1
Dimensions (mm)	5×48.2×56	6×48.2×56	8×48.2×56	10×48.2×56.2
IEC rated voltage	600 V			1,000 V
UL rated voltage	600 V			
Rated impulse voltage	8 kV			
Operating temperature range	-40 to 55°C (with no icing or condensation)			
Operating humidity range	5% to 95%			
Compliant standards	UL			
	IEC60947-7-2			
End Covers	XW5E-S2.5			
Applicable label	XW5Z-S2.5LB□	XW5Z-S4.0LB□	XW5Z-S6.0LB□	---
Weight	Approx. 10 g	Approx. 12 g	Approx. 20 g	Approx. 22 g
Appearance and Internal Wiring				
	1.5 to 25 mm ² (Stranded wires: 16 to 25 mm ² , Solid wire: 1.5 to 16 mm ²)	10 to 35 mm ² (Stranded wires: 10 to 35 mm ² , Solid wire: 10 to 50 mm ²)	10 to 70 mm ² (Stranded wires: 10 to 70 mm ² , Solid wire: 16 to 95 mm ²)	
Model	XW5G-S16-1.1-1	XW5G-S35-1.1-1	XW5G-S70-1.1-1	
Dimensions (mm)	12×58.5×62	16×63×75.1	24×75.2×88.7	
IEC rated voltage	1,000 V			
UL rated voltage	600 V			
Rated impulse voltage	8 kV			
Operating temperature range	-40 to 55°C (with no icing or condensation)			
Operating humidity range	5% to 95%			
Compliant standards	UL			
	IEC60947-7-2			
End Covers	XW5E-S16	---		
Weight	Approx. 47 g	Approx. 119 g	Approx. 233 g	


Grounding Terminal Blocks

Appearance and Internal Wiring	1 tier, 1:2	1 tier, 2:2	2 tiers, 1:1
			
Applicable wire sizes	0.14 to 6.0mm ² (Stranded wires: 0.14 to 6 mm ² , Solid wire: 0.14 to 6 mm ²)	0.14 to 6.0 mm ² (Stranded wires: 0.14 to 6 mm ² , Solid wire: 0.14 to 6 mm ²)	0.14 to 6.0 mm ² (Stranded wires: 0.14 to 6 mm ² , Solid wire: 0.14 to 6 mm ²)
Model	XW5G-S4.0-1.2-1	XW5G-S4.0-2.2-1	XW5G-S4.0-1.1-2
Dimensions (mm)	6×58×56	6×69×58	6×73×75
IEC rated voltage	500 V		800 V
UL rated voltage	300 V		
Rated impulse voltage	6 kV		
Operating temperature range	-40 to 55°C (with no icing or condensation)		
Operating humidity range	5% to 95%		
Compliant standards	UL IEC60947-7-2		
End Covers	XW5E-S4.0-1.2-1	XW5E-S4.0-2.2-1	XW5E-S4.0-1.1-2
Applicable label	XW5Z-4.0LB□		
Weight	Approx. 15 g	Approx. 19 g	Approx. 22 g

Terminal Blocks with Fuses

Model	XW5T-S4.0-FU5	XW5T-S4.0-FU6
Appearance and Internal Wiring		
Applicable wire sizes	0.5 to 6.0mm ² (Stranded wires: 0.5 to 4.0 mm ² , Solid wire: 0.5 to 6.0 mm ²)	
Rated voltage	800 V	
Rated current	6.3 A	10 A
UL rated voltage	600 V	
UL rated current	6.3 A	10 A
Rated impulse voltage	8 kV	
Operating temperature range	-40 to 55°C	
Operating humidity range	5% to 95%	
Compliant standards	UL, CSA	
End Covers	---	
Applicable label	---	

Disconnect Terminal Blocks

Model	XW5T-S4.0-KD
Appearance and Internal Wiring	
Applicable wire sizes	0.14 to 6.0mm ² (Stranded wires: 0.14 to 6.0 mm ² , Solid wire: 0.14 to 6.0 mm ²)
Rated voltage	500 V
Rated current	20 A
UL rated voltage	300 V
UL rated current	16 A
Rated impulse voltage	6 kV
Operating temperature range	-40 to 55°C
Operating humidity range	5% to 95%
Compliant standards	IEC60947-7-1, UL, CSA
End Covers	XW5E-S4.0-1.2-1
Applicable Short Bars	XW5S-S4.0-□
Applicable label	XW5Z-S4.0LB□

Short Bar

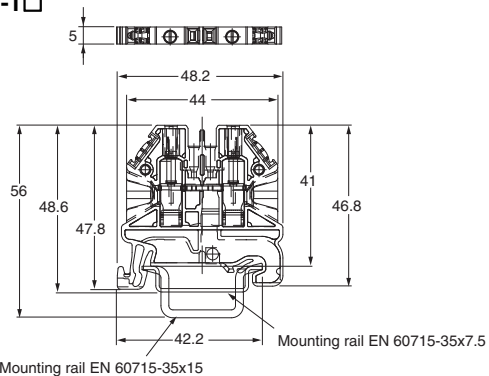
Model	XW5S-S2.5-□	XW5S-S4.0-□	XW5S-S6.0-□	XW5S-S10-□	XW5S-S16-□
IEC rated voltage	600 V			1,000 V	
IEC rated current	20 A	30 A	50 A	57 A	76 A
UL rated voltage	600 V				
UL rated current	20 A	30 A	50 A	65 A	85 A
Compliant standards	UL IEC60947-7-1				

XW5T-S

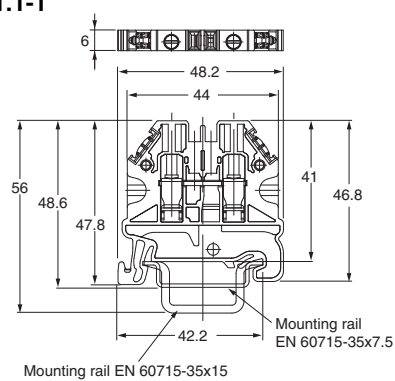
Dimensions

(Unit: mm)

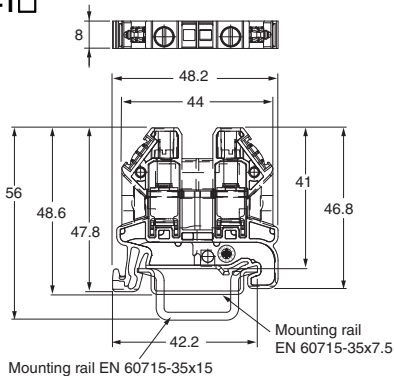
XW5□-□2.5-1.1-1□



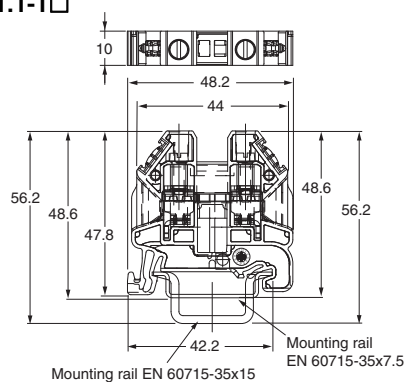
XW5□-S4.0-1.1-1



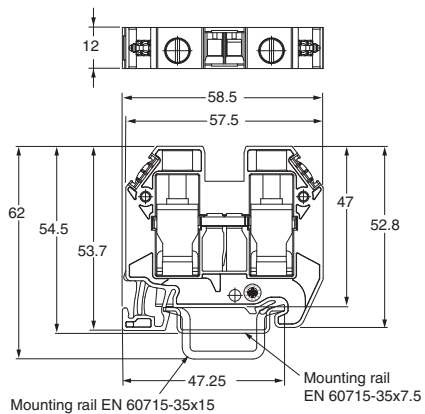
XW5□-S6.0-1.1-1□



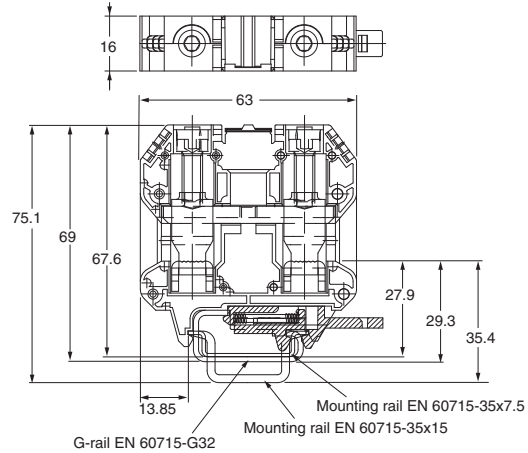
XW5□-S10-1.1-1□



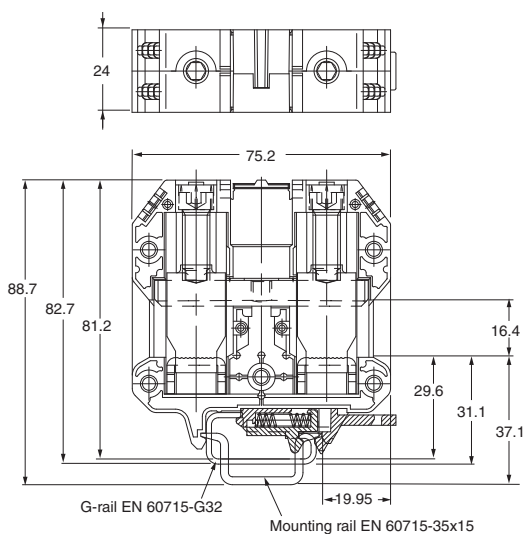
XW5□-S16-1.1-1□



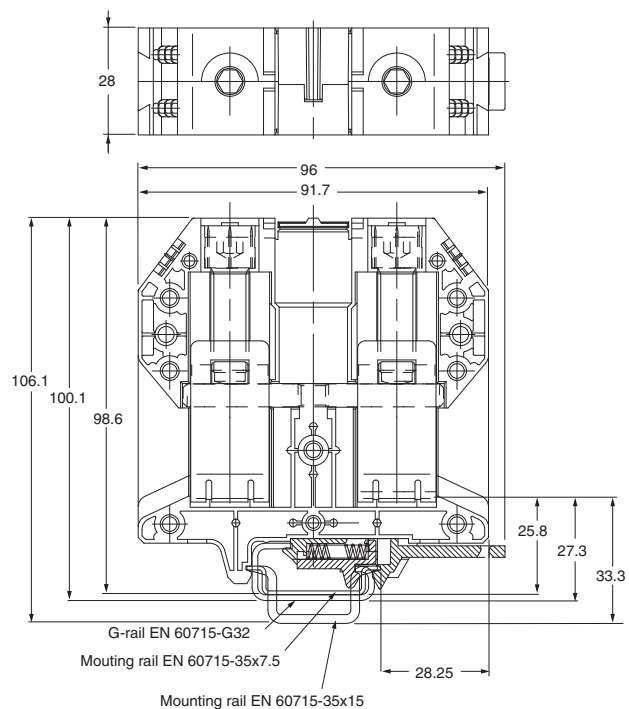
XW5□-S35-1.1-1□



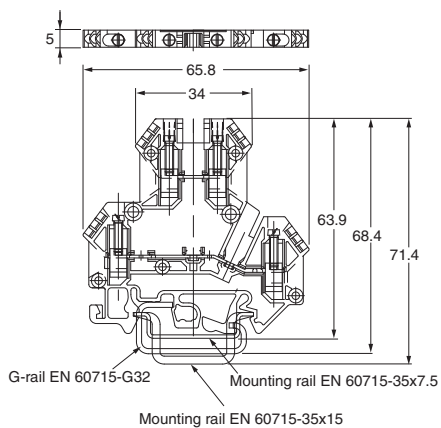
XW5□-S70-1.1-1□



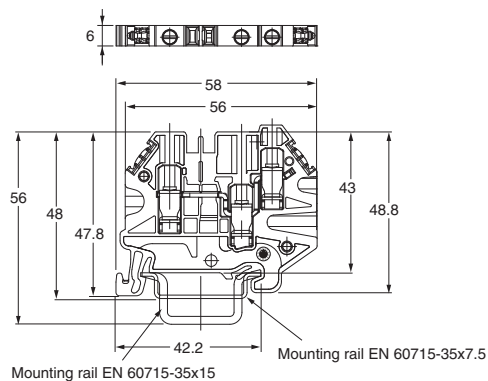
XW5□-S150-1.1-1□



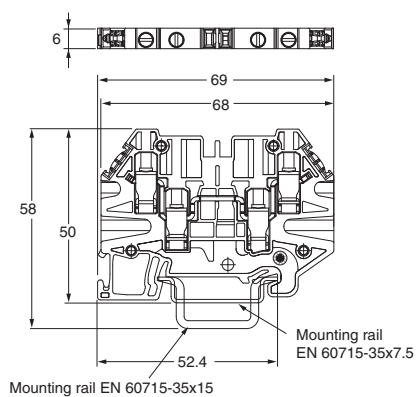
XW5□-S2.5-1.1-2□



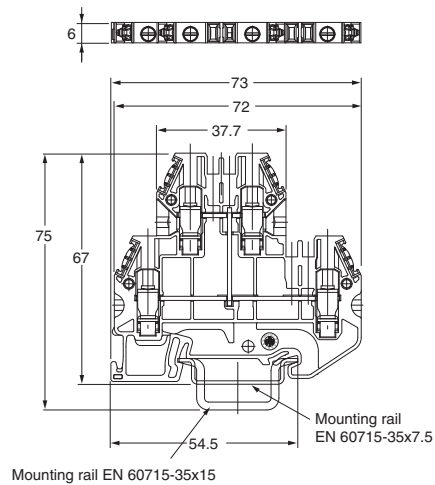
XW5□-S4.0-1.2-1



XW5□-S4.0-2.2-1

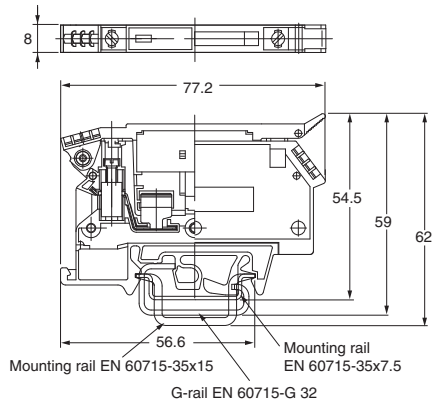


XW5□-S4.0-1.1-2□

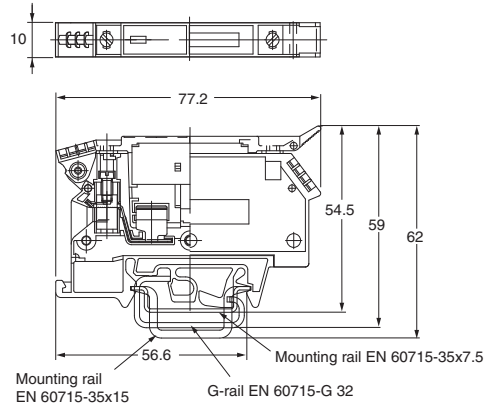


XW5T-S

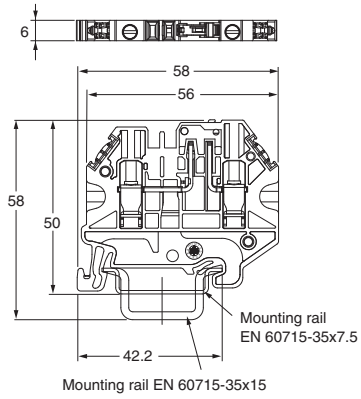
XW5T-S4.0-FU5



XW5T-S4.0-FU6

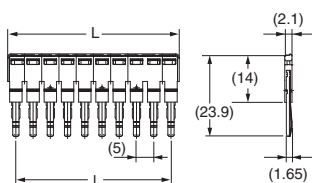


XW5T-S4.0-KD



Short Bars

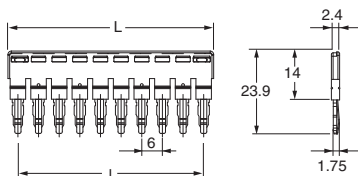
XW5S-S2.5-□



For XW5□-S2.5-□

Model	l (mm)	L (mm)
XW5S-S2.5-2	5	10
XW5S-S2.5-3	10	15
XW5S-S2.5-4	15	20
XW5S-S2.5-5	20	25
XW5S-S2.5-10	45	50

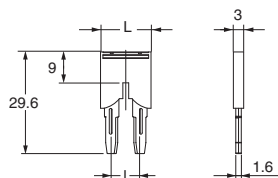
XW5S-S4.0-□



For XW5□-S4.0-□

Model	l (mm)	L (mm)
XW5S-S4.0-2	6	12
XW5S-S4.0-3	12	18
XW5S-S4.0-4	18	24
XW5S-S4.0-5	24	30
XW5S-S4.0-10	54	60

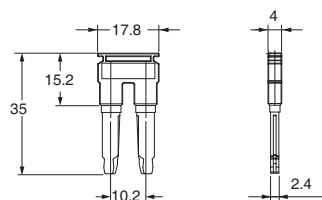
XW5S-S6.0-□



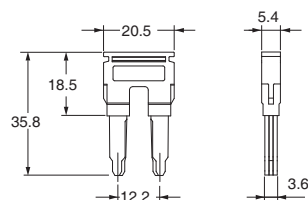
For XW5□-S6.0-□

Model	l (mm)	L (mm)
XW5S-S6.0-2	8.2	14.7
XW5S-S6.0-3	16.4	22.9
XW5S-S6.0-4	24.6	31.1
XW5S-S6.0-5	32.8	39.3

XW5S-S10-2

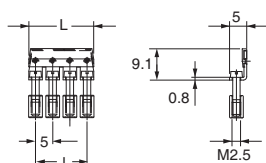


XW5S-S16-2



Cross Connector with Screw

XW5S-S2.5-□N



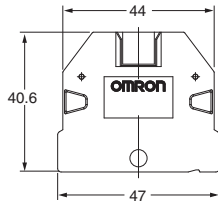
For XW5□-S2.5-1.1-2□

Model	l (mm)	L (mm)
XW5S-S2.5-2N	5	8.9
XW5S-S2.5-3N	10	13.9
XW5S-S2.5-4N	15	18.9
XW5S-S2.5-5N	20	23.9
XW5S-S2.5-10N	45	48.9

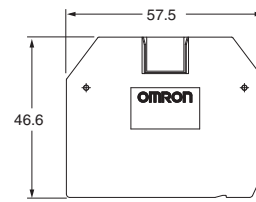
XW5T-S

End Covers

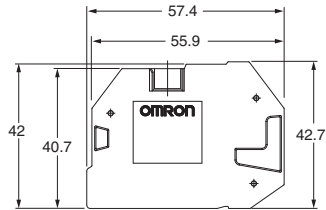
XW5E-S2.5



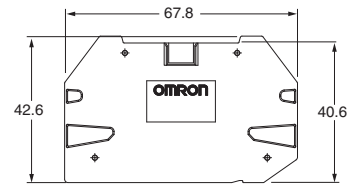
XW5E-S16



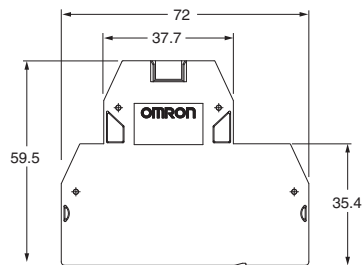
XW5E-S4.0-1.2-1



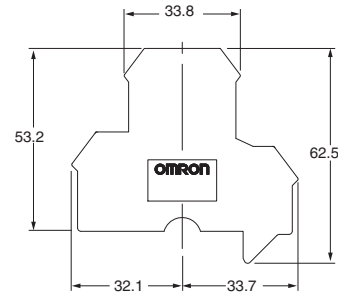
XW5E-S4.0-2.2-1



XW5E-S4.0-1.1-2

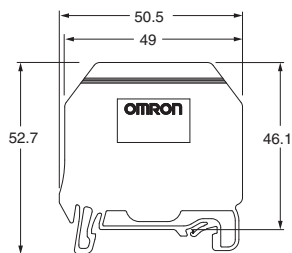


XW5E-S2.5N

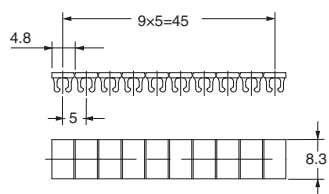


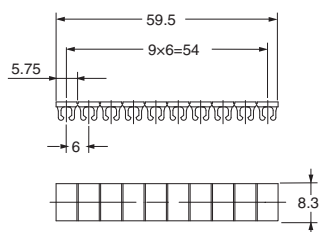
Separator Plates

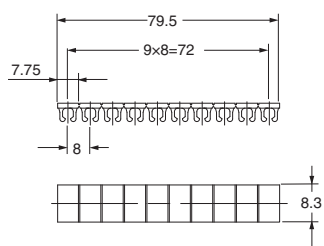
XW5Z-S2.5PT



Label

XW5Z-S2.5□

XW5Z-S4.0□

XW5Z-S6.0□

Safety Precautions

Be sure to read the precautions for all models in the website at the following URL: <http://www.ia.omron.com/>.

Signal Word Definitions

Precautions for Safe Use	Supplementary comments on what to do or avoid doing, to use the product safely.
Precautions for Correct Use	Supplementary comments on what to do or avoid doing, to prevent failure to operate, malfunction, or undesirable effects on product performance.

Precautions for Safe Use

- Do not bend a wire past its natural bending radius or pull on it with excessive force.
Doing so may cause the wire disconnection.
- Do not insert more than one wire into each terminal insertion hole.
- Before you start wiring, make sure that the Terminal Block is securely attached and mounted to a DIN Track.
If the Terminal Block is not stable, it may fall and possibly injure a worker.
- Do not install the Terminal Block upside down when mounting multiple Terminal Blocks.
Doing so may cause short circuits with the adjacent Terminal Block.

Precautions for Correct Use

1. Precautions for Correct Use

- Do not drop the Terminal Block. Terminal Block functionality may be inhibited.
- Always attach End Cover. Not doing so may cause electrical shock.
- When you wire the Terminal Block, do not subject it or the wires to stress. Secure the wires so that they do not resonate with vibrations from the facilities in installation conditions.
- Always turn OFF the power supply before wiring. Electrical shock may occur.

2. Connecting Wires to the Terminal Block

Wiring

- Double-check all wiring before turning ON the power supply.
- After wiring, route the cable so that force is not applied directly to the connections.

Wires for Terminal Blocks

- Do not damage the cores when stripping the insulation from them.
- Always twist stranded wires together before connecting them.
- Do not presolder wires. It may not be possible to connect them or remove them.

Screw Tightening Torque and Applicable Wires

When you connect wires to a Terminal Block, use the applicable wires and tightening torque given in the following table.

Model	Wiring method	Tightening torque [N·m] (Use a flat-blade screwdriver.)	Applicable wire sizes	Applicable wire sizes with ferrules attached
XW5□-S2.5	M2.5	0.4	AWG26-AWG12	AWG20-AWG14
XW5□-S4.0	M3	0.5	AWG26-AWG10	AWG20-AWG12
XW5□-S6.0	M4	1.2	AWG24-AWG8	AWG20-AWG10
XW5□-S10	M4	1.2	AWG20-AWG6	AWG20-AWG8
XW5□-S16	M5	2	AWG12-AWG4	AWG12-AWG6
XW5□-S35	M6	2.5	AWG10-AWG1/0	AWG10-AWG2
XW5□-S70	M8	3.5	AWG6-AWG2/0	AWG6-AWG2/0
XW5□-S150	M10	4	AWG2/0-350kcmil	AWG2/0-300kcmil

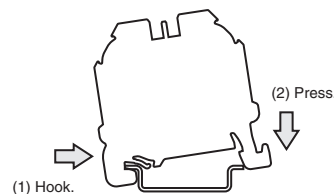
Wire Stripping Lengths

If you connect wires directly to the terminals, use the following stripping lengths.

Model	Stripping length [mm]
XW5□-S2.5	9
XW5□-S4.0	9
XW5□-S6.0	11
XW5□-S10	13
XW5□-S16	15
XW5□-S35	18
XW5□-S70	24
XW5□-S150	30

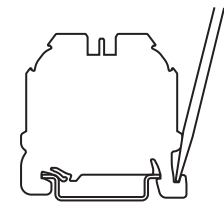
3. Mounting to and Removing from DIN Track

Mounting Procedure



- Hook the Unit on the DIN Track.
- Press the Unit onto the DIN Track to secure it.

Removal Procedure



- Insert a flat-blade screwdriver into the DIN Track lock.
- Move the screwdriver like a lever to free the lock.

Terms and Conditions of Sale

1. **Offer; Acceptance.** These terms and conditions (these "**Terms**") are deemed part of all quotes, agreements, purchase orders, acknowledgments, price lists, catalogs, manuals, brochures and other documents, whether electronic or in writing, relating to the sale of products or services (collectively, the "**Products**") by Omron Electronics LLC and its subsidiary companies ("**Omron**"). Omron objects to any terms or conditions proposed in Buyer's purchase order or other documents which are inconsistent with, or in addition to, these Terms.
2. **Prices; Payment Terms.** All prices stated are current, subject to change without notice by Omron. Omron reserves the right to increase or decrease prices on any unshipped portions of outstanding orders. Payments for Products are due net 30 days unless otherwise stated in the invoice.
3. **Discounts.** Cash discounts, if any, will apply only on the net amount of invoices sent to Buyer after deducting transportation charges, taxes and duties, and will be allowed only if (i) the invoice is paid according to Omron's payment terms and (ii) Buyer has no past due amounts.
4. **Interest.** Omron, at its option, may charge Buyer 1-1/2% interest per month or the maximum legal rate, whichever is less, on any balance not paid within the stated terms.
5. **Orders.** Omron will accept no order less than \$200 net billing.
6. **Governmental Approvals.** Buyer shall be responsible for, and shall bear all costs involved in, obtaining any government approvals required for the importation or sale of the Products.
7. **Taxes.** All taxes, duties and other governmental charges (other than general real property and income taxes), including any interest or penalties thereon, imposed directly or indirectly on Omron or required to be collected directly or indirectly by Omron for the manufacture, production, sale, delivery, importation, consumption or use of the Products sold hereunder (including customs duties and sales, excise, use, turnover and license taxes) shall be charged to and remitted by Buyer to Omron.
8. **Financial.** If the financial position of Buyer at any time becomes unsatisfactory to Omron, Omron reserves the right to stop shipments or require satisfactory security or payment in advance. If Buyer fails to make payment or otherwise comply with these Terms or any related agreement, Omron may (without liability and in addition to other remedies) cancel any unshipped portion of Products sold hereunder and stop any Products in transit until Buyer pays all amounts, including amounts payable hereunder, whether or not then due, which are owing to it by Buyer. Buyer shall in any event remain liable for all unpaid accounts.
9. **Cancellation; Etc.** Orders are not subject to rescheduling or cancellation unless Buyer indemnifies Omron against all related costs or expenses.
10. **Force Majeure.** Omron shall not be liable for any delay or failure in delivery resulting from causes beyond its control, including earthquakes, fires, floods, strikes or other labor disputes, shortage of labor or materials, accidents to machinery, acts of sabotage, riots, delay in or lack of transportation or the requirements of any government authority.
11. **Shipping; Delivery.** Unless otherwise expressly agreed in writing by Omron:
 - a. Shipments shall be by a carrier selected by Omron; Omron will not drop ship except in "break down" situations.
 - b. Such carrier shall act as the agent of Buyer and delivery to such carrier shall constitute delivery to Buyer;
 - c. All sales and shipments of Products shall be FOB shipping point (unless otherwise stated in writing by Omron), at which point title and risk of loss shall pass from Omron to Buyer; provided that Omron shall retain a security interest in the Products until the full purchase price is paid;
 - d. Delivery and shipping dates are estimates only; and
 - e. Omron will package Products as it deems proper for protection against normal handling and extra charges apply to special conditions.
12. **Claims.** Any claim by Buyer against Omron for shortage or damage to the Products occurring before delivery to the carrier must be presented in writing to Omron within 30 days of receipt of shipment and include the original transportation bill signed by the carrier noting that the carrier received the Products from Omron in the condition claimed.
13. **Warranties.** (a) **Exclusive Warranty.** Omron's exclusive warranty is that the Products will be free from defects in materials and workmanship for a period of twelve months from the date of sale by Omron (or such other period expressed in writing by Omron). Omron disclaims all other warranties, express or implied. (b) **Limitations.** OMRON MAKES NO WARRANTY OR REPRESENTATION, EXPRESS OR IMPLIED, ABOUT NON-INFRINGEMENT, MERCHANTABILITY OR FITNESS FOR A PARTICULAR PURPOSE OF THE PRODUCTS. BUYER ACKNOWLEDGES THAT IT ALONE HAS DETERMINED THAT THE PRODUCTS WILL SUITABLY MEET THE REQUIREMENTS OF THEIR INTENDED USE. Omron further disclaims all warranties and responsibility of any type for claims or expenses based on infringement by the Products or otherwise of any intellectual property right. (c) **Buyer Remedy.** Omron's sole obligation hereunder shall be, at Omron's election, to (i) replace (in the form originally shipped with Buyer responsible for labor charges for removal or replacement thereof) the non-complying Product, (ii) repair the non-complying Product, or (iii) repay or credit Buyer an amount equal to the purchase price of the non-complying Product; provided that in no event shall Omron be responsible for warranty, repair, indemnity or any other claims or expenses regarding the Products unless Omron's analysis confirms that the Products were properly handled, stored, installed and maintained and not subject to contamination, abuse, misuse or inappropriate modification. Return of any Products by Buyer must be approved in writing by Omron before shipment. Omron Companies shall not be liable for the suitability or unsuitability or the results from the use of Products in combination with any electrical or electronic components, circuits, system assemblies or any other materials or substances or environments. Any advice, recommendations or information given orally or in writing, are not to be construed as an amendment or addition to the above warranty. See <http://www.omron247.com> or contact your Omron representative for published information.
14. **Limitation on Liability; Etc.** OMRON COMPANIES SHALL NOT BE LIABLE FOR SPECIAL, INDIRECT, INCIDENTAL, OR CONSEQUENTIAL DAMAGES, LOSS OF PROFITS OR PRODUCTION OR COMMERCIAL LOSS IN ANY WAY CONNECTED WITH THE PRODUCTS, WHETHER SUCH CLAIM IS BASED IN CONTRACT, WARRANTY, NEGLIGENCE OR STRICT LIABILITY. Further, in no event shall liability of Omron Companies exceed the individual price of the Product on which liability is asserted.
15. **Indemnities.** Buyer shall indemnify and hold harmless Omron Companies and their employees from and against all liabilities, losses, claims, costs and expenses (including attorney's fees and expenses) related to any claim, investigation, litigation or proceeding (whether or not Omron is a party) which arises or is alleged to arise from Buyer's acts or omissions under these Terms or in any way with respect to the Products. Without limiting the foregoing, Buyer (at its own expense) shall indemnify and hold harmless Omron and defend or settle any action brought against such Companies to the extent based on a claim that any Product made to Buyer specifications infringed intellectual property rights of another party.
16. **Property; Confidentiality.** Any intellectual property in the Products is the exclusive property of Omron Companies and Buyer shall not attempt to duplicate it in any way without the written permission of Omron. Notwithstanding any charges to Buyer for engineering or tooling, all engineering and tooling shall remain the exclusive property of Omron. All information and materials supplied by Omron to Buyer relating to the Products are confidential and proprietary, and Buyer shall limit distribution thereof to its trusted employees and strictly prevent disclosure to any third party.
17. **Export Controls.** Buyer shall comply with all applicable laws, regulations and licenses regarding (i) export of products or information; (ii) sale of products to "forbidden" or other proscribed persons; and (iii) disclosure to non-citizens of regulated technology or information.
18. **Miscellaneous.** (a) **Waiver.** No failure or delay by Omron in exercising any right and no course of dealing between Buyer and Omron shall operate as a waiver of rights by Omron. (b) **Assignment.** Buyer may not assign its rights hereunder without Omron's written consent. (c) **Law.** These Terms are governed by the law of the jurisdiction of the home office of the Omron company from which Buyer is purchasing the Products (without regard to conflict of law principles). (d) **Amendment.** These Terms constitute the entire agreement between Buyer and Omron relating to the Products, and no provision may be changed or waived unless in writing signed by the parties. (e) **Severability.** If any provision hereof is rendered ineffective or invalid, such provision shall not invalidate any other provision. (f) **Setoff.** Buyer shall have no right to set off any amounts against the amount owing in respect of this invoice. (g) **Definitions.** As used herein, "including" means "including without limitation"; and "Omron Companies" (or similar words) mean Omron Corporation and any direct or indirect subsidiary or affiliate thereof.

Certain Precautions on Specifications and Use

1. **Suitability of Use.** Omron Companies shall not be responsible for conformity with any standards, codes or regulations which apply to the combination of the Product in the Buyer's application or use of the Product. At Buyer's request, Omron will provide applicable third party certification documents identifying ratings and limitations of use which apply to the Product. This information by itself is not sufficient for a complete determination of the suitability of the Product in combination with the end product, machine, system, or other application or use. Buyer shall be solely responsible for determining appropriateness of the particular Product with respect to Buyer's application, product or system. Buyer shall take application responsibility in all cases but the following is a non-exhaustive list of applications for which particular attention must be given: (i) Outdoor use, uses involving potential chemical contamination or electrical interference, or conditions or uses not described in this document. (ii) Use in consumer products or any use in significant quantities. (iii) Energy control systems, combustion systems, railroad systems, aviation systems, medical equipment, amusement machines, vehicles, safety equipment, and installations subject to separate industry or government regulations. (iv) Systems, machines and equipment that could present a risk to life or property. Please know and observe all prohibitions of use applicable to this Product. NEVER USE THE PRODUCT FOR AN APPLICATION INVOLVING SERIOUS RISK TO LIFE OR PROPERTY OR IN LARGE QUANTITIES WITHOUT ENSURING THAT THE SYSTEM AS A WHOLE HAS BEEN DESIGNED TO ADDRESS THE RISKS, AND THAT THE OMRON'S PRODUCT IS PROPERLY RATED AND INSTALLED FOR THE INTENDED USE WITHIN THE OVERALL EQUIPMENT OR SYSTEM.
2. **Programmable Products.** Omron Companies shall not be responsible for the user's programming of a programmable Product, or any consequence thereof.
3. **Performance Data.** Data presented in Omron Company websites, catalogs and other materials is provided as a guide for the user in determining suitability and does not constitute a warranty. It may represent the result of Omron's test conditions, and the user must correlate it to actual application requirements. Actual performance is subject to the Omron's Warranty and Limitations of Liability.
4. **Change in Specifications.** Product specifications and accessories may be changed at any time based on improvements and other reasons. It is our practice to change part numbers when published ratings or features are changed, or when significant construction changes are made. However, some specifications of the Product may be changed without any notice. When in doubt, special part numbers may be assigned to fix or establish key specifications for your application. Please consult with your Omron's representative at any time to confirm actual specifications of purchased Product.
5. **Errors and Omissions.** Information presented by Omron Companies has been checked and is believed to be accurate; however, no responsibility is assumed for clerical, typographical or proofreading errors or omissions.

OMRON AUTOMATION AMERICAS HEADQUARTERS • Chicago, IL USA • 847.843.7900 • 800.556.6766 • www.omron247.com

OMRON CANADA, INC. • HEAD OFFICE

Toronto, ON, Canada • 416.286.6465 • 866.986.6766 • www.omron247.com

OMRON ELECTRONICS DE MEXICO • HEAD OFFICE

México DF • 52.55.59.01.43.00 • 01-800-226-6766 • mela@omron.com

OMRON ELECTRONICS DE MEXICO • SALES OFFICE

Apodaca, N.L. • 52.81.11.56.99.20 • 01-800-226-6766 • mela@omron.com

OMRON ELETRÔNICA DO BRASIL LTDA • HEAD OFFICE

São Paulo, SP, Brasil • 55.11.2101.6300 • www.omron.com.br

OMRON ARGENTINA • SALES OFFICE

Cono Sur • 54.11.4783.5300

OMRON CHILE • SALES OFFICE

Santiago • 56.9.9917.3920

OTHER OMRON LATIN AMERICA SALES

54.11.4783.5300

OMRON EUROPE B.V. • Wegalaan 67-69, NL-2132 JD, Hoofddorp, The Netherlands. • +31 (0) 23 568 13 00 • www.industrial.omron.eu

Authorized Distributor:

Controllers & I/O

- Machine Automation Controllers (MAC) • Motion Controllers
- Programmable Logic Controllers (PLC) • Temperature Controllers • Remote I/O

Robotics

- Industrial Robots • Mobile Robots

Operator Interfaces

- Human Machine Interface (HMI)

Motion & Drives

- Machine Automation Controllers (MAC) • Motion Controllers • Servo Systems
- Frequency Inverters

Vision, Measurement & Identification

- Vision Sensors & Systems • Measurement Sensors • Auto Identification Systems

Sensing

- Photoelectric Sensors • Fiber-Optic Sensors • Proximity Sensors
- Rotary Encoders • Ultrasonic Sensors

Safety

- Safety Light Curtains • Safety Laser Scanners • Programmable Safety Systems
- Safety Mats and Edges • Safety Door Switches • Emergency Stop Devices
- Safety Switches & Operator Controls • Safety Monitoring/Force-guided Relays

Control Components

- Power Supplies • Timers • Counters • Programmable Relays
- Digital Panel Meters • Monitoring Products

Switches & Relays

- Limit Switches • Pushbutton Switches • Electromechanical Relays
- Solid State Relays

Software

- Programming & Configuration • Runtime

Mouser Electronics

Authorized Distributor

Click to View Pricing, Inventory, Delivery & Lifecycle Information:

Omron:

[XW5T-S10-1.1-1](#) [XW5T-S10-1.1-1BL](#) [XW5T-S150-1.1-1](#) [XW5T-S150-1.1-1BL](#) [XW5T-S16-1.1-1](#) [XW5T-S16-1.1-1BL](#)
[XW5T-S2.5-1.1-1](#) [XW5T-S2.5-1.1-1BL](#) [XW5T-S2.5-1.1-2](#) [XW5S-S4.0-2](#) [XW5S-S4.0-3](#) [XW5S-S4.0-4](#) [XW5S-S4.0-5](#)
[XW5S-S6.0-2](#) [XW5S-S6.0-3](#) [XW5S-S6.0-4](#) [XW5S-S6.0-5](#) [XW5Z-S4.0LB-31-40](#) [XW5Z-S4.0LB-41-50](#) [XW5Z-](#)
[S4.0LB-51-60](#) [XW5Z-S4.0LB-61-70](#) [XW5Z-S4.0LB-71-80](#) [XW5Z-S4.0LB-81-90](#) [XW5Z-S4.0LB-91-100](#) [XW5Z-S6.0LB](#)
[XW5Z-S6.0LB-1-10](#) [XW5Z-S6.0LB-1-100](#) [XW5Z-S6.0LB-11-20](#) [XW5Z-S6.0LB-21-30](#) [XW5Z-S6.0LB-31-40](#) [XW5Z-](#)
[S6.0LB-41-50](#) [XW5Z-S6.0LB-51-60](#) [XW5Z-S6.0LB-61-70](#) [XW5Z-S6.0LB-71-80](#) [XW5Z-S6.0LB-81-90](#) [XW5Z-S6.0LB-](#)
[91-100](#) [XW5E-S2.5N](#) [XW5E-S4.0-1.1-2](#) [XW5E-S4.0-1.2-1](#) [XW5E-S4.0-2.2-1](#) [XW5T-S2.5-1.1-2V](#) [XW5T-S35-1.1-1](#)
[XW5T-S35-1.1-1BL](#) [XW5T-S4.0-1.1-1](#) [XW5T-S4.0-1.1-1BL](#) [XW5T-S4.0-1.1-2](#) [XW5T-S4.0-1.1-2V](#) [XW5T-S4.0-1.2-1](#)
[XW5T-S4.0-1.2-1BL](#) [XW5T-S4.0-2.2-1](#) [XW5T-S4.0-2.2-1BL](#) [XW5T-S4.0-FU5](#) [XW5T-S4.0-FU6](#) [XW5T-S4.0-KD](#)
[XW5T-S6.0-1.1-1](#) [XW5T-S6.0-1.1-1BL](#) [XW5T-S70-1.1-1](#) [XW5T-S70-1.1-1BL](#) [XW5E-S16](#) [XW5E-S2.5](#) [XW5S-S10-2](#)
[XW5S-S16-2](#) [XW5S-S2.5-10](#) [XW5S-S2.5-10N](#) [XW5S-S2.5-2](#) [XW5S-S2.5-2N](#) [XW5S-S2.5-3](#) [XW5S-S2.5-3N](#) [XW5S-](#)
[S2.5-4](#) [XW5S-S2.5-4N](#) [XW5S-S2.5-5](#) [XW5S-S2.5-5N](#) [XW5S-S4.0-10](#) [XW5G-S10-1.1-1](#) [XW5G-S16-1.1-1](#) [XW5G-](#)
[S2.5-1.1-1](#) [XW5G-S35-1.1-1](#) [XW5G-S4.0-1.1-1](#) [XW5G-S4.0-1.1-2](#) [XW5G-S4.0-1.2-1](#) [XW5G-S4.0-2.2-1](#) [XW5G-S6.0-](#)
[1.1-1](#) [XW5G-S70-1.1-1](#) [XW5Z-S2.5LB](#) [XW5Z-S2.5LB-1-10](#) [XW5Z-S2.5LB-1-100](#) [XW5Z-S2.5LB-11-20](#) [XW5Z-](#)
[S2.5LB-21-30](#) [XW5Z-S2.5LB-31-40](#) [XW5Z-S2.5LB-41-50](#) [XW5Z-S2.5LB-51-60](#) [XW5Z-S2.5LB-61-70](#) [XW5Z-S2.5LB-](#)
[71-80](#) [XW5Z-S2.5LB-81-90](#) [XW5Z-S2.5LB-91-100](#) [XW5Z-S2.5PT](#) [XW5Z-S4.0LB](#) [XW5Z-S4.0LB-1-10](#) [XW5Z-S4.0LB-](#)
[1-100](#) [XW5Z-S4.0LB-11-20](#)