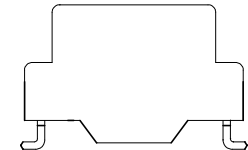
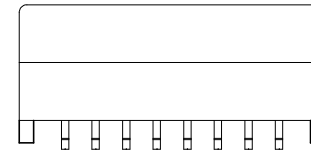
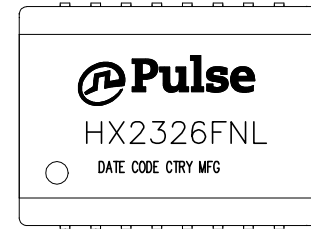




NOTES:

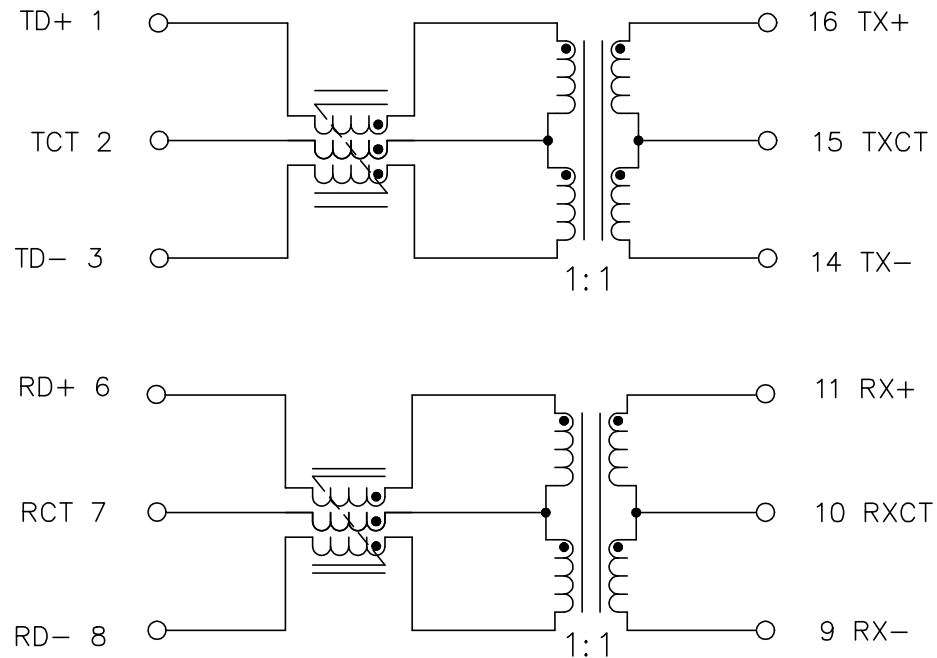
1. ROHS COMPLIANT
2. HEADER: THERMOSET PLASTIC MATERIAL WITH FLAMMABILITY RATING UL 94V-0 OR BETTER.
3. STORAGE TEMPERATURE: -50°C TO +125°C
4. COMPLIANCE TO J-STD:
  - A. J-STD-002: SOLDERABILITY AT 245°C REFLOW PROFILE
  - B. J-STD-020: LEVEL 1, NO MOISTURE SENSITIVE
  - C. J-STD-075: R7, 245°C MAXIMUM THROUGH REFLOW SOLDER
5. TO ORDER TAPE & REEL PACKAGING ADD A "T" SUFFIX TO THE PART NUMBER(i.e HX2326FNL BECOMES HX2326FNLT).



FINAL OUTLINE

© Copyright, 2018. Pulse Electronics Corp. All rights reserved. Pulse confidential & proprietary. (08/27/18)

| PRODUCT DESCRIPTION   | TLA DRAWING  | PS DRAWING    | SHEET  | PART NO.  | DATASHEET REV. |
|-----------------------|--------------|---------------|--------|-----------|----------------|
| MDL,SIN,100PP,1:1,SMT | HX2326FNL-11 | PS-2005.002-F | 1 OF 3 | HX2326FNL | A              |



SCHEMATIC

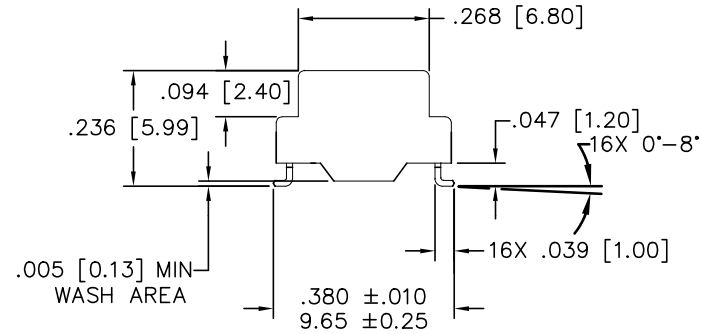
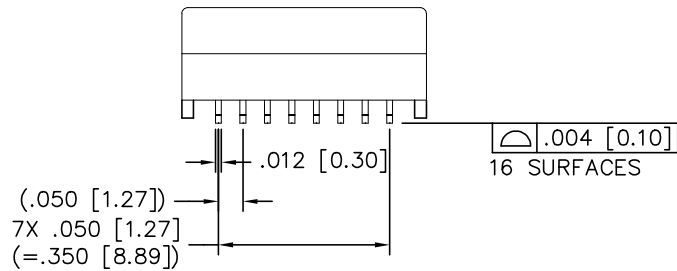
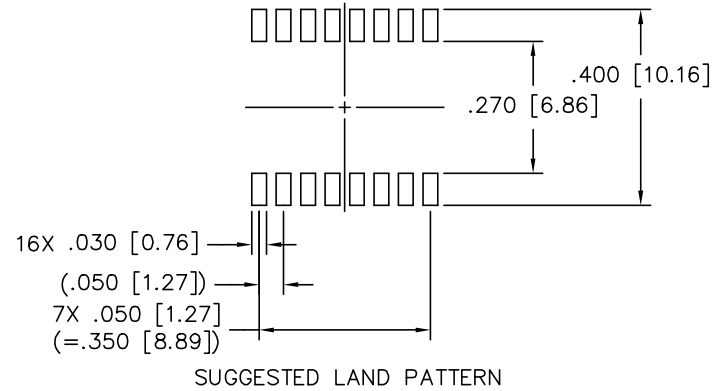
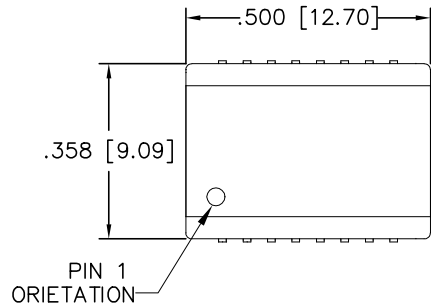
ELECTRICAL CHARACTERISTICS AT +25°C UNLESS OTHER SPECIFIED  
(FOR REFERENCE ONLY. USED FOR CUSTOMER INFORMATION.)

| PARAMETER  | SPECIFICATIONS                       |   |           |
|--|--------------------------------------|---|-----------|
| OPERATING TEMP   | -40°C TO +85°C                       |   |           |
| URNS RATIO   | 1.00 ± 2%                            |   |           |
| POLARITY   | PER SCHEMATIC                        |   |           |
| INSERTION LOSS   | 100 KHz                              | 1-125 MHz                                     |           |
|  | -1.2 dB MAX                          | -0.2-0.002*f <sup>1.4</sup> dB MAX            |           |
| RETURN LOSS, 1000BT<br>(Z OUT = 100 OHM ±15%)                        | .1-30 MHz                            | 30-60 MHz                                     | 60-80 MHz |
|  | -16 dB MIN                           | -10+20*LOG <sub>10</sub><br>(f/60 MHz) dB MIN |           |
|  |                                      | -10 dB MIN                                    |           |
| INDUCTANCE (OCL)<br>(MEDIA SIDE, AT 100KHz,<br>0.1Vac -40°C ~ +85°C) | 350 uH MIN WITH 8mA DC BIAS          |   |           |
|  | 120 uH MIN WITH 19mA DC BIAS         |   |           |
| CROSSTALK, ADJACENT<br>CHANNELS                                      | 1 MHz                                | 10-100 MHz                                    |           |
|  | -50 dB MIN                           | -55+22*LOG <sub>10</sub> (f/10) dB MIN        |           |
| COMMON MODE<br>REJECTION RATIO                                       | 2 MHz                                | 30-200 MHz                                    |           |
|  | -45 dB MIN                           | -7+28*LOG <sub>10</sub> (f/200) dB MIN        |           |
| DC RESISTANCE,<br>1/2 WINDING  | .75 OHMS MAX                         |   |           |
| DC RESISTANCE<br>IMBALANCE   | ±.065 OHMS MAX (CENTER TAP SYMMETRY) |   |           |
| DC CURRENT/VOLTAGE<br>RATING - PSE PINS                              | 600 mA, @ 57 V (CONTINUOUS)          |   |           |
| INPUT - OUTPUT<br>ISOLATION  | 1500 VRMS MIN AT 60 SECONDS          |   |           |

NOTES: f IS FREQUENCY IN MHZ.

© Copyright, 2018. Pulse Electronics Corp. All rights reserved. Pulse confidential & proprietary. (08/27/18)

| PRODUCT DESCRIPTION   | TLA DRAWING  | PS DRAWING    | SHEET  | PART NO.  | DATASHEET REV. |
|-----------------------|--------------|---------------|--------|-----------|----------------|
| MDL,SIN,10OPP,1:1,SMT | HX2326FNL-11 | PS-2005.002-F | 2 OF 3 | HX2326FNL | A              |



DIMENSIONS ARE IN INCHES [MILLIMETERS] WITH THE FOLLOWING TOLERANCES: [MILLIMETERS] ARE FOR REFERENCE ONLY.  
.XX= ±.01 [±0.25]  
.XXX= ±.005 [±0.13]

© Copyright, 2018. Pulse Electronics Corp. All rights reserved. Pulse confidential & proprietary. (08/27/18)

| PRODUCT DESCRIPTION   | TLA DRAWING  | PS DRAWING    | SHEET  | PART NO.  | DATASHEET REV. |
|-----------------------|--------------|---------------|--------|-----------|----------------|
| MDL,SIN,100PP,1:1,SMT | HX2326FNL-11 | PS-2005.002-F | 3 OF 3 | HX2326FNL | A              |

# Mouser Electronics

Authorized Distributor

Click to View Pricing, Inventory, Delivery & Lifecycle Information:

Pulse:

[HX2326FNL](#) [HX2326NLT](#)