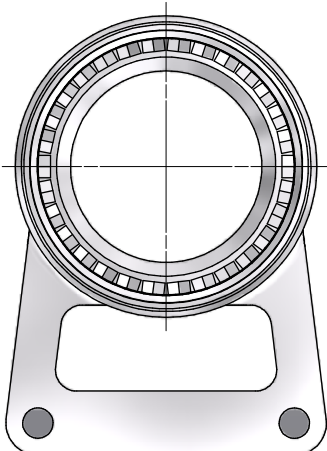
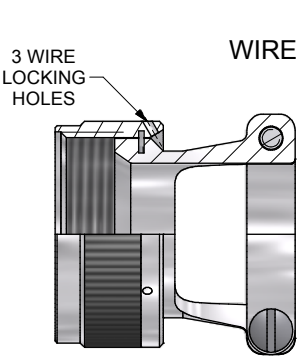
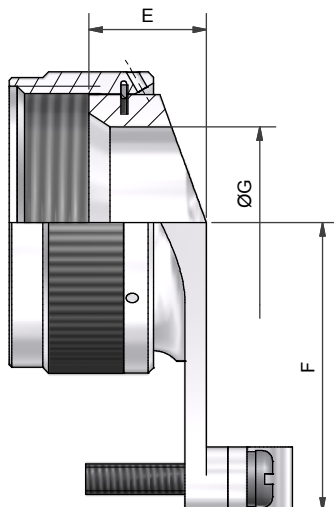


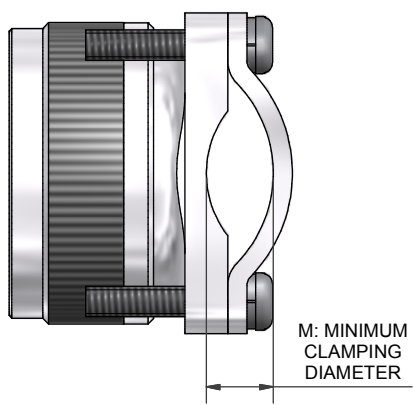
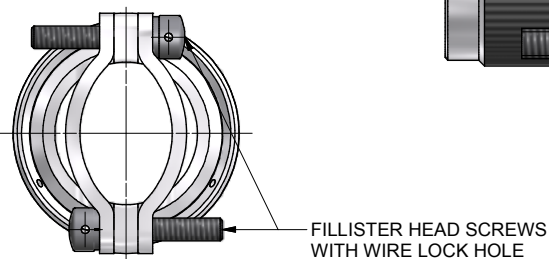
ANGLE 1



ANGLE 3



-WL  
WIRE LOCK OPTION



M: MINIMUM  
CLAMPING  
DIAMETER

NOTE: FASTENERS MATERIAL - STAINLESS STEEL

DRAWN		B.VESA		DATE		19/11/2015		 3RD ANGLE PROJECTION NOT TO SCALE	PART NUMBER:		96A SERIES		 Polamco TE connectivity	
SALES APPR				DATE		19/11/2015			TITLE:		STRAIN RELIEF BACKSHELL			
DESIGN APPR		K.SHEPPARD		DATE		20/11/2015		ASSY USED ON: MIL-DTL-26482 SERIES II		THIS DRAWING IS COPYRIGHT AND THE PROPERTY OF POLAMCO LTD IT MUST NOT BE COPIED, USED FOR MANUFACTURE OR OTHERWISE DISCLOSED WITHOUT PRIOR WRITTEN CONSENT OF THE COMPANY.		POLAMCO LTD, WESTON LOCK, LOWER BRISTOL ROAD BATH BA2 1EP		
PROD APPR								SHT		1		DRAWING NO: P11362		
QUAL APPR								MATERIAL		SEE PART NUMBER BREAKDOWN				
ISSUE		REV.		DCR				FINISH		SEE PART NUMBER BREAKDOWN				
1		1												
NCAGE CODE U5792				WEIGHT										

TABLE 1

SHELL SIZE	A THREAD	ØB MAX	E ±0,5	F ±0,5	G MIN	H MAX	L	K ±0,5	M ±0,5
03	9/16-24 UNEF	17,0	11,0	20,5	6,6	19,0	21,0	5,70	3,85
08	1/2-20 UNF	15,6	11,0	20,5	6,6	19,0	21,0	5,70	3,85
10	5/8-24 UNEF	18,6	11,0	22,0	9,3	20,6	21,0	6,80	4,45
12	3/4-20 UNEF	21,7	11,0	23,0	12,7	25,2	22,0	8,50	5,00
14	7/8-20 UNEF	24,9	11,0	25,4	14,6	26,9	22,0	10,20	5,60
16	1-20 UNEF	28,2	11,0	27,0	17,8	30,2	22,5	11,50	6,25
18	1 1/16-18 UNEF	30,9	11,0	28,6	19,8	33,2	26,5	14,50	7,50
20	1 3/16-18 UNEF	34,1	11,0	32,0	23,0	38,0	30,0	16,80	8,65
22	1 5/16-18 UNEF	37,3	11,0	33,0	26,1	41,2	36,0	19,50	10,55
24	1 7/16-18 UNEF	40,4	11,0	36,5	29,1	44,4	36,0	21,40	11,50
28	1 3/4-18 UNS	50,0	16,0	40,0	35,0	51,0	36,0	25,40	13,50
32	2-18 UNS	56,3	16,0	43,5	41,3	58,2	36,0	34,92	14,50
36	2 1/4-16 UN	62,7	16,0	47,0	46,8	63,1	45,0	31,40	16,50
61	1 1/2-18 UNEF	42,0	16,0	36,5	30,0	42,7	36,0	23,90	12,75

TABLE 2

CODE	FINISH
C	ELECTROLESS NICKEL
B	CADMIUM OLIVE DRAB OVER ELECTROLESS NICKEL
ZB	ZINC COBALT OLIVE DRAB OVER ELECTROLESS NICKEL
ZN	ZINC NICKEL BLACK PASSIVATE OVER ELECTROLESS NICKEL

LIST NOT EXHAUSTIVE, FOR COMPREHENSIVE LIST AND SPECS, SEE WEBSITE

96A1-16-1-C

SERIES \_\_\_\_\_  
CONNECTOR INTERFACE \_\_\_\_\_  
ANGLE \_\_\_\_\_  
(1 - STRAIGHT, 3 - 90°)  
SHELL SIZE (TABLE 1) \_\_\_\_\_  
MATERIAL \_\_\_\_\_  
ALUMINIUM ALLOY \_\_\_\_\_  
FINISH (TABLE 2) \_\_\_\_\_  
INSERT -WL FOR WIRE LOCK OPTION \_\_\_\_\_  
(LEAVE BLANK FOR STANDARD)

DRAWN	B.VESA	DATE	19/11/2015	 3RD ANGLE PROJECTION NOT TO SCALE	PART NUMBER:  <b>96A SERIES</b>	 Polamco
SALES APPR		DATE	19/11/2015			
DESIGN APPR	K.SHEPPARD	DATE	20/11/2015	UNLESS OTHERWISE SPECIFIED ALL DIMENSIONS IN MILLIMETRES <b>GENERAL TOL</b> LINEAR +/-0,25MM ANGULAR +/- 1°	TITLE:  <b>STRAIN RELIEF BACKSHELL</b>	 TE connectivity
PROD APPR						
QUAL APPR				<b>MATERIAL</b> SEE PART NUMBER BREAKDOWN	<b>ASSY USED ON: MIL-DTL-26482 SERIES II</b>	 TE connectivity
ISSUE	REV.	DCR				
<b>1</b>	<b>1</b>			<b>FINISH</b> SEE PART NUMBER BREAKDOWN	THIS DRAWING IS COPYRIGHT AND THE PROPERTY OF POLAMCO LTD IT MUST NOT BE COPIED, USED FOR MANUFACTURE OR OTHERWISE DISCLOSED WITHOUT PRIOR WRITTEN CONSENT OF THE COMPANY.	POLAMCO LTD, WESTON LOCK, LOWER BRISTOL ROAD BATH BA2 1EP
NCAGE CODE U5792		WEIGHT				

# Mouser Electronics

Authorized Distributor

Click to View Pricing, Inventory, Delivery & Lifecycle Information:

[TE Connectivity:](#)

[96A3-14-1-C](#)