

Crimp contact - CK4,0-ED-1,50BU AG - 1663271

Please be informed that the data shown in this PDF Document is generated from our Online Catalog. Please find the complete data in the user's documentation. Our General Terms of Use for Downloads are valid (<http://phoenixcontact.com/download>)




Turned 4.0 crimp contact, individual female contact, core diameter 1.50 mm², silver-plated



COMPLIANT

Key Commercial Data

| | |
|------------------------|---|
| Packing unit | 25 pc |
| Minimum order quantity | 25 pc |
| GTIN |  4 017918 123086 |
| GTIN | 4017918123086 |

Technical data

Ambient conditions

| | |
|---------------------------------|-------------------|
| Ambient temperature (operation) | -40 °C ... 125 °C |
|---------------------------------|-------------------|

Mechanical characteristics

| | |
|---|--|
| Conductor cross section | 1.5 mm ² ... 1.5 mm ² |
| Connection cross section AWG | 16 |
| Stripping length of the individual wire | 9 mm (9.6 mm (4 - 6 mm ²)/18 mm (10 mm ²)) |
| Contact diameter | 4 mm |
| Insertion/withdrawal cycles | ≥ 500 |

General

| | |
|-------------------|---------------------------|
| Note | For HC-M-3 modules |
| Type | Individual female contact |
| Series | HC-M-03 |
| Connection method | Crimp connection |
| Contact type | turned |

Material data

| | |
|------------------|--------------|
| Contact material | Copper alloy |
|------------------|--------------|

Crimp contact - CK4,0-ED-1,50BU AG - 1663271

Technical data

Material data

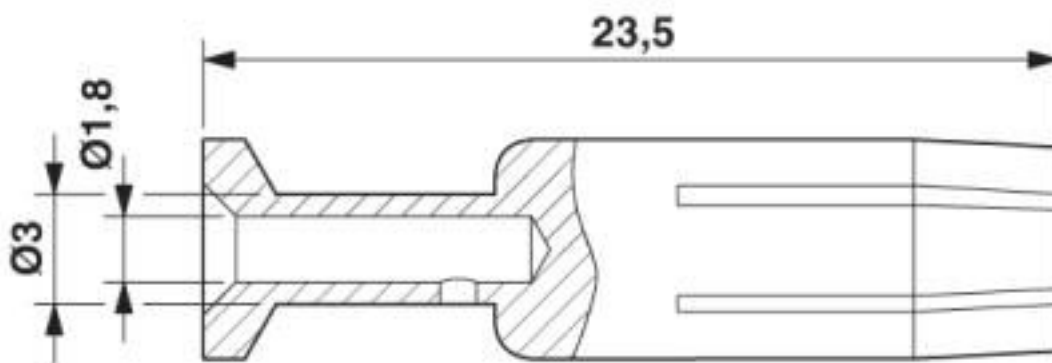
| | |
|--------------------------|---------------|
| Contact surface material | silver-plated |
|--------------------------|---------------|

Environmental Product Compliance

| | |
|------------|---|
| REACH SVHC | Lead 7439-92-1 |
| China RoHS | Environmentally Friendly Use Period = 50 years |
| | For details about hazardous substances go to tab "Downloads", Category "Manufacturer's declaration" |

Drawings

Dimensional drawing



Classifications

eCl@ss

| | |
|---------------|----------|
| eCl@ss 10.0.1 | 27440204 |
| eCl@ss 4.0 | 27140800 |
| eCl@ss 4.1 | 27140800 |
| eCl@ss 5.0 | 27143400 |
| eCl@ss 5.1 | 27261200 |
| eCl@ss 6.0 | 27261200 |
| eCl@ss 7.0 | 27440204 |
| eCl@ss 8.0 | 27440204 |
| eCl@ss 9.0 | 27440204 |

ETIM

| | |
|----------|----------|
| ETIM 2.0 | EC000796 |
| ETIM 3.0 | EC000796 |
| ETIM 4.0 | EC000796 |
| ETIM 5.0 | EC000796 |
| ETIM 6.0 | EC000796 |
| ETIM 7.0 | EC000796 |

Crimp contact - CK4,0-ED-1,50BU AG - 1663271

Classifications

UNSPSC

| | |
|---------------|----------|
| UNSPSC 6.01 | 30211923 |
| UNSPSC 7.0901 | 39121522 |
| UNSPSC 11 | 39121522 |
| UNSPSC 12.01 | 39121522 |
| UNSPSC 13.2 | 39121522 |
| UNSPSC 18.0 | 39121522 |
| UNSPSC 19.0 | 39121522 |
| UNSPSC 20.0 | 39121522 |
| UNSPSC 21.0 | 39121522 |

Approvals

Approvals

Approvals

EAC

Ex Approvals

Approval details

| | | |
|-----|--|--------------------------|
| EAC | | RU C- DE.AI30.B.01102 |
|-----|--|--------------------------|

Accessories

Accessories

Crimping tool

Crimping pliers - CRIMPFOX-TC 4 - 1212113



Crimping pliers, for CK 1,6-ED..., CK 2,5-ED..., CK 4,0-ED... turned contacts, 4 marked die stations, unlockable pressure lock, lateral entry, incl. positioning tool

Universal tools

Crimp contact - CK4,0-ED-1,50BU AG - 1663271

Accessories

Contact removal tool - UNIFOX RT-CK 4.0 - 1072064



Contact removal tool, for rotated CK-4,0-... contacts

Additional products

Crimp contact - CK4,0-ED-1,50ST AG - 1663239



Turned 4.0 crimp contact, individual male contact, core diameter 1.5 mm², silver-plated

Phoenix Contact 2020 © - all rights reserved
<http://www.phoenixcontact.com>

PHOENIX CONTACT GmbH & Co. KG
Flachsmarktstr. 8
32825 Blomberg
Germany
Tel. +49 5235 300
Fax +49 5235 3 41200
<http://www.phoenixcontact.com>

Mouser Electronics

Authorized Distributor

Click to View Pricing, Inventory, Delivery & Lifecycle Information:

[Phoenix Contact:](#)

[1663271](#)