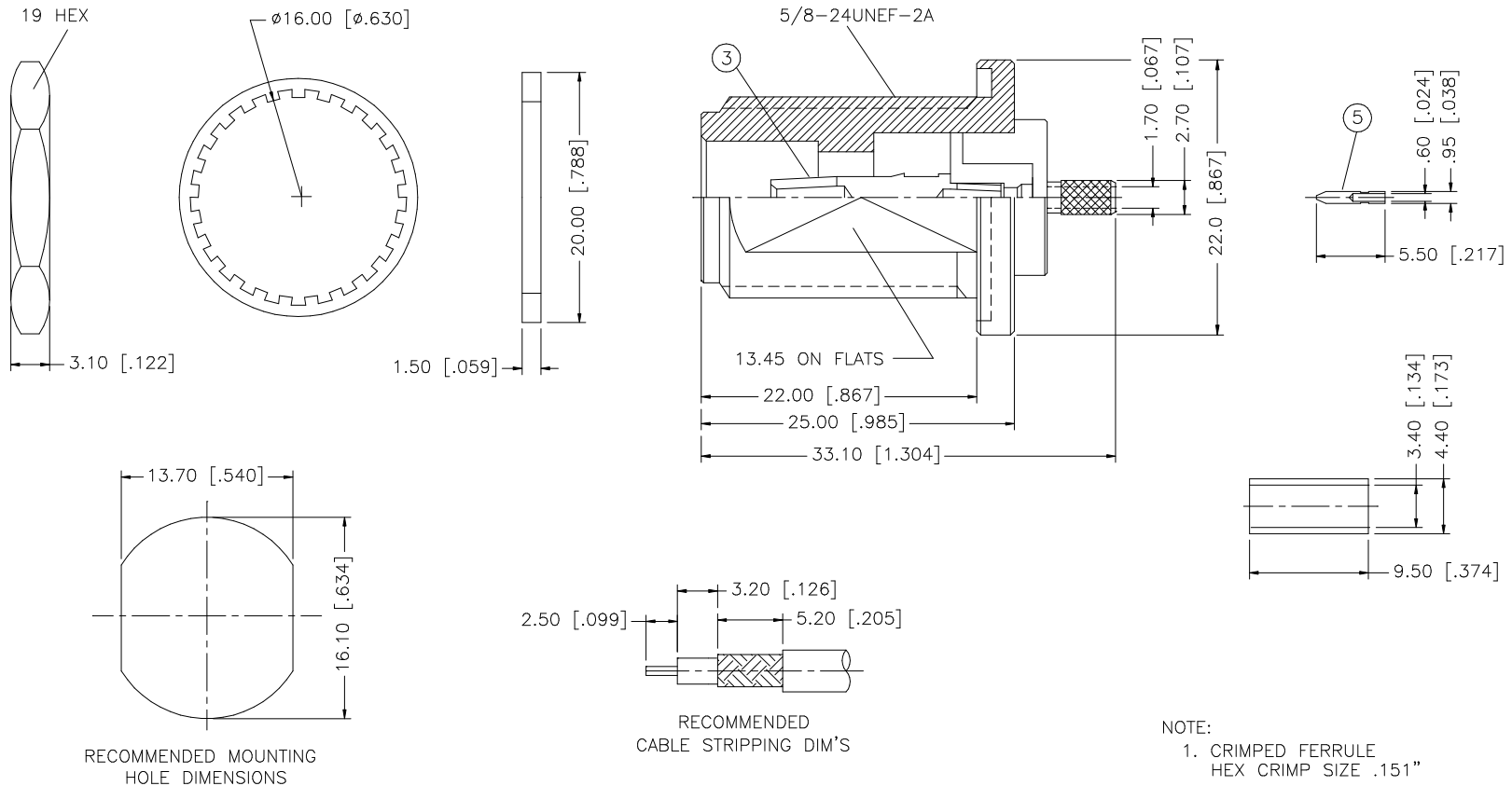


REV.	DATE	DESCRIPTION
B	01/29/00	MODIFY FERRULE DIMS./ CHANGE NOTES
C	06/05/03	UPDATE DRAWING FORMAT
D	11/20/06	REVISE BARREL I.D. TO 2.70mm



- NOTE:
1. CRIMPED FERRULE
HEX CRIMP SIZE .151"
 2. CRIMPED CONTACT PIN
SQ. CRIMP SIZE 0.7mm
 3. MAX. PANEL THICKNESS = 7mm

DESCRIPTION	MATERIAL	FINISH	QTY	UNLESS OTHERWISE SPECIFIED DIMENSIONS ARE IN MILLIMETERS. DIMENSIONS IN [] ARE IN INCHES AND FOR CUSTOMER REFERENCE ONLY.	APPROVALS	DATE	Amphenol Connex			
8							PART DESCRIPTION N BULKHEAD CRIMP JACK (FOR RG-316/U DOUBLE BRAID CABLE)			
7	FERRULE	COPPER	NEXCOTE	1	UNLESS OTHERWISE SPECIFIED TOLERANCES FOR MILLIMETERS ARE: 0.5 - 8mm \pm 0.20mm 8 - 30mm \pm 0.40mm 30 - 120mm \pm 0.50mm	DRAWN				G.R.S.
6	HEX NUT	BRASS	NEXCOTE	1	UNLESS OTHERWISE SPECIFIED TOLERANCES FOR INCHES ARE: .020 - .315 = \pm 0.007" .315 - 1.180 = \pm 0.015" 1.180 - 4.724 = \pm 0.020"	CHECKED			PART NO.	172165
5	LOCK WASHER	BRASS	NEXCOTE	1		ISSUED				
4	GASKET	SILICONE	RED	1		SHEET	1 OF 1			
3	CONTACT PIN	BRASS	GOLD	1		CAD FILE	C:/172/172165.DWG		DWG. NO.	172165.DWG
2	INSULATOR	TEFLON	NATURAL	1					REV.	D
1	BODY	BRASS	NEXCOTE	1					SIZE	A
					DO NOT SCALE DRAWING				SCALE	NA

Mouser Electronics

Authorized Distributor

Click to View Pricing, Inventory, Delivery & Lifecycle Information:

[Amphenol:](#)

[172165](#)