

CR1/3N

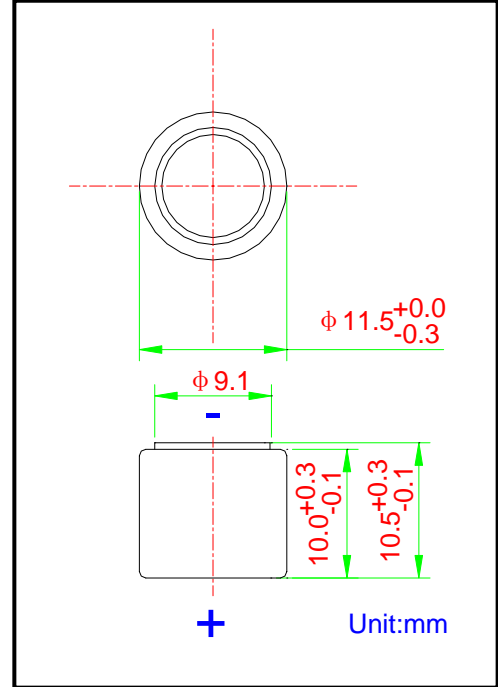
Cylindrical Lithium Battery

@ Specification

Reference cross: CR11108

@ Dimensions

Nominal Voltage (V)		3.0
Dimensions	Diameter (mm)	11.5+/-0.1
	Height (mm)	10.5^{+0.3}/_{-0.1}
	Apx. Weight (g)	3.2
Standard Discharge Current (mA)		3
Nominal Capacity (mAh)		160
Maximum Continuous Discharge Current (mA)		60
Maximum pulse Discharge Current (mA)		80
Temperature Range (°C)		-40/60



@ Discharge Characteristics vs. Temp.

@ Discharge Characteristics vs. Load

