



## ***D3K Micropump Range for Gases***

### **RS MICROPUMPS: D3K (1253593)**

(Patents Pending, Quality Assured ISO 9001, RoHS compliant, IP41 protection rating)



#### ***Introduction***

The RS D3K Micropumps are high-quality pumps designed for use with gases only. They are highly efficient, small and lightweight. The solid construction and wide temperature tolerance, enable them to perform reliably even in hostile environments. Your Micropump can be quickly and easily installed into the smallest spaces, in a vast range of laboratory, prototype and production equipment.

#### ***Electrical Connection***

##### **Supply**

Voltage: 2.0v to 6.0v DC

##### **Connection**

Positive +: Red Lead  
Negative -: Black Lead

Your Micropump can be connected to batteries, a DC power source of up to 6.0V or a power supply.



## ***D3K Micropump Range for Gases***

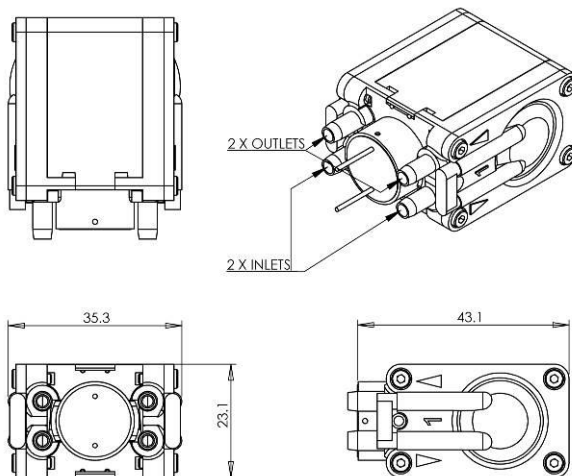
***Pumping rate can be adjusted by varying input voltages between 2.0v and 6.0vdc***

### **Materials**

Housing	PC/ABS
Seals	Nitrile
Fixings	Stainless Steel 316
Internal fixings	Nylon

### **Hose Connections**

2.4mm (3/32") bore flexible tubing



### **Notes on Operation**

For maximum flow the pump heads should be connected in parallel. Connect both the inlet ports together and both the outlet ports together.

For maximum pressure connect the pump heads in series. Connect one pump heads inlet to the second heads outlet. The remaining ports are then become the main inlet and outlet ports for the pump.