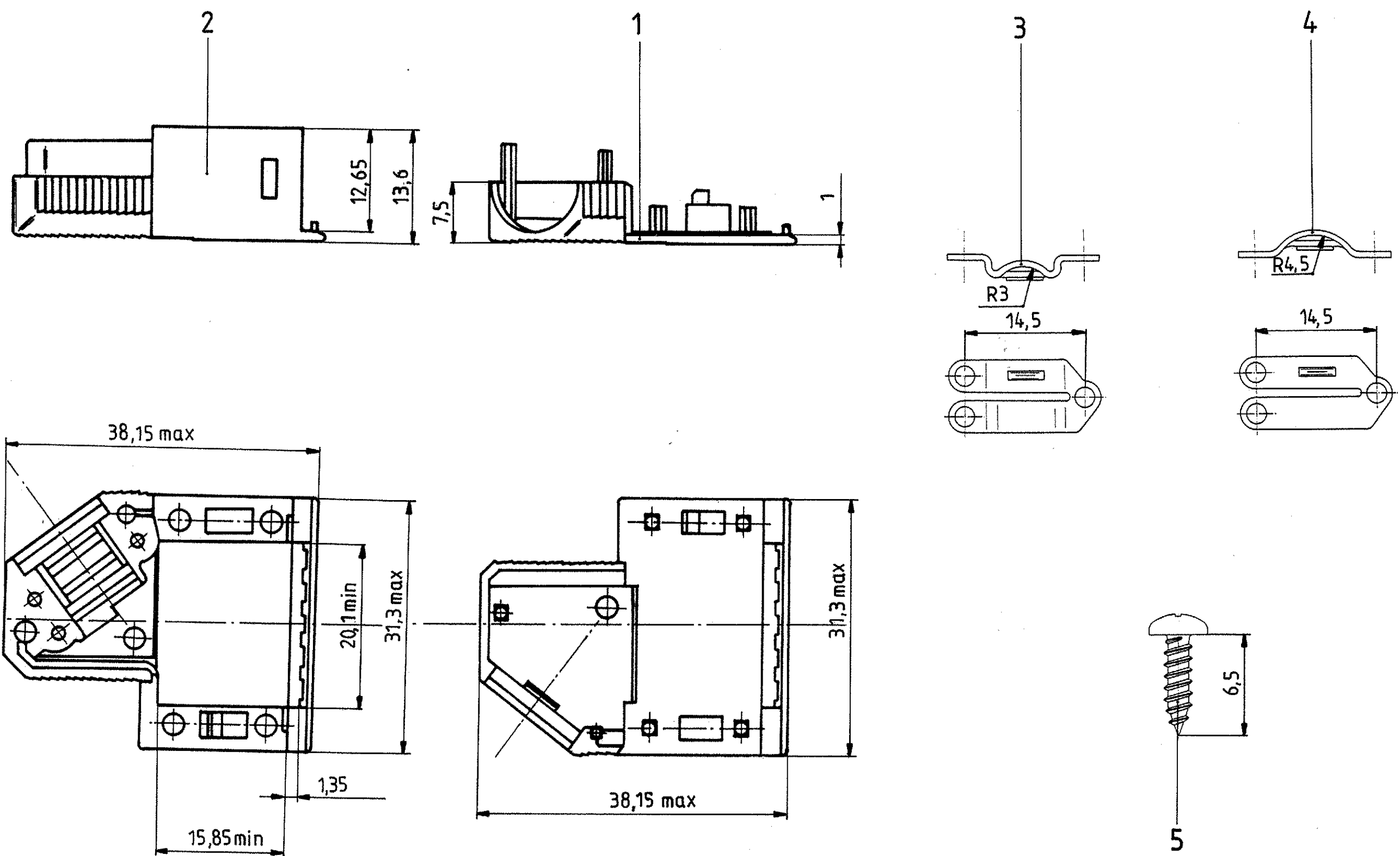


Sin nuestra autorización, queda terminantemente prohibida la reproducción total o parcial de este documento, así como su uso indebido y/o su exhibición o comunicación a terceros. De los infractores se exigirá el correspondiente resarcimiento de daños y perjuicios. Se reserva todos los derechos para el caso de la concesión de patente de invención o el registro de Modelo Industrial.

Weitergabe sowie Vervielfältigung dieser Unterlage, Verwertung und Mitteilung ihres Inhalts nicht gestattet, soweit nicht ausdrücklich zugelassen. Zuwiderhandlungen verpflichten zu Schadenersatz. Alle Rechte für den Fall der Patentierung oder GM-Eintragung vorbehalten.

Copying of this document, and giving it to others and the use or communication of the contents thereof, are forbidden without express authority. Offenders are liable to the payment of damages. All rights are reserved in the event of the grant of a patent or the registration of a utility model or design.



P/N 9 contacts version: V42254-A6000-K*09

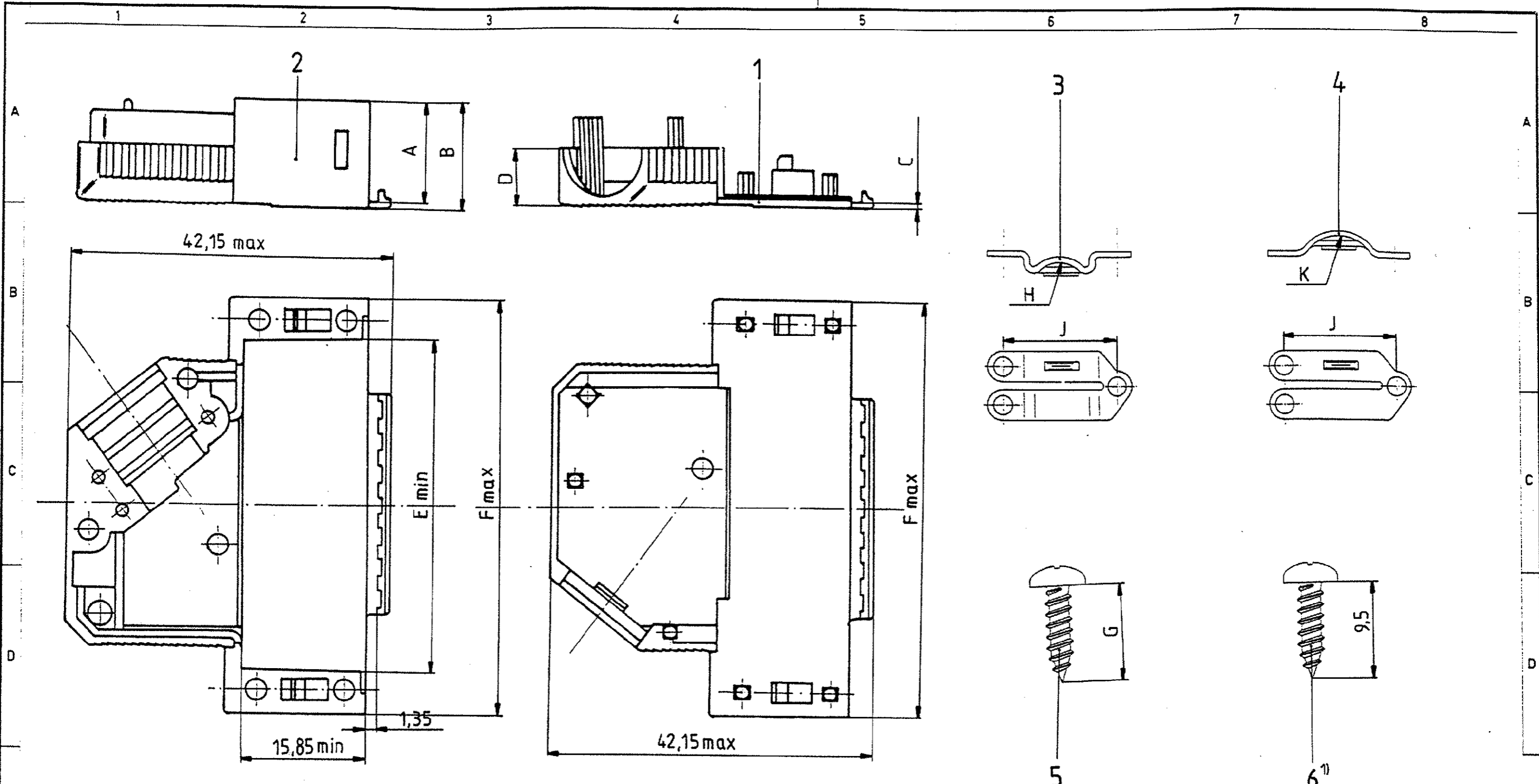
- 1 FOR PLASTIC PARTS (POS. 1 AND 2):
 - LENGTHS: DIN 16901/130,
 - ANGLES, FORMS: DIN 7168-m, R,
 FOR METAL PARTS (POS. 3 AND 4): DIN 7168-m,
 FOR SCREWS (POS. 5 AND 6): DIN 7981 F-H.

						Maßstab	
						Tyco Electronics Corporation Oostkamp - Belgium	
						D-Sub Housing unshielded 9 contacts	
						V42254-A6000-K***-*-27	
						customer drawing number: C 1-1393738-0	
				TOLERANCES UNLESS OTHERWISE SPECIFIED:		SHT. 1+	
				OF 4			
A2	ECR-10-017904	09DEC10	RK	DATE	26.03.87		
A1	ECR-09-024033	16-02-10	RK	NAME	De Petter		
A	WO00/7013	03.07.00	KV	APP.	PD Com P&SE		
03	WB89/176	27.06.89	VH				
02	WB88/166	15.09.88					
01		02.05.88					
Zust	Mitteilung	Datum	Name				

da la reproducción total o parcial de este documento, así como su uso indebido y/o su exhibición o comunicación a terceros. De los infractores se exigirá el correspondiente resarcimiento de daños y perjuicios. Se reserva todos los derechos para el caso de la creación de patente de invención o el registro de Modelo Industrial.

Wiedergabe sowie Vervielfältigung dieses Urteils, Verbreitung und Mitteilung über Inhalte, ist ohne schriftliche Genehmigung der Tyco Electronics Corporation. Alle Rechte vorbehalten. Falls der Patentschutz eintritt, ist die Erfindung geschützt.

copying of this document, and giving it to others, and the use or communication of the contents thereof, are forbidden without express authority. Offenders are liable to the payment of damages. All rights are reserved in the event of the grant of a patent or the registration of a utility model or design.



housing		dimension									
P/N	No. of contacts	A	B	C	D	E	F	G	H	J	K
V42254-A6000-											
K × 15	15					28,4	39,62		R3	14,5	R4,5
K × 25	25	13	14	1	7,5	42,2	53,52	6,5	R4	16	R5,5
K × 37	37					58,65	69,8				
K × 50	50	16	17,5	1,5	9,5	56,18	67,41	9,5	R5,5	20,6	R7

1) only for the 37 contacts version drawn is the 25 contacts version

				Tyco Electronics Corporation Oostkamp - Belgium	
		DATE 26.03.87 NAME De Petter APP. PD Com P&SE		D-Sub Housing unshielded 15 to 50 contacts	
		TOLERANCES UNLESS OTHERWISE SPECIFIED: A2 SEE SHEET 1.		V42254-A6000-K***-*-27	
Zust: Mitteilung		Datum		Name	
		1		SHT. 2-	
customer drawing number: C 1-1393738-0					

V 4 2 2 5 4 - A 6 0 0 * - K * * *

Housing type
K plastic housing, unshielded

Marking and colour of the housing

1	TE-marking, grey
2	without marking, grey
3	TE-marking, black
4	without marking, black

wire diameter	No. of contacts - housing size					
	0	1	2	3	4 ³⁾	
4-8					09	9 contacts - housing size 1
4-6						
5-10					15	15 contacts - housing size 2
5-8						
5-11					25	25 contacts - housing size 3
5-8,5						
8-10					37	37 contacts - housing size 4
8-10						
10-11					50	50 contacts - housing size 5
6-11						
6-8						
8-10						
9-14,5						
9-12						
12-14,5						
9-14,5						

Packaging

set 1)	200	200	200	200	200	1) per set, in blister - 9 and 15 contacts : 25 - 25, 37 and 50 contacts : 15
2)	200	200	200	200	200	2) loose pieces, in cardboard : 200
3)						3) only for : - V42254-A6004-G1** - V42254-A6004-+4**



Tyco Electronics Corporation
Oostkamp - Belgium



LOC DIMENSIONS IN MM

SCALE WEIGHT

MATERIAL

PART NAME
D-Sub Housing
unshielded

PART NO. SHT. 3+

V42254-A6000-K***-*-27

DATE	26.03.87
NAME	De Petter
DEP.	PD Com P&SE
EC	
TOLERANCE UNLESS SPECIFIED OTHERWISE	

A2 SEE SHEET 1

REV. CHANGE ORDER DATE APP. customer drawing number: C 1-1393738-0 OF 4



THIS INFORMATION IS CONFIDENTIAL AND PROPRIETARY TO TYCO ELECTRONICS CORPORATION AND ITS WORLDWIDE SUBSIDIARIES AND AFFILIATES. IT MAY NOT BE DISCLOSED TO ANYONE, OTHER THAN TYCO ELECTRONICS PERSONNEL, WITHOUT WRITTEN AUTHORIZATION FROM TYCO ELECTRONICS CORPORATION, HARRISBURG, PENNSYLVANIA USA.

PROPRIETARY:

Active part numbers. Contact Tyco Electronics for other configuration availability

Old Part Number	TE Part Number	
V42254-A6000-K109	1-1393738-0	
V42254-A6000-K115	1-1393738-1	
V42254-A6000-K125	1-1393738-2	
V42254-A6000-K137	1-1393738-3	
V42254-A6000-K150	1-1393738-4	
V42254-A6000-K315	1-1393738-6	
V42254-A6001-K125	4-1393738-7	SUPERSEDED BY 1-1393738-2
V42254-A6004-K109	7-1393738-3	OBSOLETE
V42254-A6004-K115	7-1393738-4	OBSOLETE
V42254-A6004-K137	7-1393738-6	OBSOLETE
V42254-A6004-K150	7-1393738-7	
V42254-A6004-K309	1-1393739-5	SUPERSEDED BY 1-1393738-0, 5-1393738-3
V42254-A6004-K315	7-1393738-8	OBSOLETE
V42254-A6004-K325	1-1393739-6	OBSOLETE
V42254-A6004-K337	1-1393739-7	SUPERSEDED BY 1-1393738-3
V42254-A6004-K350	1-1393739-8	SUPERSEDED BY 1-1393738-4
V42254-A6004-K409	7-1393738-9	OBSOLETE
V42254-A6004-K415	8-1393738-0	OBSOLETE
V42254-A6004-K425	8-1393738-1	OBSOLETE
V42254-A6004-K450	8-1393738-2	OBSOLETE

THIS INFORMATION IS CONFIDENTIAL AND PROPRIETARY TO TYCO ELECTRONICS CORPORATION AND ITS WORLDWIDE SUBSIDIARIES AND AFFILIATES. IT MAY NOT BE DISCLOSED TO ANYONE, OTHER THAN TYCO ELECTRONICS PERSONNEL, WITHOUT WRITTEN AUTHORIZATION FROM TYCO ELECTRONICS CORPORATION, HARRISBURG, PENNSYLVANIA USA.

		Tyco Electronics Corporation Oostkamp - Belgium		 DIMENSIONS IN MM		SCALE		WEIGHT	
		DATE 26.03.87				MATERIAL			
		NAME De Petter				PART NAME			
		DEP. PD Com P&SE				D-Sub Housing			
		EC				unshielded			
		TOLERANCE UNLESS SPECIFIED OTHERWISE				PART NO.		SHT. 4-	
A2 SEE SHEET 1						V42254-A6000-K***-*-27			
REV. CHANGE ORDER		DATE		APP.		customer drawing number: C 1-1393738-0		OF 4	

PROPRIETARY: