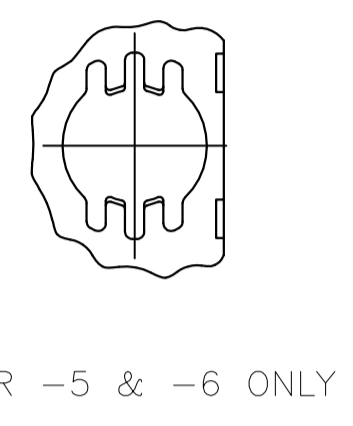
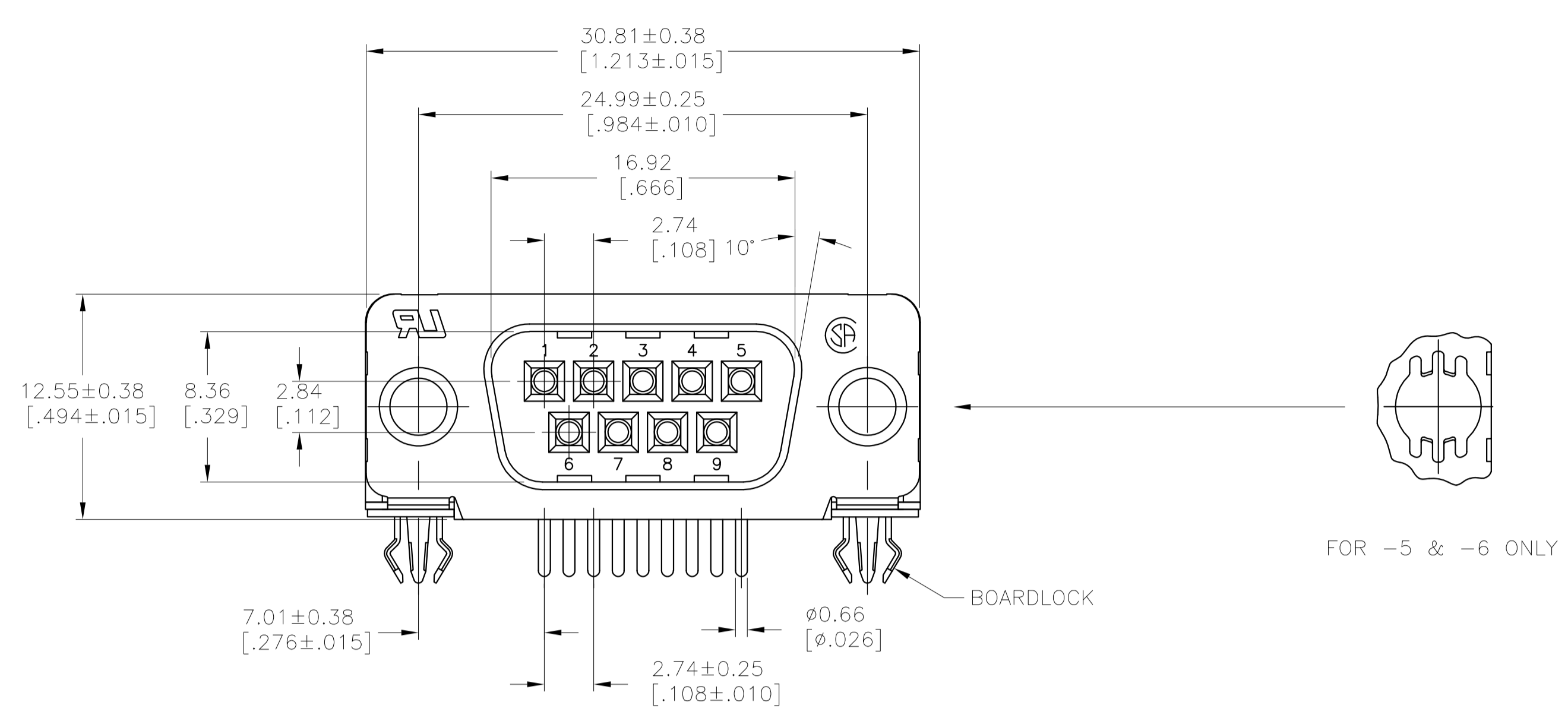
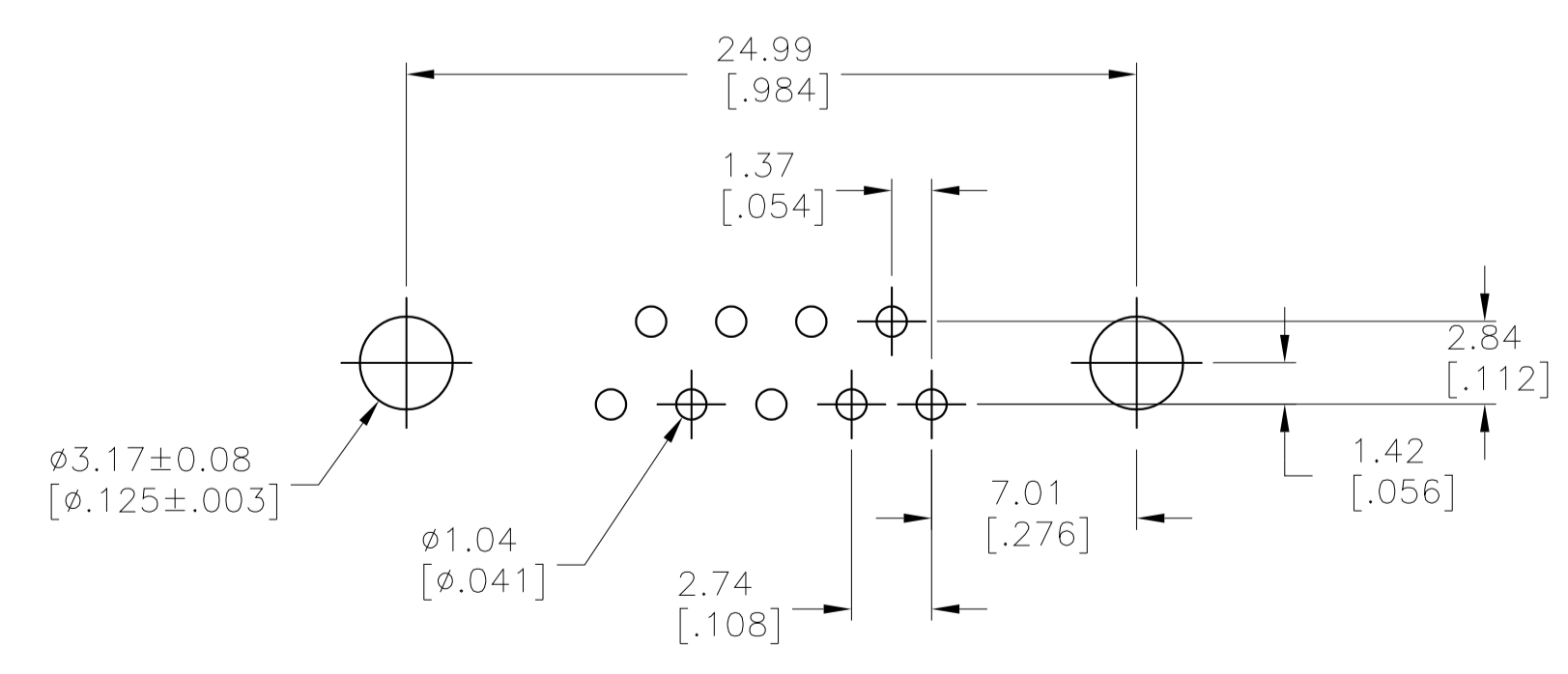
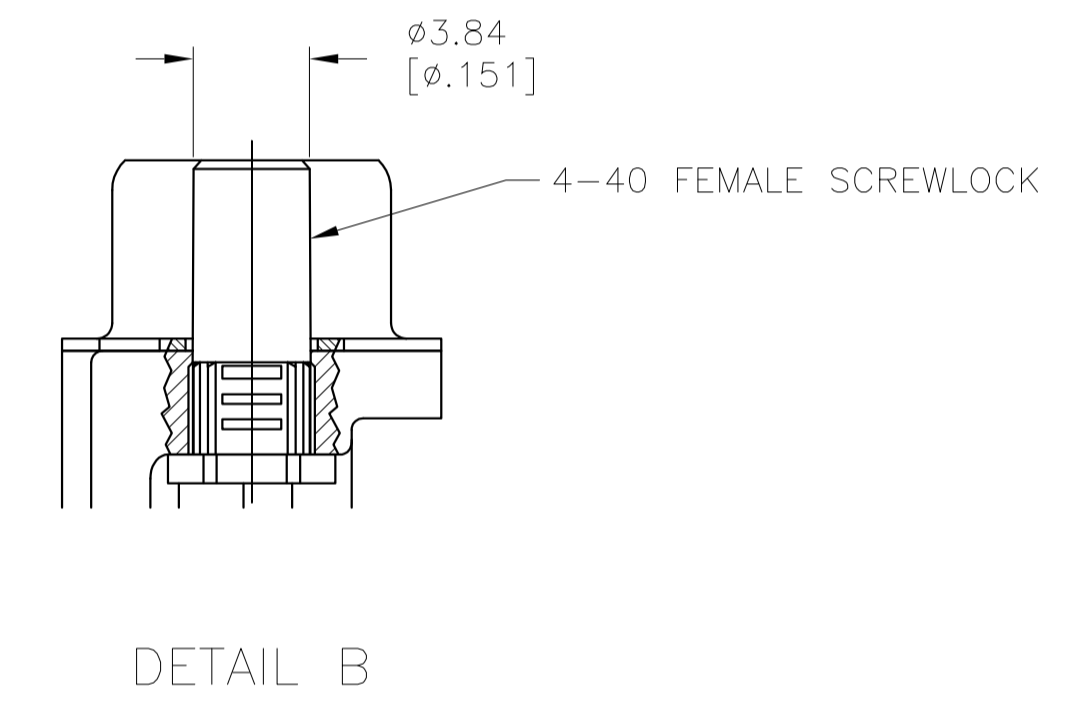
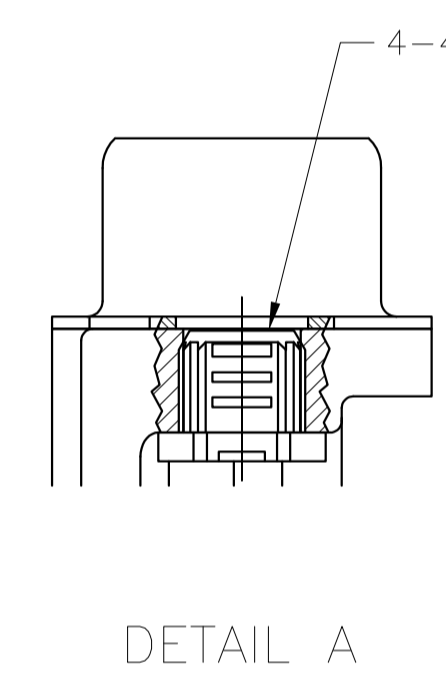
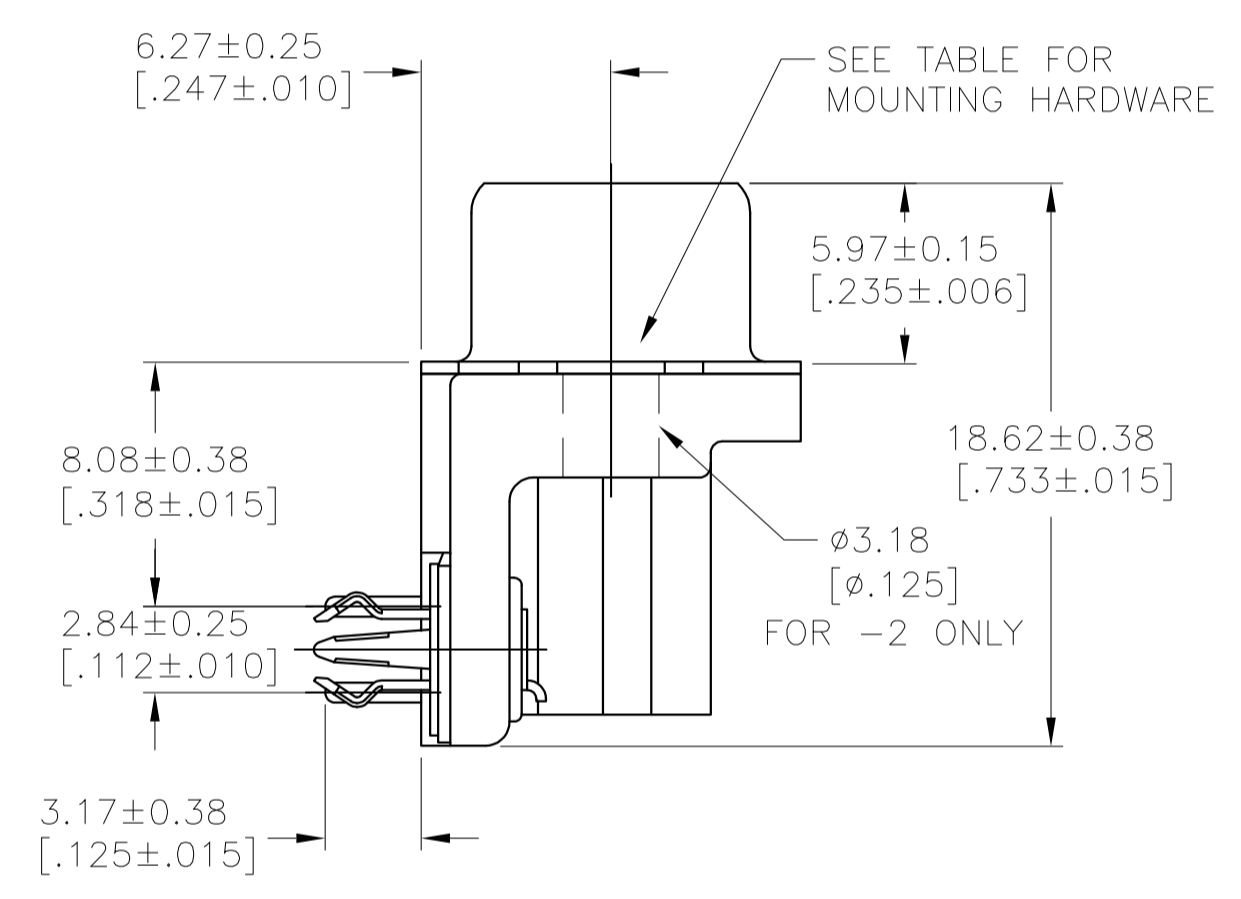
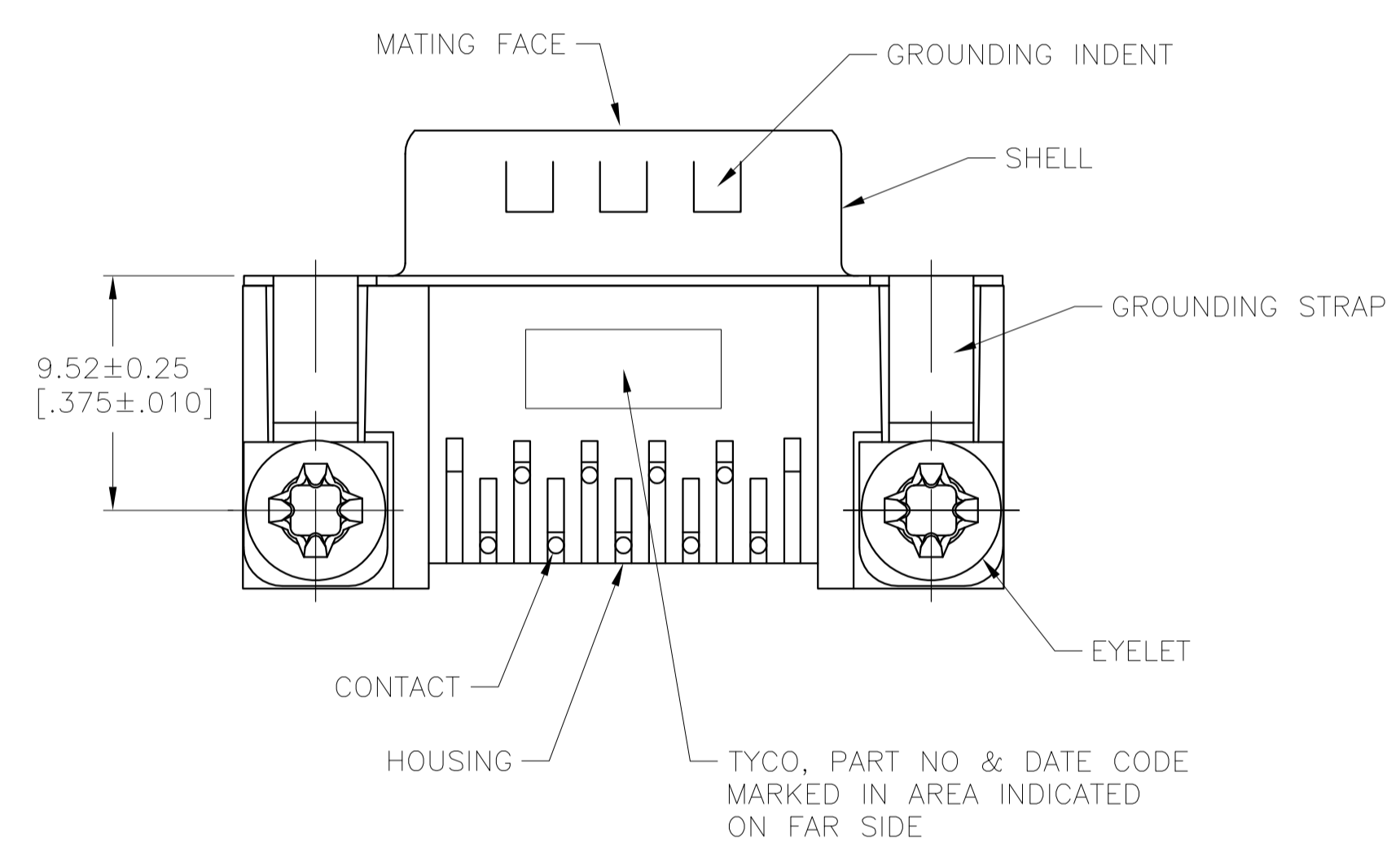


LOC		DIST		REVISIONS			
P	LTR	DESCRIPTION	DATE	DMN	APVD		
C		REVISED PER ECO-11-010489	22JUN2011	CJV	SLB		



- 1 HOUSING: NYLON OR POLYESTER, FLAME RETARDANT, 94V-0 RATED, COLOR BLACK.
SHELL: CARBON STEEL.
CONTACTS: BRASS.
EYELETS: BRASS.
BOARDLOCKS: COPPER ALLOY.
INSERTS: ZINC.
SCREWLOCKS: ZINC.
- 2 SHELL: .00254µm[.000100] MIN TIN OVER .00127µm[.000050] MIN COPPER.
CONTACTS: SEE TABLE.
EYELETS: .00508µm[.000200] MIN TIN OVER COPPER FLASH.
BOARDLOCKS: .00508µm[.000200] MIN TIN OVER .00127µm[.000050] MIN NICKEL.
INSERTS: CLEAR CHROMATE.
SCREWLOCKS: CLEAR CHROMATE.
- 3 0.76µm[.000030] MIN GOLD PLATE ON THE MATING SURFACES, 2.54µm[.000100] MIN TIN PLATE ON THE SOLDER END, 1.27µm[.000050] MIN NICKEL UNDERPLATE ON THE ENTIRE CONTACT
-OR-
GOLD FLASH OVER PALLADIUM-NICKEL PLATE, 0.76µm[.000030] MIN TOTAL ON THE MATING SURFACES, 2.54µm[.000100] MIN TIN PLATE ON THE SOLDER END, 1.27µm[.000050] MIN NICKEL UNDERPLATE ON THE ENTIRE CONTACT.
- 4 GOLD FLASH ON MATING END, .00254µm[.000100] MIN TIN ON SOLDER END, ALL OVER .00127µm[.000050] MIN NICKEL.



RECOMMENDED PC BOARD LAYOUT
1.57[.062] PC BOARD
(VIEWED FROM CONNECTOR SIDE)

**COPYRIGHT 2005
TYCO ELECTRONICS CORP
ALL RIGHTS RESERVED**

1	SEE DETAIL B	5747840-6
2	SEE DETAIL B	5747840-5
3	SEE DETAIL A	5747840-4
4	SEE DETAIL A	5747840-3
	NONE	5747840-2
	CONTACT FINISH	MOUNTING HARDWARE
		PART NUMBER

THIS DRAWING IS A CONTROLLED DOCUMENT.		DIN	J.GERACE	07FEB05	TE Connectivity
DIMENSIONS: INCHES		CHK	S.BOLASH	07FEB05	
TOLERANCES UNLESS OTHERWISE SPECIFIED:		APP'D	M.WALMSLEY	07FEB05	NAME
0 PLC	± -	PRODUCT SPEC		108-40025	PLUG ASSEMBLY, SIZE 1, 9 POS, RIGHT ANGLE, FRONT METAL SHELL, 8.08[.318] SERIES, AMPLIMITE HD-20
1 PLC	± -	APPLICATION SPEC		114-40010	SIZE
2 PLC	± -	WEIGHT		-	CAGE CODE
3 PLC	± 0.13[.005]	CUSTOMER DRAWING		SCALE	4:1
4 PLC	± - ±	DRAWING NO		A1	00779
ANGLES	± - ±	SHEET		1	OF 1
		REV		C	