

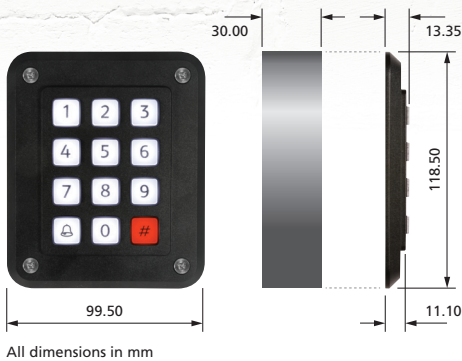
## The practical alternative to keys

The Storm AXS-DR2 keypad is a self contained single door access control system. The keypad will recognise up to 50 user programmed entry codes to allow access through a locked door.

Entering an authorised code will energise an electrically operated lock. 4, 5 or 6 Digit codes can be programmed to release the lock for a limited time before it automatically re-locks.

Alternatively, codes can be programmed to permanently release the lock until an authorised code is re-entered to re-lock. The AXS-DR2 is easily installed to any rigid surface, providing a convenient and practical alternative to the issuance of mechanical keys or key cards.

Storm AXS-DR2 keypads are rated for continuous use in outdoor or indoor locations. They are impact resistant and sealed against the ingress of water and dust. For dark or partially lit locations the AXS-DR2i keypad includes integral keytop illumination.



- Up to 50 user programmable entry codes
- Entry code indexing for secure allocation and re-allocation of entry codes
- 4, 5 or 6 digit entry codes
- Timed release or latching operation
- Timed lock out for "code hacker" resistance
- Remote exit switch facility
- Weather resistant to IP65
- Hidden entry code feature
- Optional privacy shield

### Performance

Operational key life: >4 million cycles per key  
 Keytop Travel: 1.4mm nominal  
 Actuation Force: 150gms nominal  
 Connector: Screw terminals



### Environmental

Operational temperature: -20°C to +70°C (dry)  
 Water and dust resistance: IP65 (when fixed to a suitable enclosure)



### Electrical

Operating Voltage: 12V DC +/- 10% (max)  
 Operating Current: 300mA (max at 12V DC)

### Material

Casing: High Impact Polymer (black)  
 Keytops: High Impact Polymer (black or translucent)  
 Backplate: Steel (corrosion protected)  
 Contact Circuit: Gold on Nickel Plated FR4

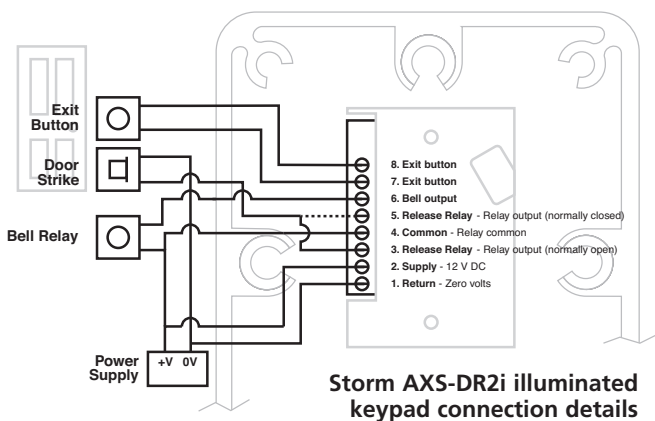
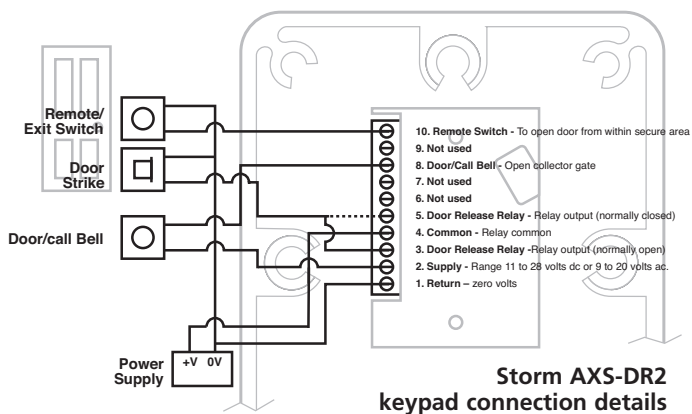


### Compliance

This device is designed to meet:

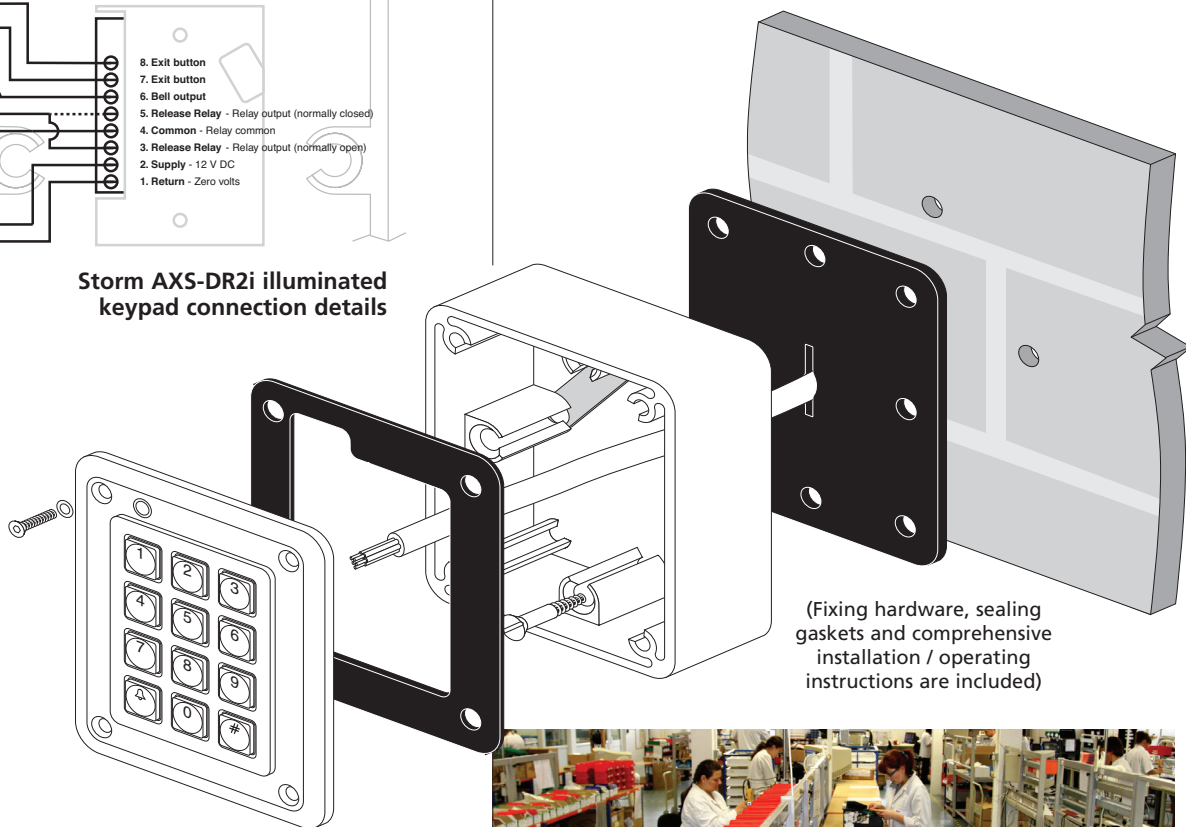
- EU RoHS
- EU Low Voltage Directive
- ESD: Up to +/- 15kV air discharge, +/- 7.5kV contact discharge
- WEEE Directive
- EMC-CE, FCC Part 15B Class B
- EN55022 Class B, EN60950, EN55024





The Storm AXS StrikeMaster, Single Door Keypad, is ideally suited for access control in outdoor and indoor locations. It is impact resistant and sealed against water and dust to IP65.

All Storm AXS Keypads incorporate proven Storm switching technology to ensure rapid, reliable and responsive data entry. Specified to survive in a variety of service environments, ranging from exposed, unsupervised public environments, to general service / indoor installations. Keypads in the Storm AXS range are dimensionally and electrically interchangeable. This allows users, entering codes at both outdoor and indoor access points to establish and maintain familiarity with the keypad features. Applications requiring two door control or alarm and door monitoring functions require the Storm AXS StrikeMaster DE Keypads.



(Fixing hardware, sealing gaskets and comprehensive installation / operating instructions are included)



Scan code for a programming guide and detailed installation instructions or download from:  
<http://www.storm-interface.com/download.aspx>



For more information & to order:

[www.storm-interface.com](http://www.storm-interface.com)



Whilst every effort is made to ensure details are correct at time of print, specifications are subject to change without notice.

Designed & produced by NIK Design  
[nik@nikdesign.co.uk](mailto:nik@nikdesign.co.uk)

Storm Interface products include technology protected by international patents and design registration. All rights reserved.

Storm is a trademark of Keymat Technology Ltd  
 Storm Interface is a trading name of Keymat Technology Ltd



AXS-DR2 Jan 2014

FM 39602

### Part Numbers

#### AXS-DR2/DR2i

AXS-DR2 Access Control Keypad  
 AXS-DR2i Illuminated Access Control Keypad

#### Accessories

DR2KT20 PIN Privacy Shield  
 DR2KW20 1KF5020

