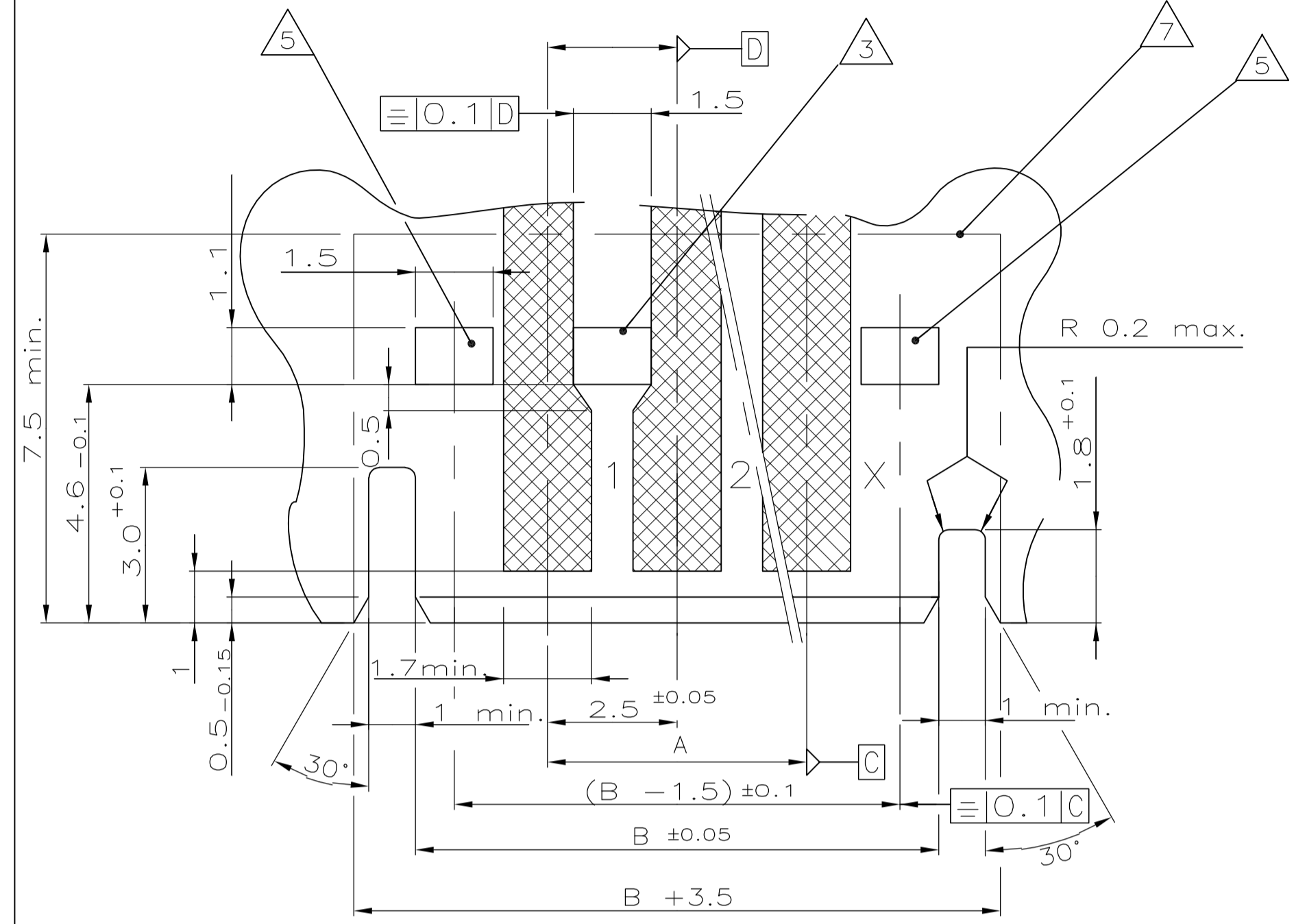
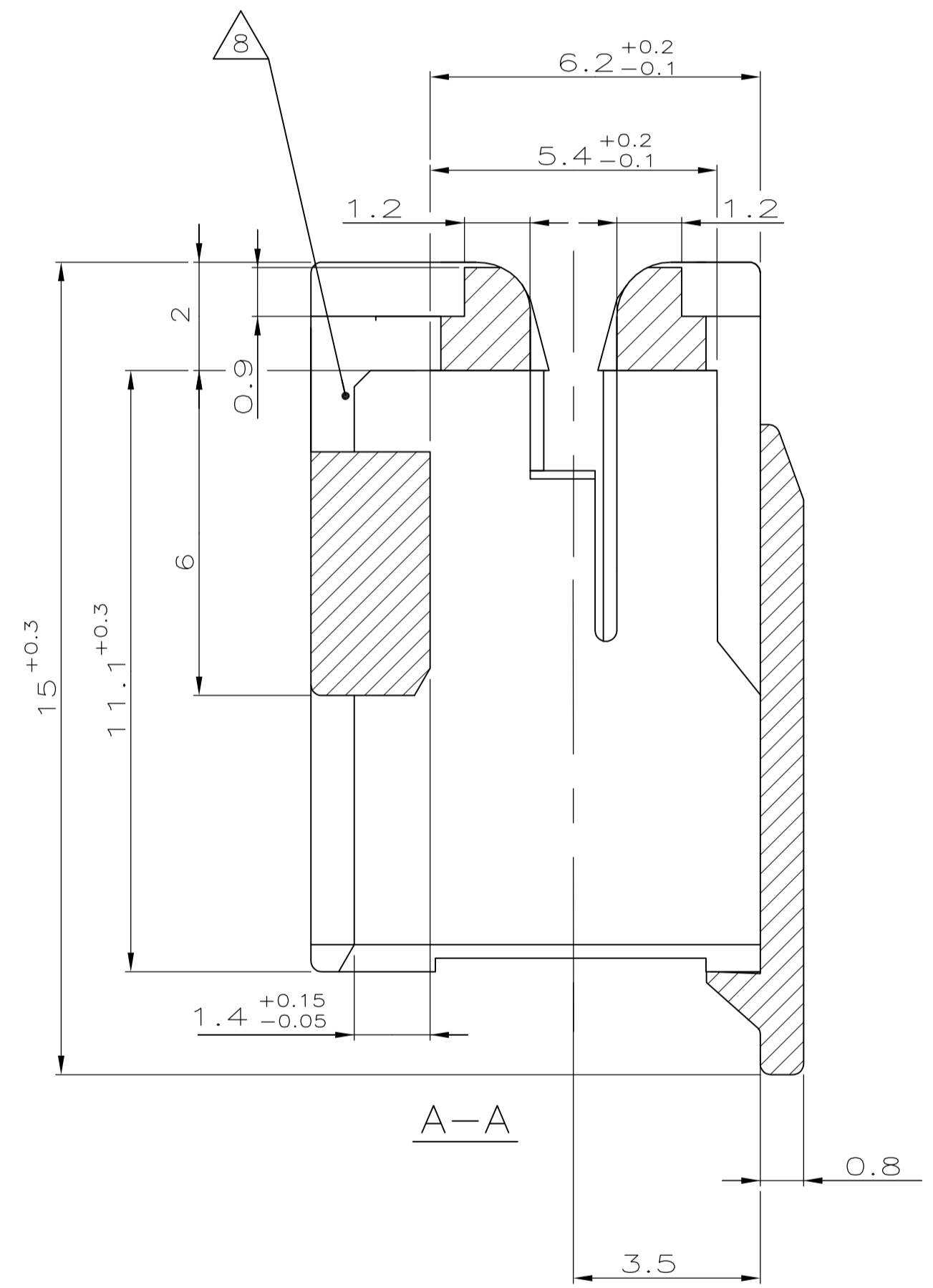
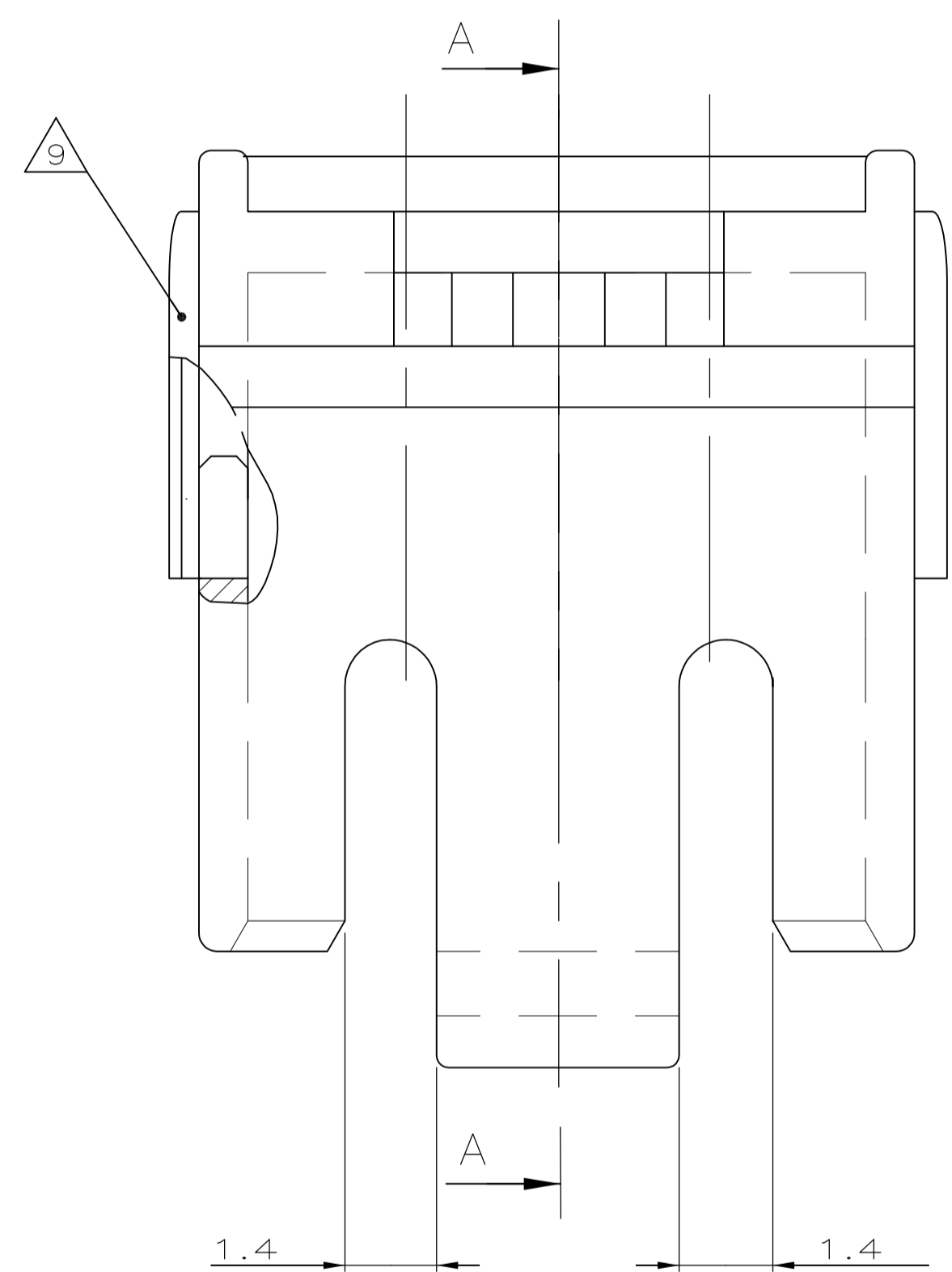
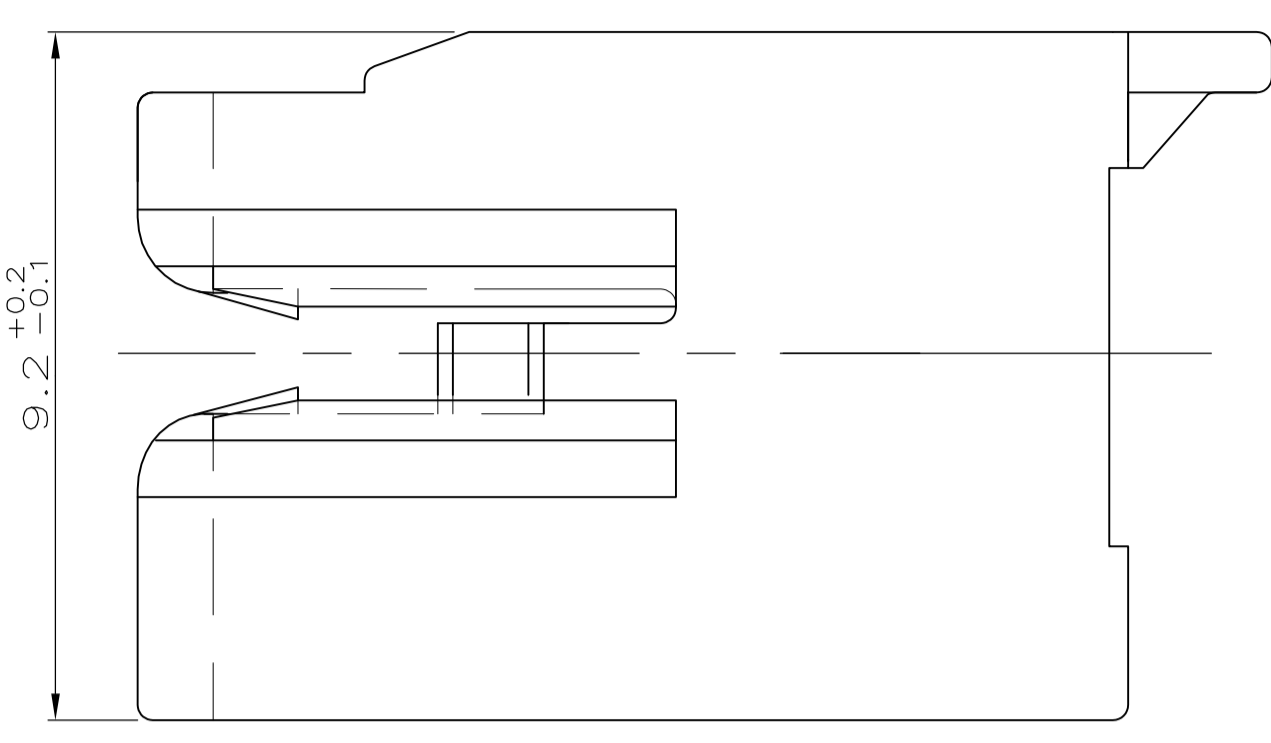
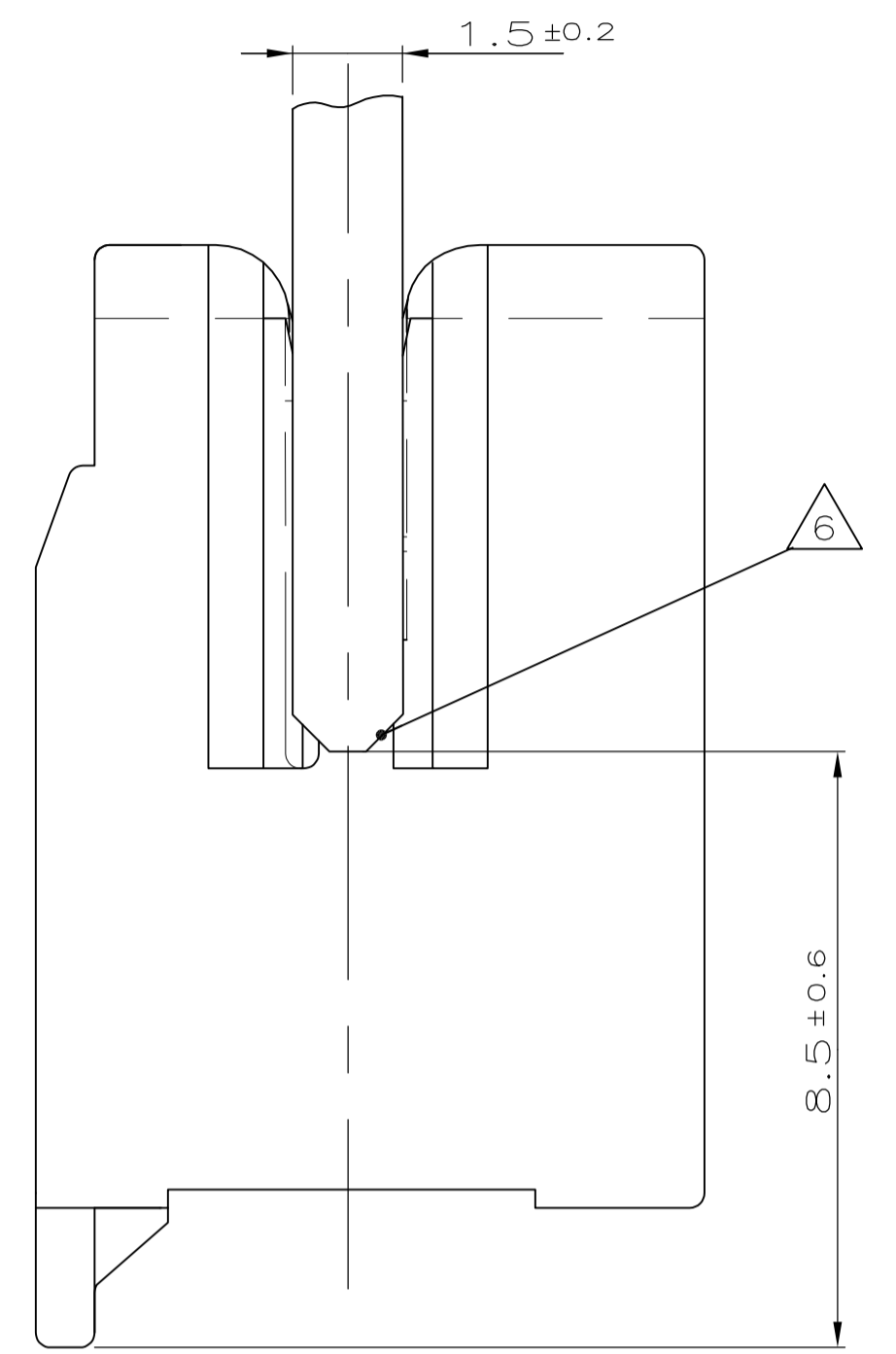


LOC	DIST	REVISIONS			
P	LTR	DESCRIPTION	DATE	DMN	APVD
C16	ECR-12-008385		24MAY2012	C.J	R.P



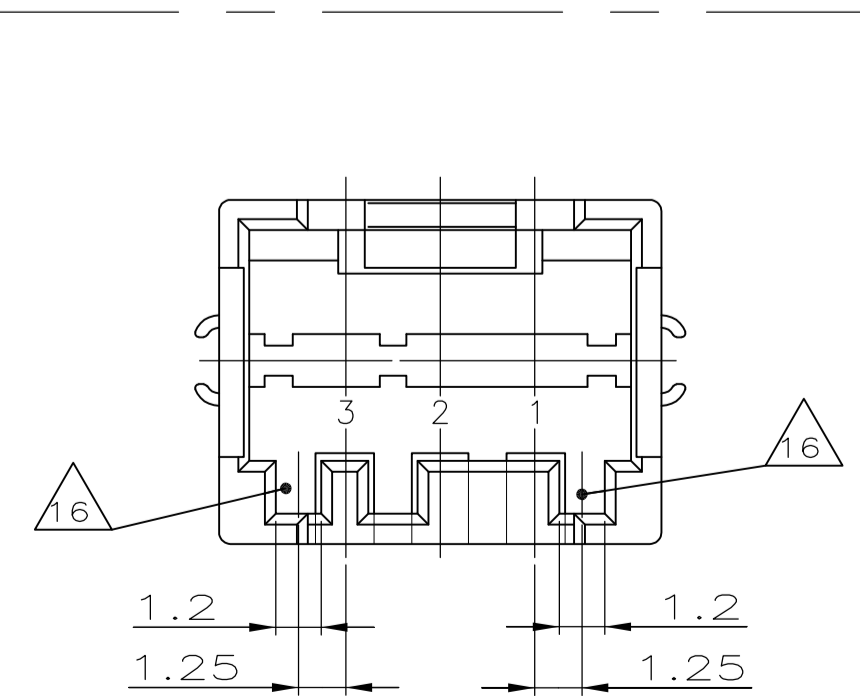
FREIABTOLERANZ ±0.1
TOLERANCE NOT SPECIFIED ±0.1



DRAHTABGANG
WIRE-DIRECTION

- 1 KODIERUNG ZWISCHEN KAMMER 1 UND 2 DARGESTELLT (AUF ANFRAGE)
KEYING SHOWN BETWEEN CAVITY 1 AND 2 (ON REQUEST)
- 2 RASTHAKEN BEI ERSTER UND LETZTER KAMMER IMMER VORHANDEN
LOCKING CLIP ALWAYS ON FIRST AND LAST CAVITY
- 3 ZUSÄTZLICHE RASTHAKEN UND RASTFENSTER ZWISCHEN KAMMER-NR. SIEHE BLATT 2 VON 2
ADDITIONAL LOCKING CLIP BETWEEN CAVITY NO. SEE SHEET 2 OF 2
- 4 KAMMERNUMMER
CAVITY-NO.
- 5 RASTFENSTER IMMER VORHANDEN
LOCKING WINDOW ALWAYS PRESENT
- 6 LEITERPLATTE VORZUGSWEISE ANGEFAST
PCB CHAMFERED PREFERABLE
- 7 PLATZBEDARF FÜR RAHMEN
AREA FOR FRAME
- 8 PRÜFÖFFNUNGEN
INSPECTION HOLES
- 9 KLEMMFEDERN; NICHT VOLL AUSGESPRITZTE KONTUR ZULÄSSIG
CLIPS; SHAPE NOT FULLY MOLDED PERMISSIBLE

- 10 Passende Gegenstecker siehe PN 829 868/966 194
MATING PARTS SEE PN 829 868/964 194
- 1 SIEHE BLATT 2 VON 2
SEE SHEET 2 OF 2
- 2 SIEHE BLATT 2 VON 2
SEE SHEET 2 OF 2
- 3 Außennuten eingeengt, Varianten siehe Kodierungsbild (Blatt 2 von 2)
GROOVES ON OUTSIDE NARROWED, VERSIONS SEE KEYING PLAN (SHEET 2 OF 2)
- 4 Gi?drahttest 750°C nach DIN EN 60695-2-11 ohne Flamme
GLOW WIRE TEST 750°C ACC.DIN EN 60695-2-11 WITHOUT FLAME
- 5 OBSOLETE
- 6 PRELIMINARY PART NOT FOR PRODUCTION.



POS.	DIM A	DIM B	DIM C	REV	BESTELL NR.	REV	
POLZAHL	MAß A	MAß B	MAß C		PART NO.		
-	20	47.5	52.6	49.5	-	1-	964 576-0
-	19	45.0	50.1	47	-	1- ^Δ	964 576-9
-	18	42.5	47.6	44.5	-	1-	964 576-8
-	17	40.0	45.1	42	-	2-	1- 964 576-7
-	16	37.5	42.6	39.5	-	1-	964 576-6
-	15	35.0	40.1	37	-	2- ^Δ	1- 964 576-5
-	14	32.5	37.6	34.5	-	1-	964 576-4
-	13	30.0	35.1	32	-	1- ^Δ	964 576-3
-	12	27.5	32.6	29.5	-	6- ^Δ 5- 4- ^Δ 3-	2- 1- ^Δ 964 576-2
-	11	25.0	30.1	27	-	2-	1- 964 576-1
-	10	22.5	27.6	24.5	-	3- ^Δ 2-	1- ^Δ 964 575-0
-	9	20.0	25.1	22	-	2-	1- 964 575-9
-	9	20.0	25.1	22	-	9-	964 575-9 ^Δ A
-	8	17.5	22.6	19.5	-	9-	964 575-8 ^Δ A
-	8	17.5	22.6	19.5	-	2-	1- 964 575-8 C
-	7	15.0	20.1	17	-	9- 8- ^Δ 7- ^Δ	964 575-7 ^Δ A
-	7	15.0	20.1	17	-	4- ^Δ 3-	2- 1- 964 575-7 C
-	6	12.5	17.6	14.5	-	3-	2- 1- 964 575-6 C
-	5	10.0	15.1	12	-	9- 8- 7- ^Δ	964 575-5 ^Δ A
-	5	10.0	15.1	12	-	4- 3- ^Δ	2- 1- 964 575-5 C
-	4	7.5	12.6	9.5	-	9- ^Δ	964 575-4 ^Δ C
-	4	7.5	12.6	9.5	-	4- ^Δ 3-	2- 1- 964 575-4 C
-	3	5.0	10.1	7	-	9-	2- ^Δ 1- 964 575-3 C
-	3	5.0	10.1	7	-	8-	3- 964 575-3 ^Δ A

THIS DRAWING IS A CONTROLLED DOCUMENT.

DIMENSIONS: mm	TOLERANCES UNLESS OTHERWISE SPECIFIED: ±0.2 mm	DMN	ATZMANN	06.07.92
		CHK	BORMUTH	06.07.92
		APVD		
MATERIAL	PA 6.6 25 % GF UL94 V-0	FINISH	SEE SHEET 2	

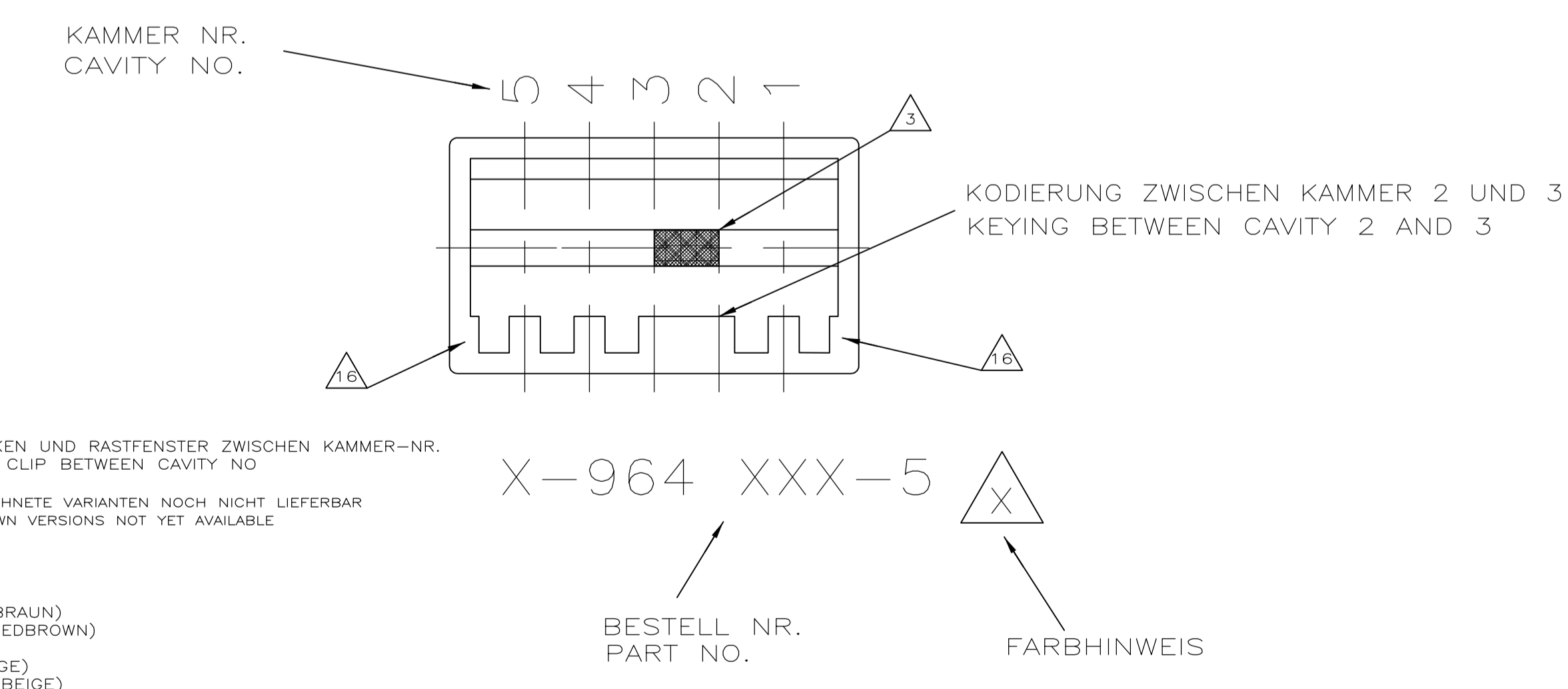
NAME: AMP DUOPLUG 2.5 SYSTEM PCB RAHMEN, 3-20 POL.
PRODUCT SPEC: AMP DUOPLUG 2.5 SYSTEM PCB FRAME, 3-20 POS.APPLICATION SPEC: -
SIZE: A1
CASE CODE: 00779
DRAWING NO: 964575
WEIGHT: -
CUSTOMER DRAWING

RESTRICTED TO: -
SCALE: 10:1
SHEET: 1 OF 2
REV: C16

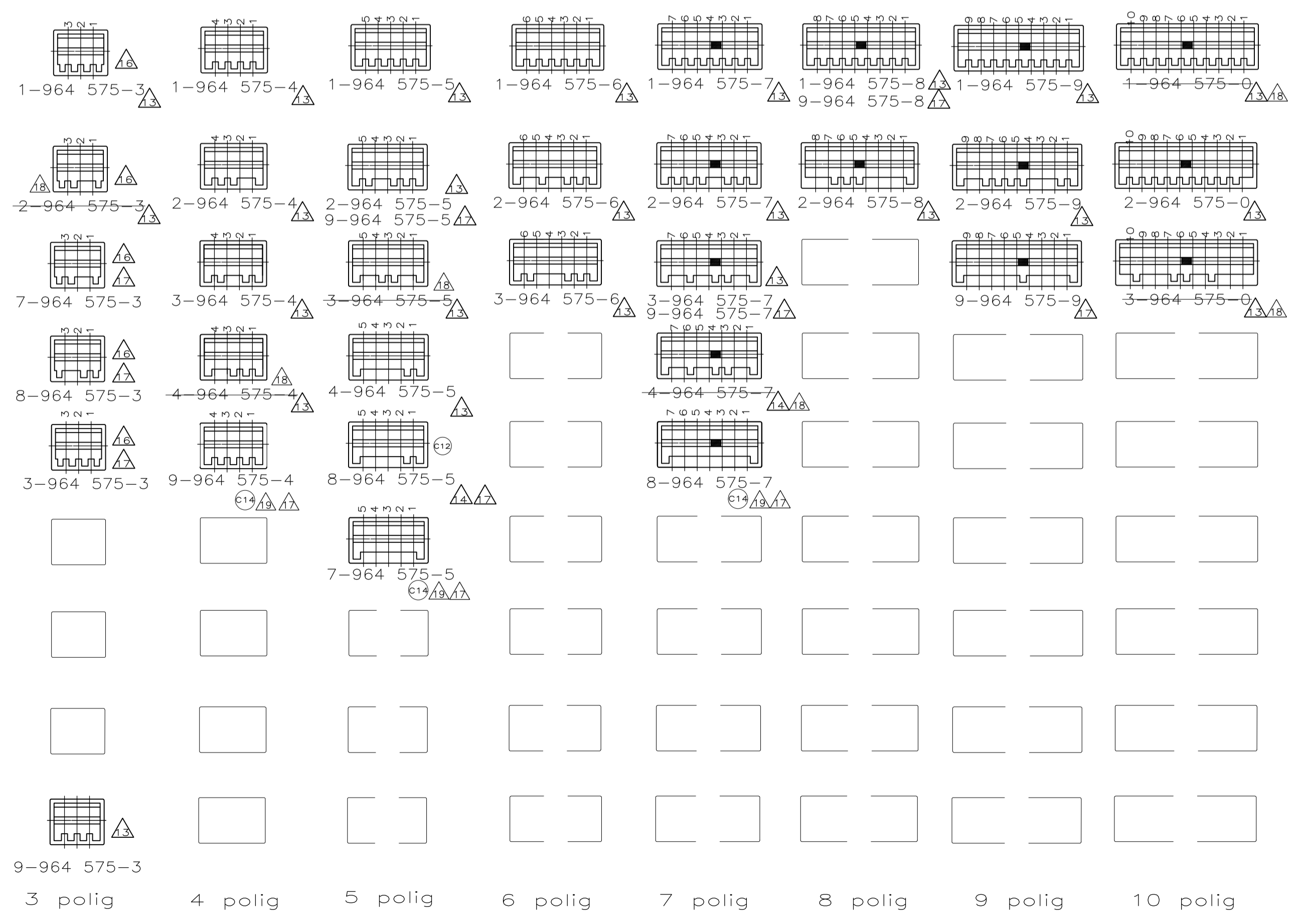
LOC		DIST		REVISIONS			
F	LTR	DESCRIPTION	DATE	DN	APVD		
-	-	SEE SHEET 1	-	-	-	-	-



BEISPIEL:
EXAMPLE:



- 3 ZUSÄTZLICHE RASTHAKEN UND RASTFENSTER ZWISCHEN KAMMER-NR.
ADDITIONAL LOCKING CLIP BETWEEN CAVITY NO.
- 12 MIT STRICHLINIE GEZEICHNETE VARIANTEN NOCH NICHT LIEFERBAR
WITH STROKE LINE DRAWN VERSIONS NOT YET AVAILABLE
- 13 FARBE: SCHWARZ
COLOUR: BLACK
- 14 FARBE: NATUR (ROTBRAUN)
COLOUR: NATURAL (REDBROWN)
- 15 FARBE: NATUR (BEIGE)
COLOUR: NATURAL (BEIGE)
- 16 Außennuten eingengt, Varianten siehe Kodierungsbilder
GROOVES ON OUTSIDE NARROWED, VERSIONS SEE KEYING SCETCHES



THIS DRAWING IS A CONTROLLED DOCUMENT.		DIN MASEK 05.04.93	TE Connectivity	
DIMENSIONS: mm		CHK BORMUTH 05.04.93		
TOLERANCES UNLESS OTHERWISE SPECIFIED: ±0.2 mm		APVD	NAME: AMP DUOPLUG 2.5 SYSTEM PCB RAHMEN 3-20 POL. AMP DUOPLUG 2.5 SYSTEM PCB FRAME 3-20 POL.	
0 PLC ± -		PRODUCT SPEC	APPLICATION SPEC	
1 PLC ± -		SIZE	CAGE CODE DRAWING NO.	
2 PLC ± -		WEIGHT	A1 00779 964575	
3 PLC ± -		CUSTOMER DRAWING	SCALE 10:1 SHEET 2 OF 2 REV C16	
4 PLC ± -				
5 PLC ± -				
6 PLC ± -				
7 PLC ± -				
8 PLC ± -				
9 PLC ± -				
10 PLC ± -				

Mouser Electronics

Authorized Distributor

Click to View Pricing, Inventory, Delivery & Lifecycle Information:

[TE Connectivity:](#)

[1-964575-8](#)