

**PLUG:** MM-212-031-161-22WQ  
**RECEPTACLE:** MK-2G2-031-275-460S-900  
 XX-XXX-XXX-XXX-XXXX-XXX

**PLUG**

**RECEPTACLE**

**SERIES**

MM .050" Rugged Metal I/O Connector (MM mates with MK, ML, MM, MN receptacles)	MK .050" Rugged Metal Card Edge Mount (MK mates with MK, ML, MM, MN plugs)
-----------------------------------------------------------------------------------	-------------------------------------------------------------------------------

**BODY**

2 2-Row (Sizes 9 thru 37)	2 2-Row (Sizes 9 thru 37)
3 3-Row (Size 51 & 69)	3 3-Row (Size 51 & 69)
4 4-Row (Size 100)	4 4-Row (Size 100)

<b>BODY STYLE:</b> 1 Plug, straight, with ears	<b>BODY STYLE:</b> G Receptacle, straight, card edge with mounting brackets
---------------------------------------------------	--------------------------------------------------------------------------------

<b>BODY MATERIAL:</b> 2 Polyphenylene Sulfide with electroless nickel shell	<b>BODY MATERIAL:</b> 2 Polyphenylene Sulfide with electroless nickel shell
3 Polyphenylene Sulfide with electrodeposited cadmium shell <input checked="" type="checkbox"/>	3 Polyphenylene Sulfide with electrodeposited cadmium shell <input checked="" type="checkbox"/>
4 Polyphenylene Sulfide with hard anodized black shell	4 Polyphenylene Sulfide with hard anodized black shell

**SIZE**

XXX 009, 015, 021, 025, 031, 037, 051, 069, 100	XXX 009, 015, 021, 025, 031, 037, 051, 069, 100
-------------------------------------------------	-------------------------------------------------

**CONTACTS**

<b>TYPE CONTACTS/TERMINATIONS:</b> 11 Pin, straight, solder cup	<b>TYPE CONTACTS/TERMINATIONS:</b> 27 Socket, surface mount, .062-.094" pcb thickness (.010 dia)
14 Pin, straight, .500" pigtails (.018 dia)	28 Socket, surface mount, .109-.140" pcb thickness (.010 dia)
15 Pin, straight, 1.000" pigtails (.018 dia)	
16 Pin, straight, crimped wire	

<b>PLATING OPTIONS:</b> 1 50 μ" Au contacts (crimp wire)	<b>PLATING OPTIONS:</b> 5 50 μ" Au contacts; Sn/Pb alloy terminations <input checked="" type="checkbox"/>
3 50 μ" Au contacts; 10 μ" Au terminations (solder cup, pigtail)	8 50 μ" Au contacts; Sn plated terminations
5 50 μ" Au contacts; Sn/Pb alloy terminations (pigtail) <input checked="" type="checkbox"/>	
7 50 μ" Au contacts; SAC305 terminations (pigtail)	

**HARDWARE**

<b>STYLE OF HARDWARE:</b> 00 None	<b>STYLE OF HARDWARE:</b> 32 Two fixed jacknut assemblies (72*)
22 Two fixed jacknut assemblies (62*)	46 Two turning jackscrews, allen head, captivated** (86*)
41 Two turning jackscrews, allen head, retaining ring (81*)	
42 Two long turning jackscrews, allen head, retaining ring (82*)	
43 Two turning jackscrews, slot head, retaining ring (83*)	
44 Two long turning jackscrews, slot head, retaining ring (84*)	
45 Two turning jackscrews, allen head, captivated** (85*)	

<b>POLARIZATION / WIRING:</b> 00 None	<b>POLARIZATION / WIRING</b> 0S Standard Body Polarization
XX For wiring codes, see page MA-3 & MA-4	

**OPTIONS**

900 Interfacial sealing gasket
--------------------------------

\* = Use number in parenthesis when ordering size 100.  
 \*\* = Captive hardware is factory installed and non-removable.  
 = Option not RoHS compliant

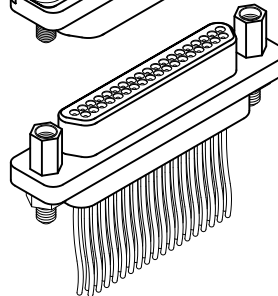
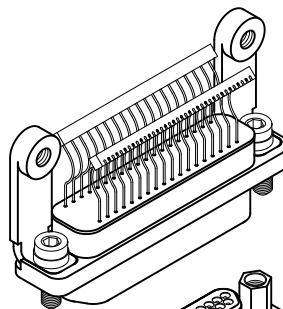


# Card Edge Mount to Cable

.050"

9 thru 100 Contacts

MK-2G2-037-275-460S  
(METAL)



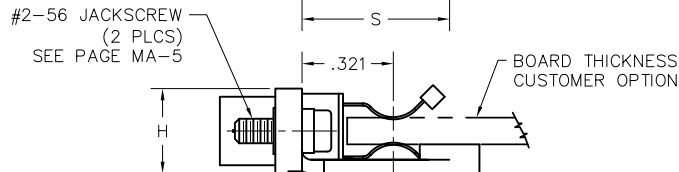
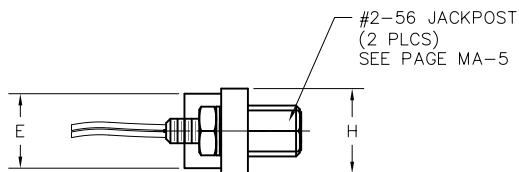
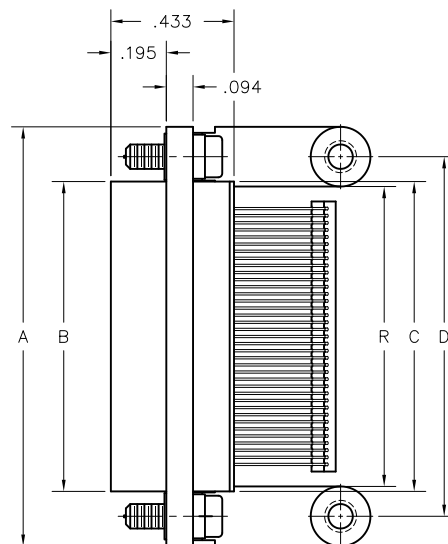
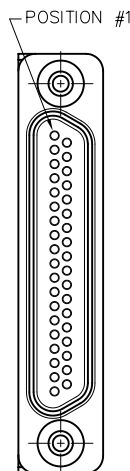
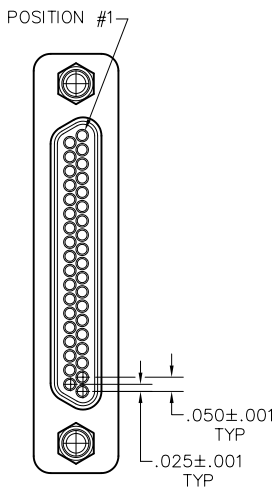
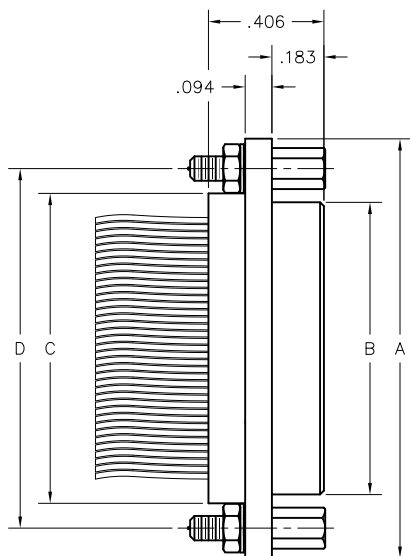
MM-212-037-161-22WQ  
(METAL)

## Rugged Card Edge Mount

**MK**

Rugged Metal

**MM**



PLUG

RECEPTACLE

SIZE	CONTACT ROWS	DIMENSIONS										
		A	B		C	D	E POTTING WELL MAX	H	HARDWARE	MOUNTING HOLES	R	S
			PLUG MAX	RCPT MAX								
9	2	.775	.334	.400	.390	.565	.270	.298	#2-56 UNC THD	#4-40 UNC THD	.355	.519
15		.925	.484	.550	.540	.715					.505	
21		1.075	.634	.700	.690	.865					.655	
25		1.175	.734	.800	.790	.965					.755	
31		1.325	.884	.950	.940	1.115					.905	
37		1.475	1.034	1.100	1.090	1.265					1.055	
51	3	1.425	.984	1.050	1.040	1.215	.310	.341	#4-40 UNC THD	#4-40 UNC THD	1.005	
69		1.725	1.284	1.350	1.340	1.515					1.309	
100		2.160	1.384	1.508	1.432	1.800					1.514	.540

# Mouser Electronics

Authorized Distributor

Click to View Pricing, Inventory, Delivery & Lifecycle Information:

[AirBorn:](#)

[MK-2G2-015-275-320S](#)