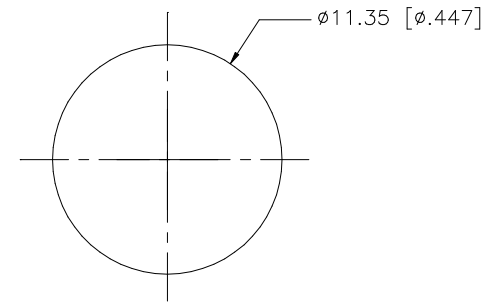
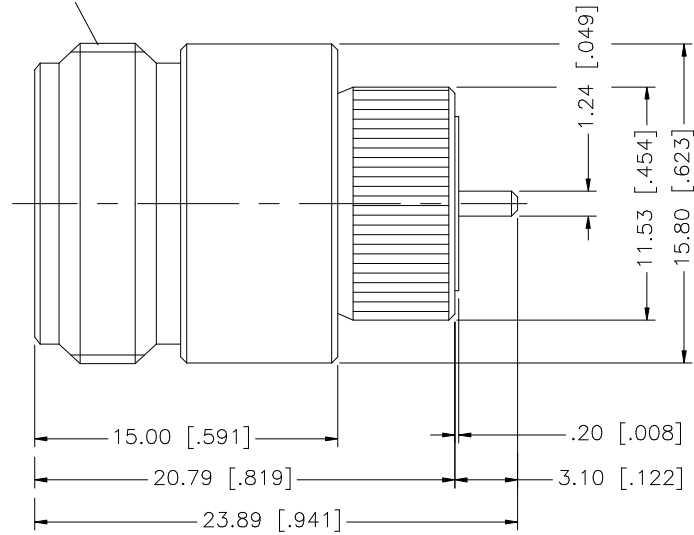


REV.	DATE	DESCRIPTION
NC	08/16/99	INITIAL RELEASE
A	05/29/07	UPDATE DRAWING FORMAT

5/8-24UNEF-2A



RECOMMENDED
MOUNTING HOLE

				UNLESS OTHERWISE SPECIFIED DIMENSIONS ARE IN MILLIMETERS. DIMENSIONS IN [] ARE IN INCHES AND FOR CUSTOMER REFERENCE ONLY.	APPROVALS	DATE	Amphenol Connex							
8				UNLESS OTHERWISE SPECIFIED TOLERANCES FOR MILLIMETERS ARE: 0.5 - 8mm ± 0.20mm 8 - 30mm ± 0.40mm 30 - 120mm ± 0.50mm UNLESS OTHERWISE SPECIFIED TOLERANCES FOR INCHES ARE: .020 - .315 = ± 0.007" .315 - 1.180 = ± 0.015" 1.180 - 4.724 = ± 0.020" DO NOT SCALE DRAWING	DRAWN	G.R.S.					05/29/07	PART DESCRIPTION N PRESS FIT RECEPTACLE -		
7			CHECKED				PART NO. 172248							
6			ISSUED								DWG. NO. 172248.DWG			
5			SHEET		1 OF 1		REV. A	SIZE A	SCALE NA					
4					CAD FILE	C:/172/172248.DWG								
3	CONTACT PIN	BER. COPPER	GOLD	1										
2	INSULATOR	TEFLON	NATURAL	1										
1	BODY	BRASS	NEXCOTE	1										
DESCRIPTION				MATERIAL	FINISH	QTY								

Mouser Electronics

Authorized Distributor

Click to View Pricing, Inventory, Delivery & Lifecycle Information:

[Amphenol:](#)

[172248](#)