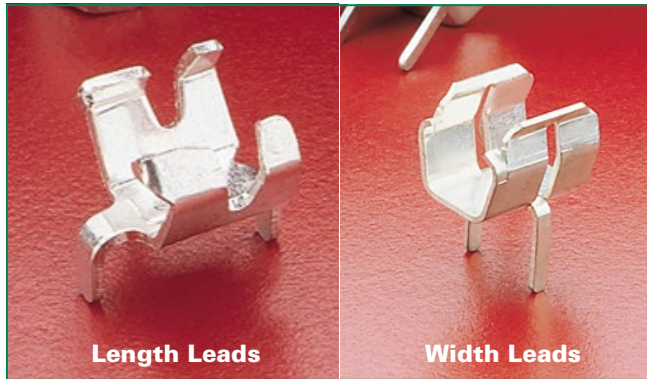



## 100/102/122 Series Low Profile Circuit Board Mount Fuse Clips for 1/4" Diameter Fuses RoHS



### Product Characteristics

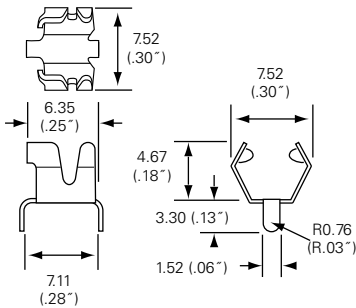
	102 080	122 090	100 058
<b>Compatible Fuse Size</b>	<b>1/4" Diameter and 6.3mm Fuses</b>		
<b>Current Level</b>	15 Amps max	30 Amps max	15 Amps max

### Agency Approval

Agency	Agency File Number		
	<b>102 080</b>	<b>122 090</b>	<b>100 058</b>
	E14721		

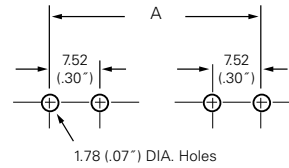
### Product Dimensions

#### 102/122 Series



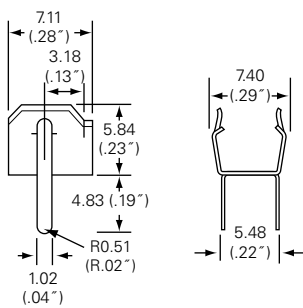
#### Mounting Dimensions for 102/122 Series

Nominal Fuse Length	"A" Length
5/8	.760
3/4	.880
7/8	1.005
1	1.130
1 1/16	1.195
1 1/4	1.380
1 7/16	1.570



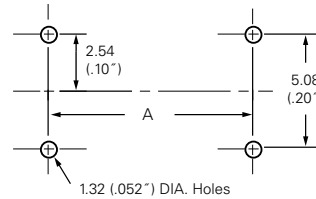
#### Recommended Mounting Dimensions

#### 100 Series



#### Mounting Dimensions for 100 Series

Nominal Fuse Length	"A" Length
1	0.781
1 1/14	1.035
1 7/16	1.250



#### Recommended Mounting Dimensions

## Ordering Information

Ordering PN*	Catalog No.	Clip Material	Plating	Style	Packaging Available
0102 0080	102 080	Spring Brass	Tin-plated	Ear	Z
0122 0090	122 090	Beryllium Copper	Silver-plated	Ear	Z & ZR
0100 0058	100 058	Spring Brass	Tin-plated	Ear	Z

**Add Suffix to the Ordering PN for Packaging**

"Z" = for bulk package, 2000pcs

ZR = Tape and reel package, 500pcs

## Additional Information



**Datasheet  
100 Series**



**Resources  
100 Series**



**Samples  
100 Series**



**Datasheet  
102 Series**



**Resources  
102 Series**



**Samples  
102 Series**



**Datasheet  
122 Series**



**Resources  
122 Series**



**Samples  
122 Series**

# Mouser Electronics

Authorized Distributor

Click to View Pricing, Inventory, Delivery & Lifecycle Information:

[Littelfuse:](#)

[122090](#) [01020080Z](#) [01000058M](#) [01220090Z](#) [01000058Z](#) [01220090H](#) [01220090N](#) [01020080H](#) [01000058N](#)  
[01220090ZR](#)