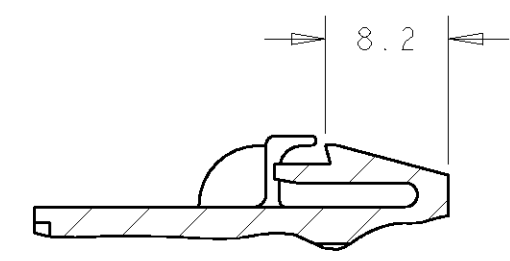
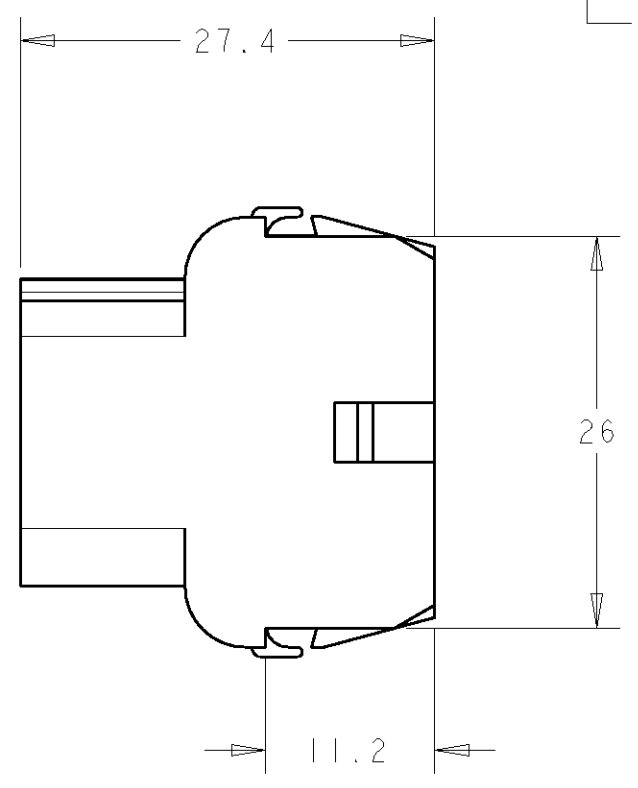
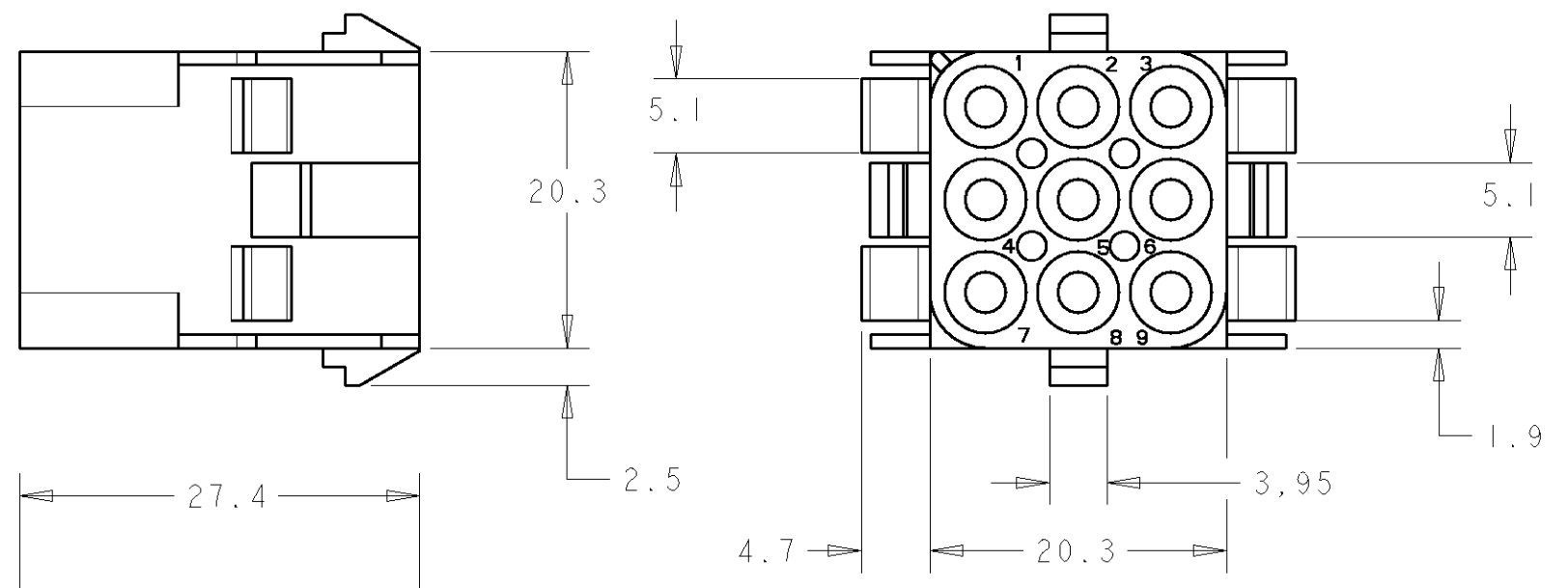
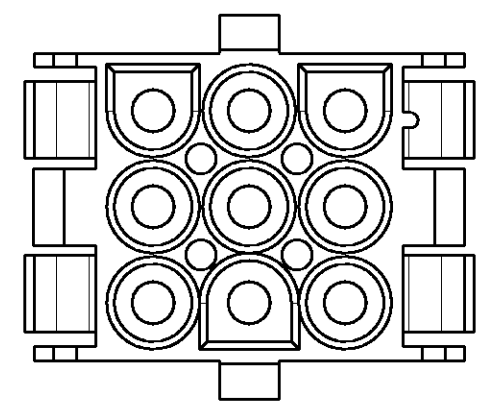
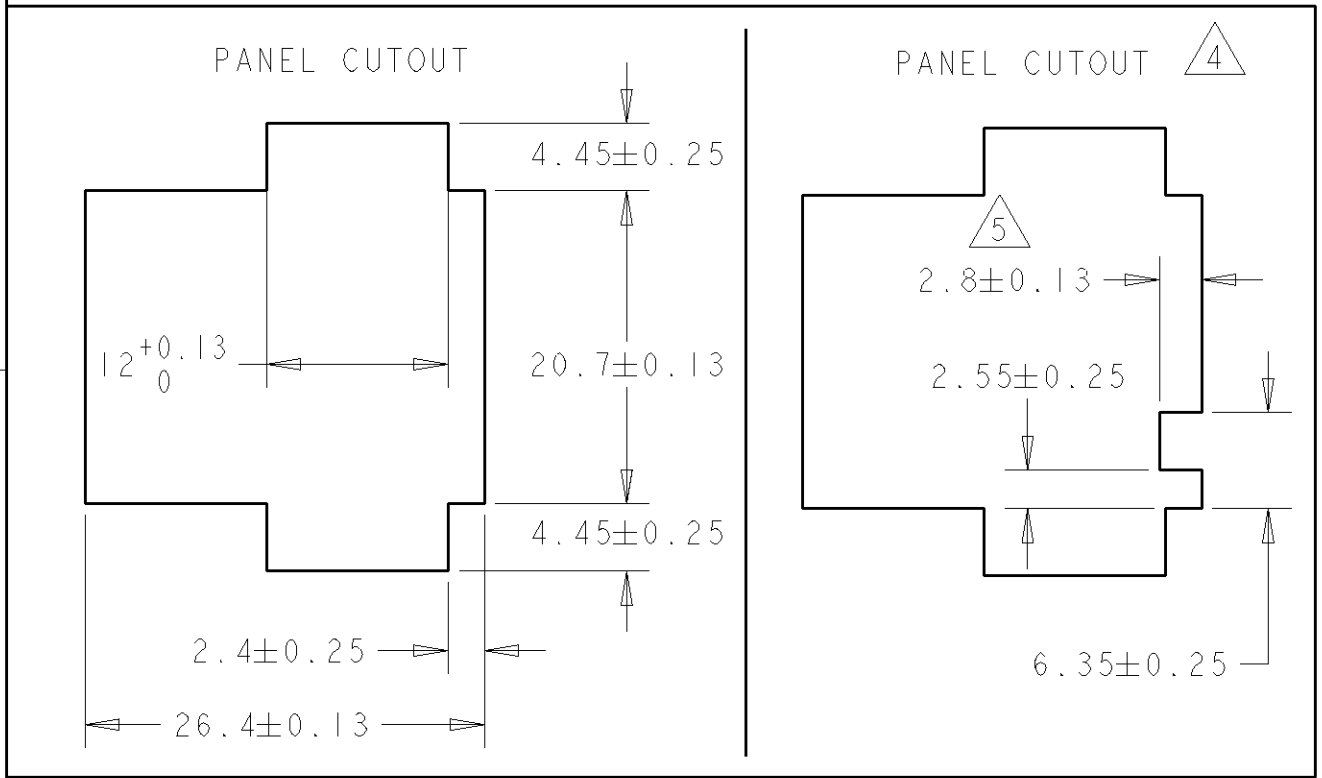


THIS DRAWING IS UNPUBLISHED. RELEASED FOR PUBLICATION 20  
 © COPYRIGHT 20 BY TYCO ELECTRONICS CORPORATION. ALL RIGHTS RESERVED.

LOC	DIST	REVISIONS			
P	LTR	DESCRIPTION	DATE	DWN	APVD
AL	I	F	REDRAWN AND ADDED NOTE ABOUT GWFI	05MAR2008	J.S. L.B.



SECTION A-A



- 1 SUITABLE FOR PIN AND FEMALE CONTACTS
- 2 RECOMMENDED SHEET METAL THICKNESS 0,75 - 2,3 mm.
- 3 HOUSING MUST BE INTRODUCED IN PUNCHING DIRECTION.
- 4 FOR CODED USING OF THE HOUSINGS
- 5 POSITION OF CAVITY I FOR CODED USING
- 6 NEW MATERIAL (PHOSPOR AND HALOGENEUS FREE).
- 7 GWT 750°C (WITHOUT FLAME) ACCORDING IEC 60335-1 EDITION 06/2001
- 8 MATERIAL WITH GWFI 850°C

927231-5	PA6 UL-94 V2	NATURAL $\Delta_7$ $\Delta_8$
927231-4	PA66 UL-94 V0	WHITE
927231-3	PA66 UL-94 V0	NATURAL $\Delta_6$
927231-2	PA66 UL-94 V0	BLACK
927231-1	PA66 UL-94 V0	NATURAL
PN	MATERIAL	COLOUR

<small>THIS DRAWING IS A CONTROLLED DOCUMENT FOR TYCO ELECTRONICS CORPORATION IT IS SUBJECT TO CHANGE AND THE CONTROLLING ENGINEERING ORGANIZATION SHOULD BE CONTACTED FOR THE LATEST REVISION.</small>		DWN J.SALO 05MAR2008 CHK J.LAZARO 06MAR2008 APVD L.BATILLO 06MAR2008		Tyco Electronics AMP España, S.A. Barcelona, Spain.	
DIMENSIONS: mm 		TOLERANCES UNLESS OTHERWISE SPECIFIED: 0 PLC ±0,2 1 PLC ±0,2 2 PLC ±0,2 3 PLC ± 4 PLC ± ANGLES ± FINISH -		PRODUCT SPEC 108-1031 APPLICATION SPEC 114-18011 WEIGHT -	
MATERIAL SEE TABLE		CUSTOMER DRAWING		NAME UMNL 9 WAY CAP HOUSING SIZE A3 CAGE CODE 00779 DRAWING NO C=C-927231 RESTRICTED TO - SCALE 2:1 SHEET 1 OF 1 REV F	