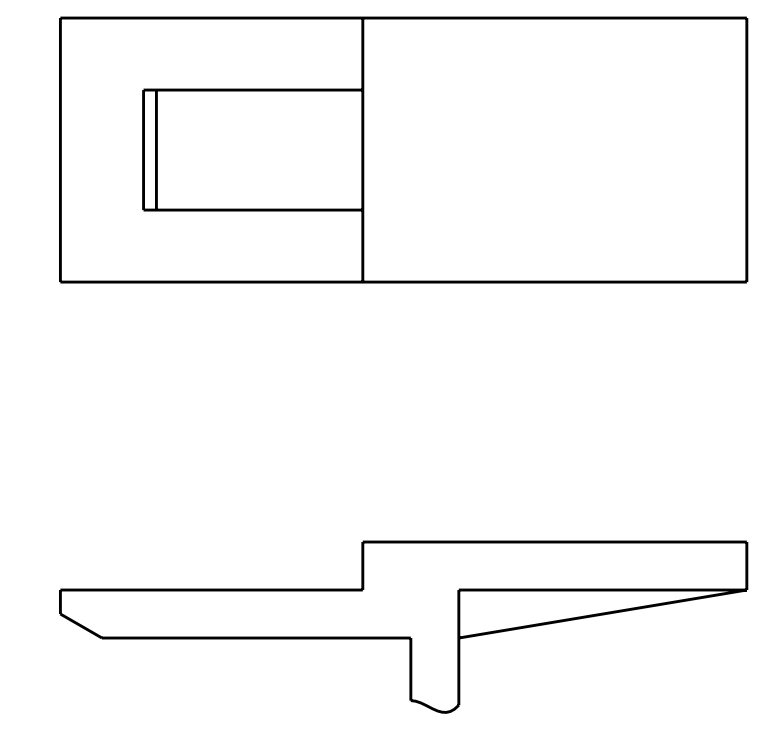
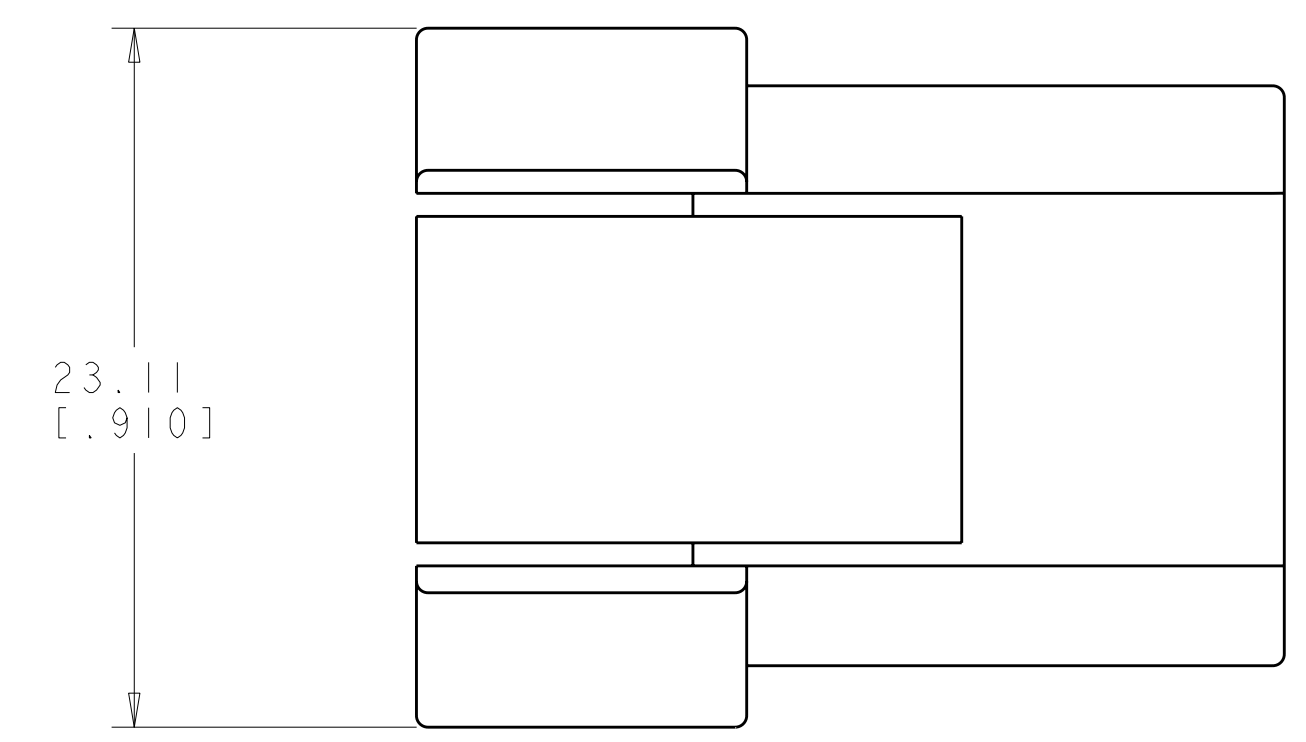
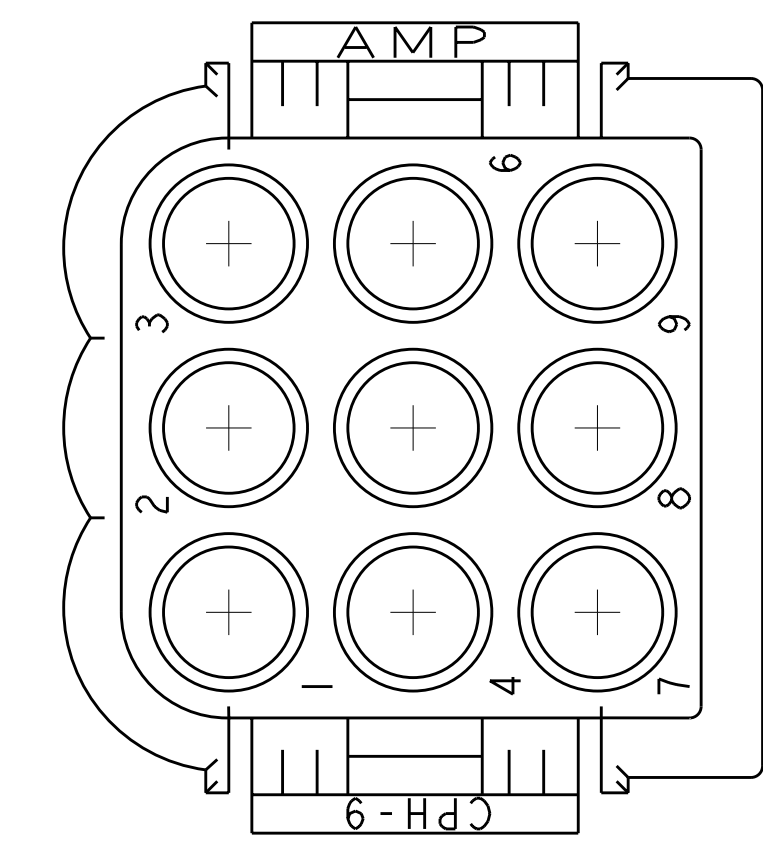
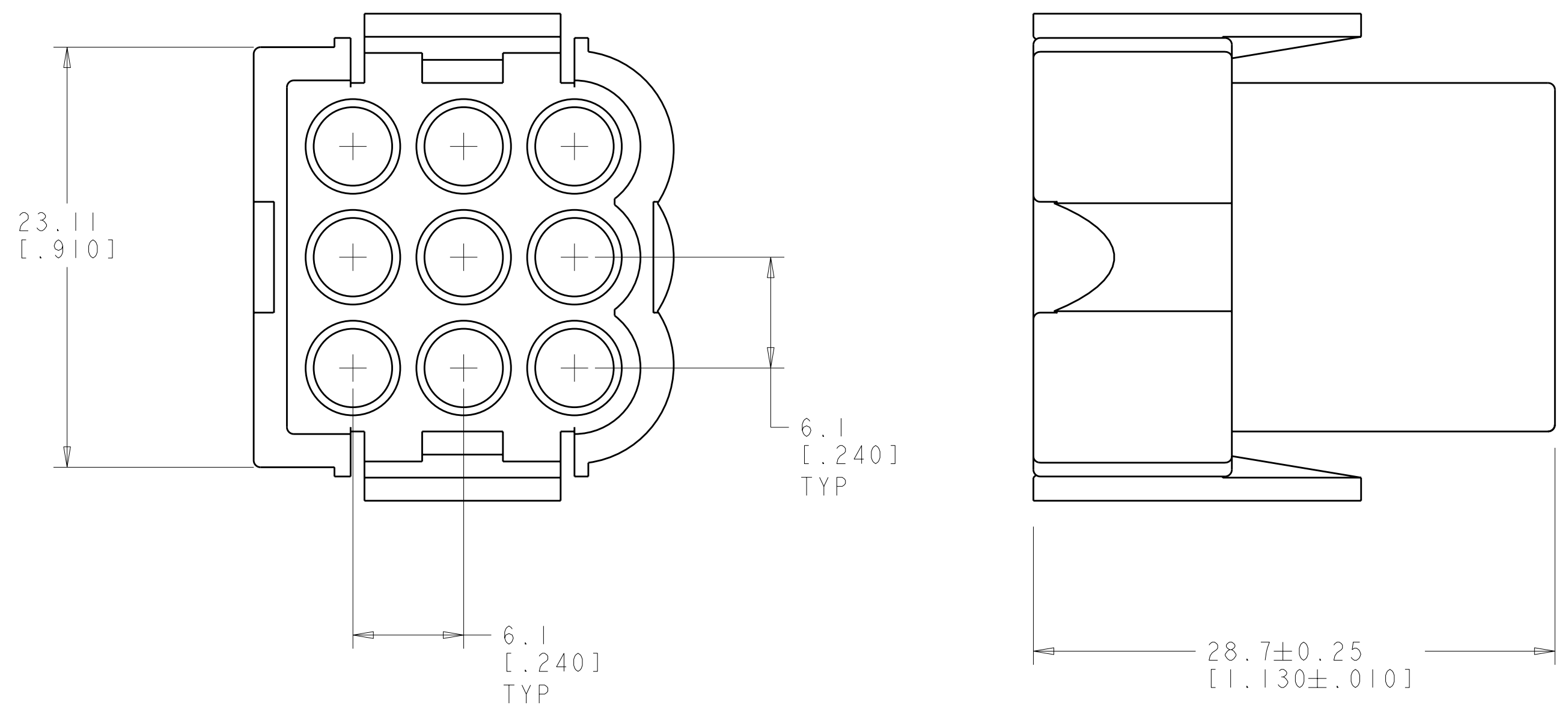
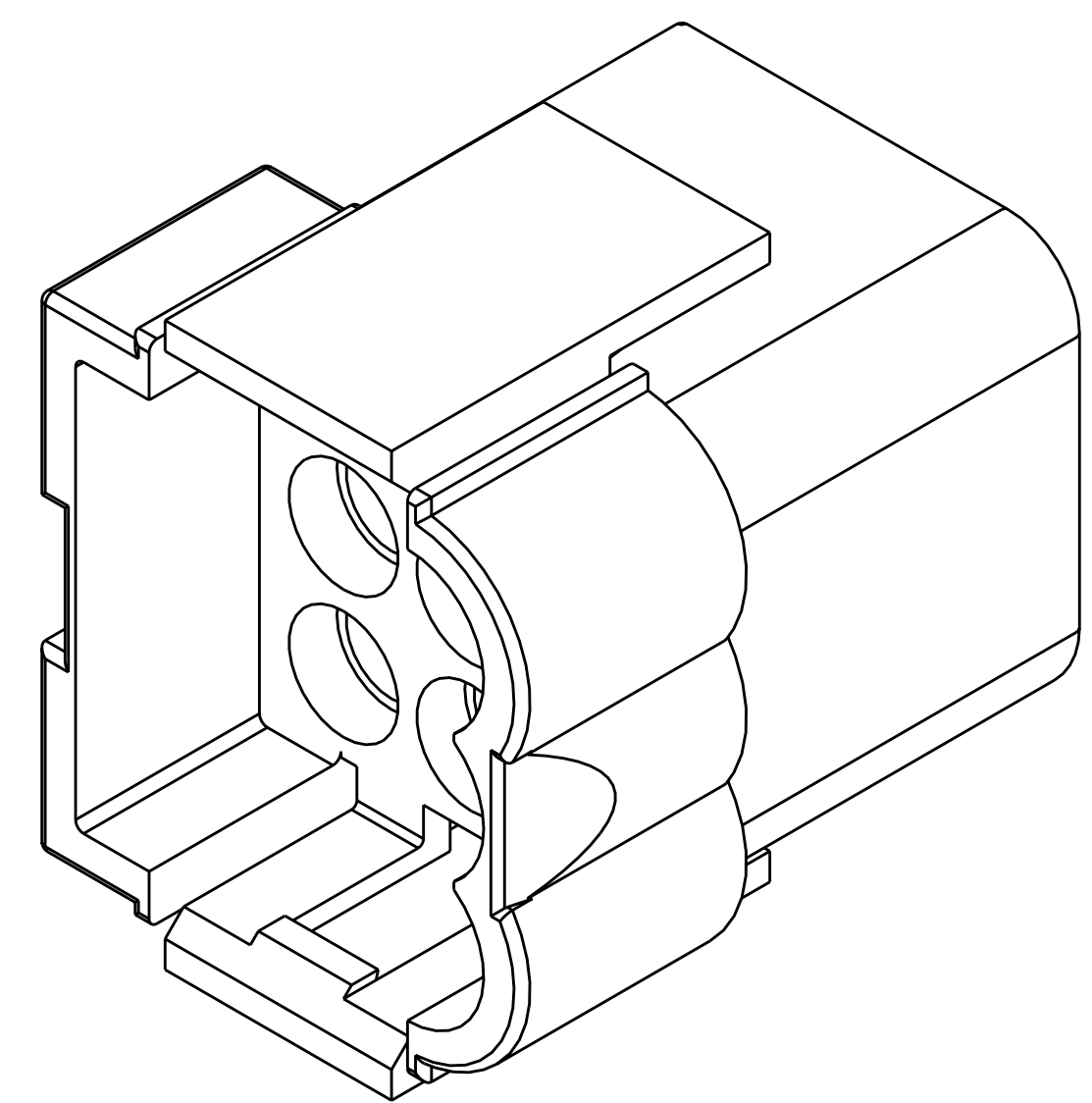


LOC		DIST		REVISIONS			
CM	00	P	LTB	DESCRIPTION	DATE	DWN	APVD
		N2		REVISED PER ECO-08-027040	30OCT2008	HMR	CC



OPTIONAL CONSTRUCTION



METRIC

DIMENSIONS: mm [INCHES]		TOLERANCES UNLESS OTHERWISE SPECIFIED:		DWN R. WHITAKER 15MAY2007		0.321 IN ³		NATURAL		1-480673-0	
9 PLC ±		9 PLC ±		CHK C. CASH 15MAY2007		VOLUME		COLOR		PART NUMBER	
8 PLC ±		8 PLC ±		APVD C. CASH 15MAY2007		-		-		-	
7 PLC ±		7 PLC ±		PRODUCT SPEC		-		-		-	
6 PLC ±		6 PLC ±		APPLICATION SPEC		-		-		-	
5 PLC ±		5 PLC ±		NAME		-		-		-	
4 PLC ±		4 PLC ±		Tyco Electronics		-		-		-	
ANGLES ±		ANGLES ±		Tyco Electronics		-		-		-	
FINISH		FINISH		Harrisburg, PA 17105-3608		-		-		-	
MATERIAL NYLON UL 94V-2		MATERIAL NYLON UL 94V-2		NAME		-		-		-	
-		-		CAP. 9 CIRCUIT, .140 MATE-N-LOK(TM)		-		-		-	
-		-		SIZE CAGE CODE DRAWING NO		-		-		-	
-		-		A 100779 C-480673		-		-		-	
-		-		RESTRICTED TO		-		-		-	
-		-		CUSTOMER DRAWING		-		-		-	
-		-		SCALE 4:1		-		-		-	
-		-		SHEET 1 OF 1		-		-		-	
-		-		REV N2		-		-		-	