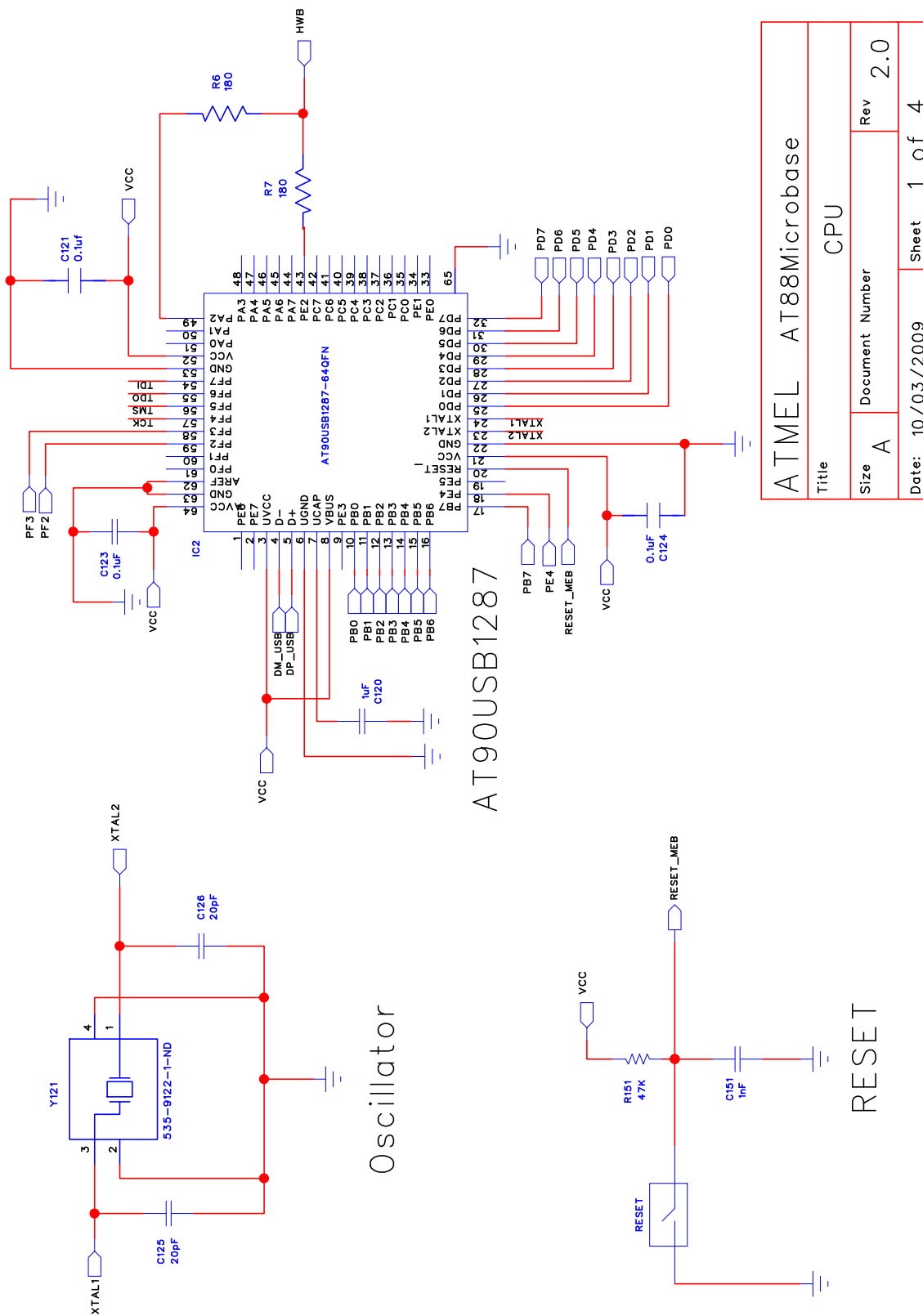
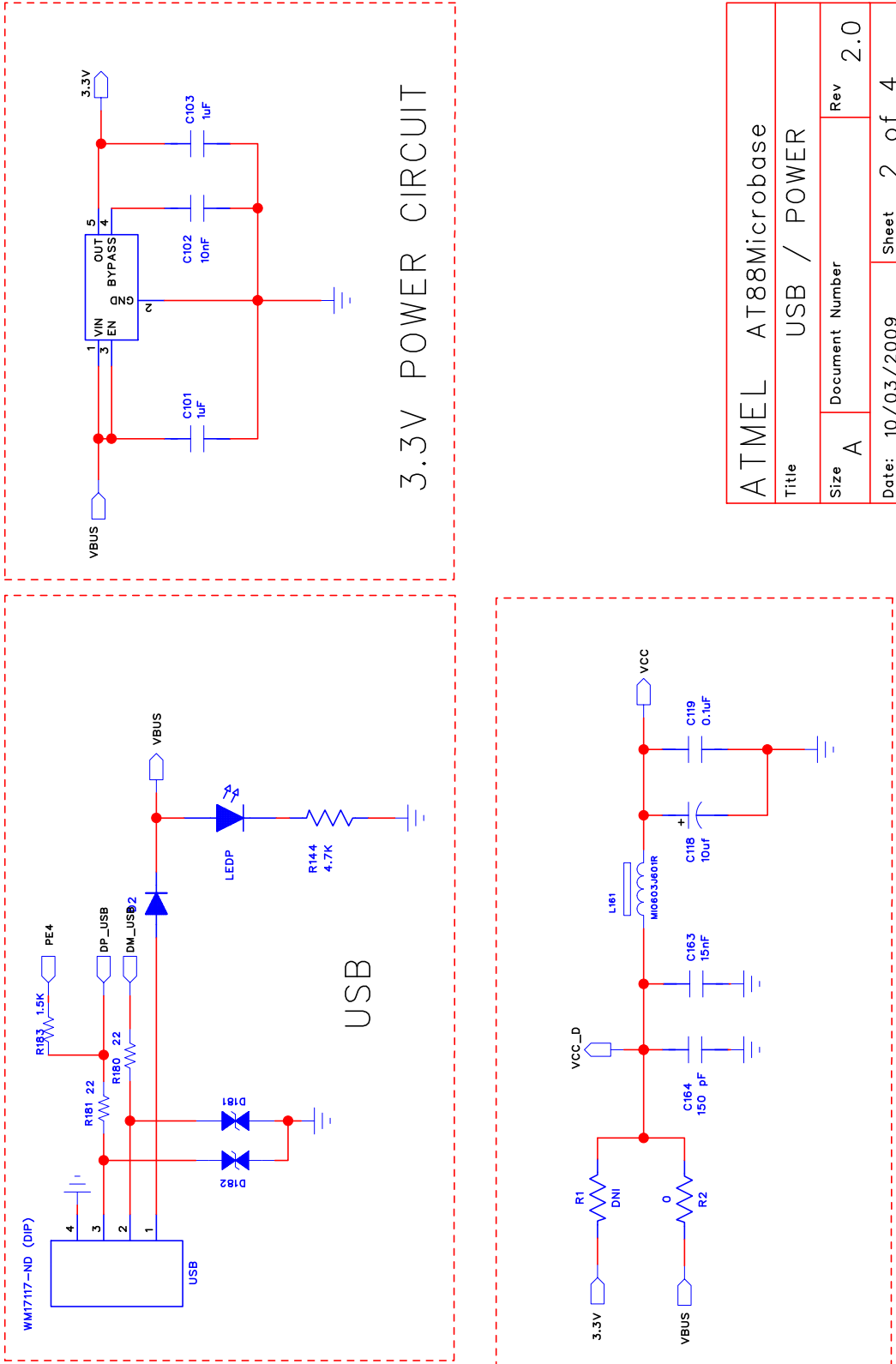


Figure 1. AT88Microbase Schematic, 1 of 4



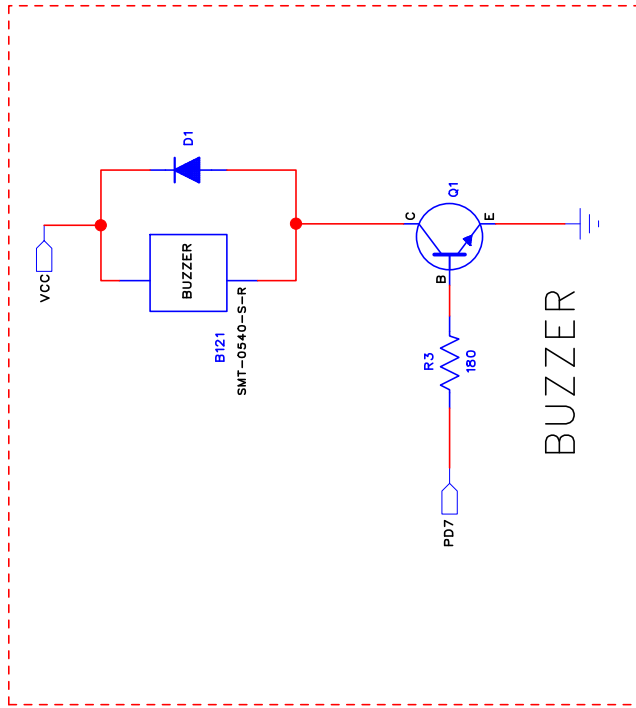
ATMEL AT88Microbase	
Title CPU	
Size A	Document Number Rev 2.0
Date: 10/03/2009	Sheet 1 of 4

Figure 2. AT88Microbase Schematic, 2 of 4

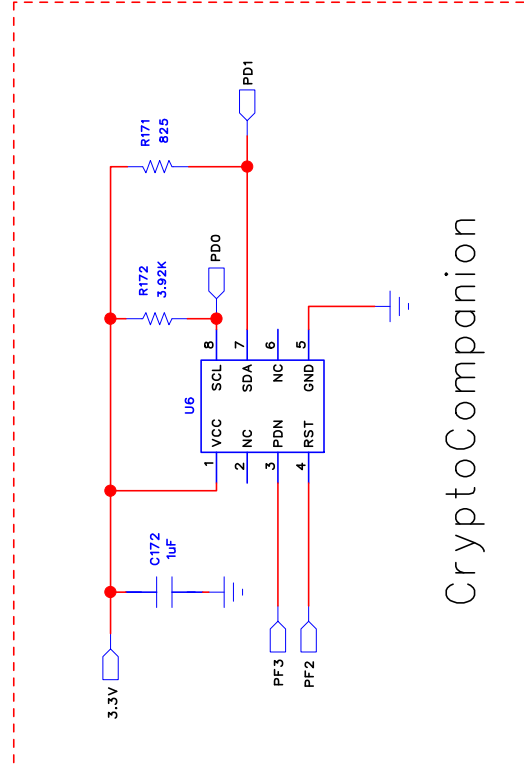
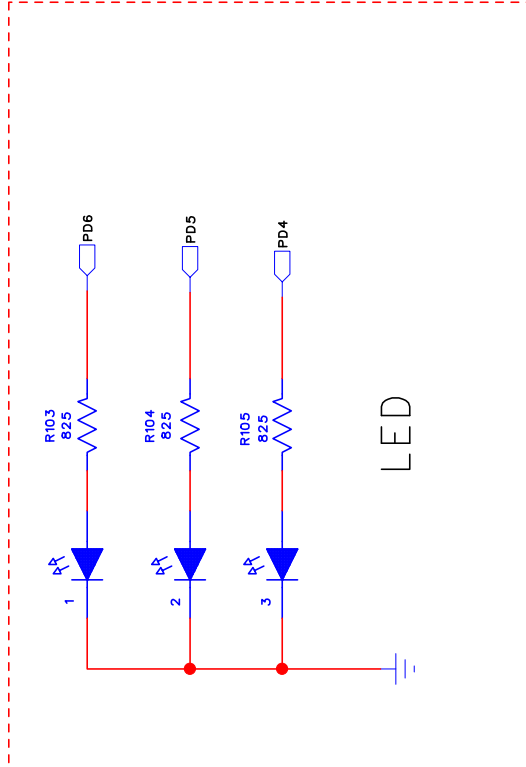


ATMEL AT88Microbase	
Title USB / POWER	
Size A	Document Number
Date: 10/03/2009	Rev 2.0
Sheet 2	of 4

Figure 3. AT88Microbase Schematic, 3 of 4

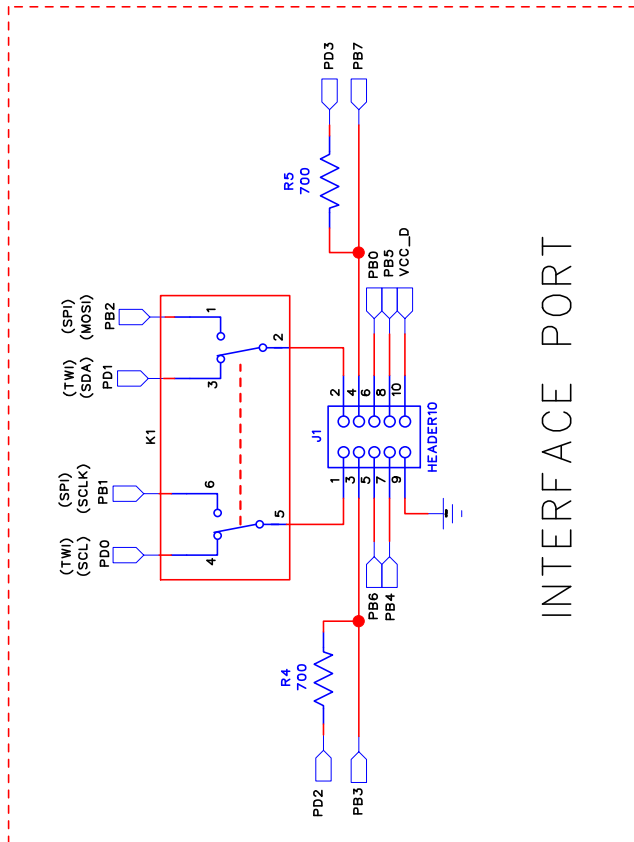
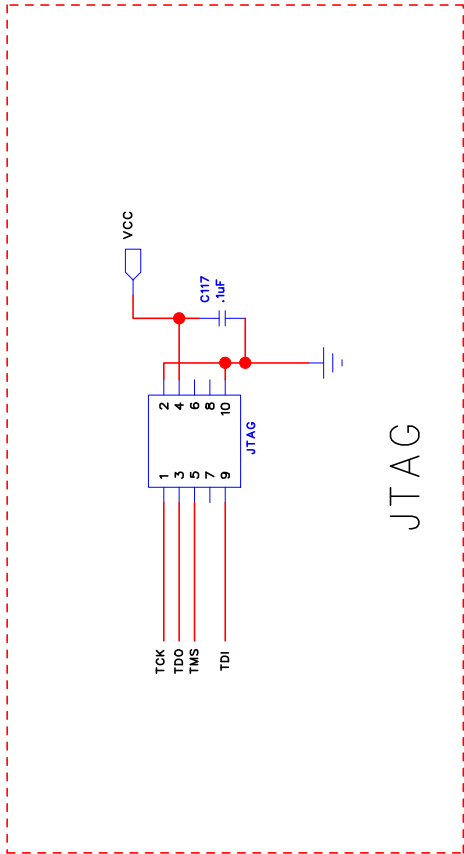
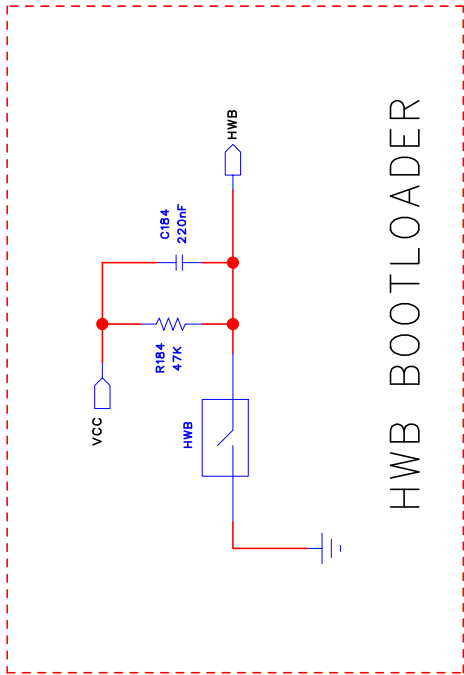


ATMEL AT88Microbase	
Title	Peripherals
Size A	Document Number
Rev 2.0	Rev
Date: 10/03/2009	Sheet 3 of 4



CryptoCompanion

Figure 4. AT88Microbase Schematic, 4 of 4



ATMEL AT88Microbase	
Title PROGRAMMING / INTERFACE	
Size A	Document Number Rev 2.0
Date: 10/03/2009	Sheet 4 of 4

Figure 5. AT88Microbase Layout, Layer 1 of 4

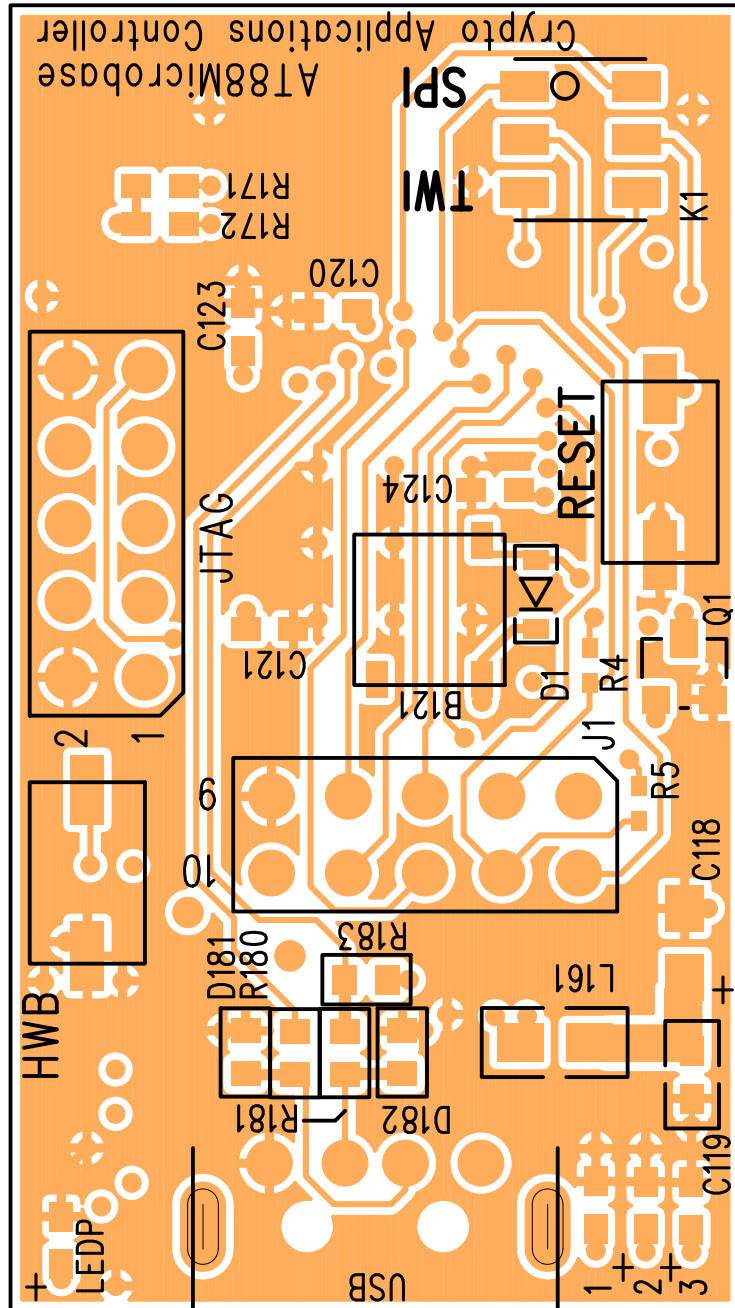


Figure 6. AT88Microbase Layout, Layer 2 of 4

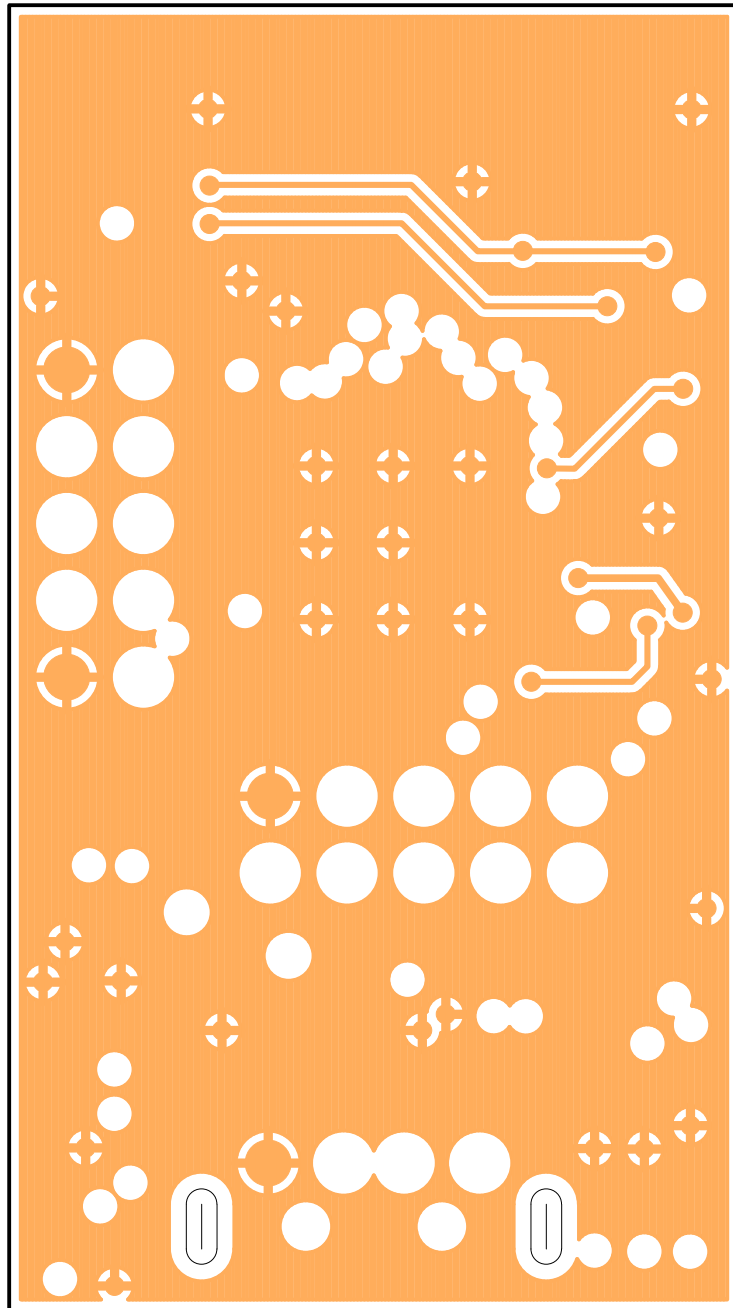


Figure 7. AT88Microbase Layout, Layer 3 of 4

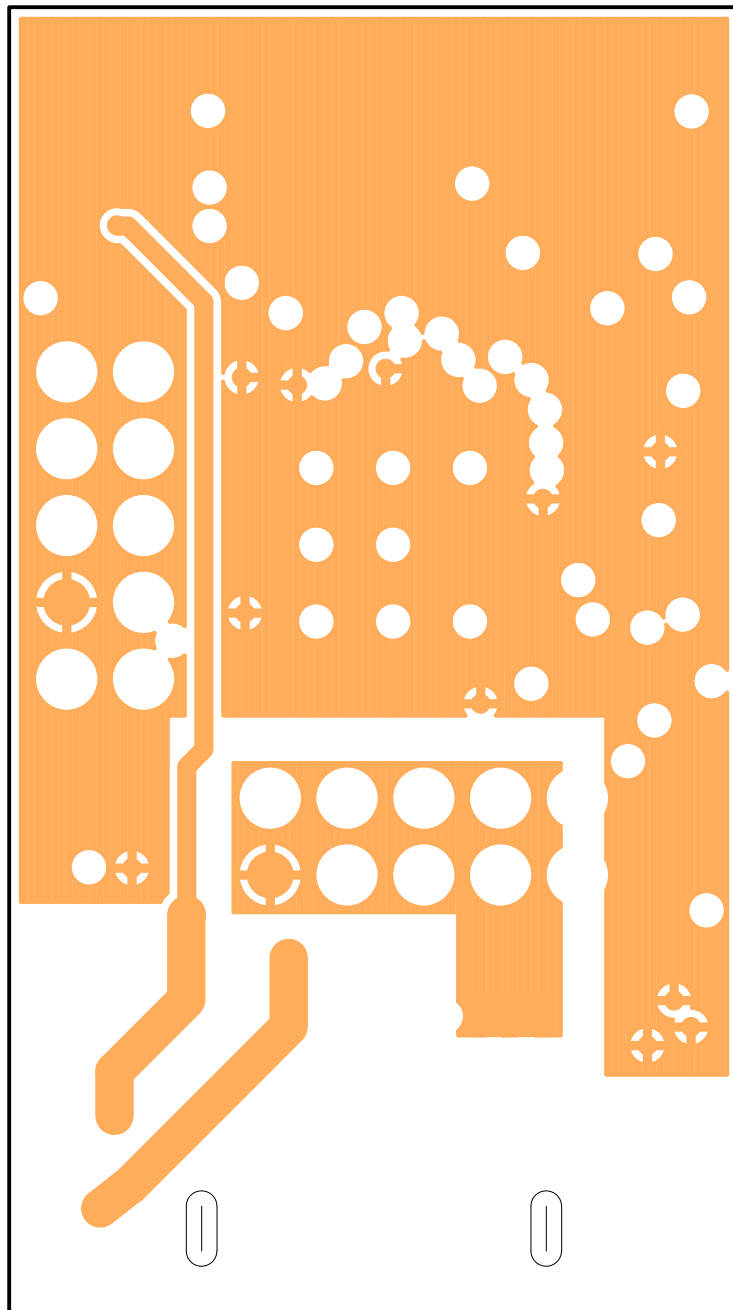


Figure 8. AT88Microbase Layout, Layer 4 of 4

