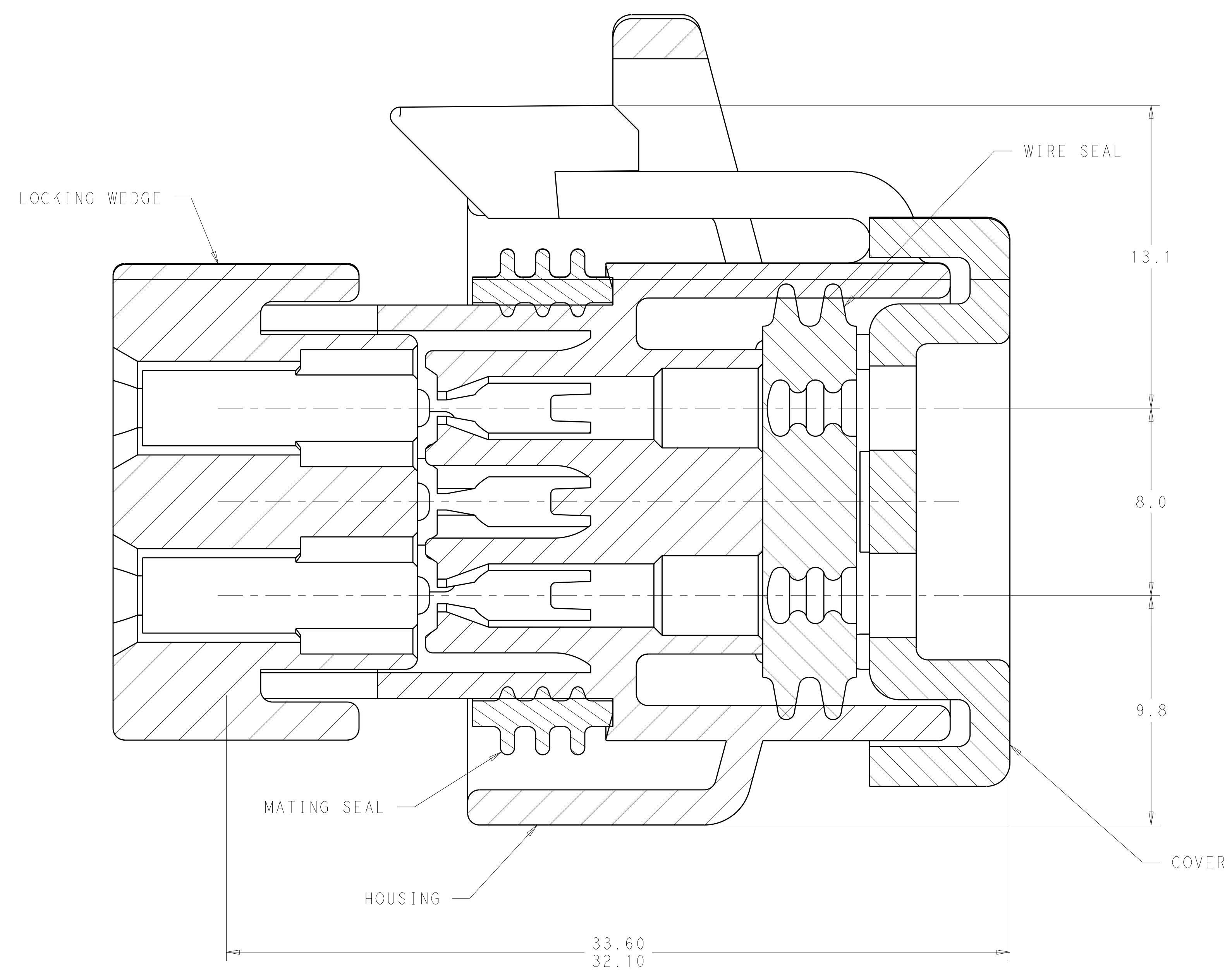
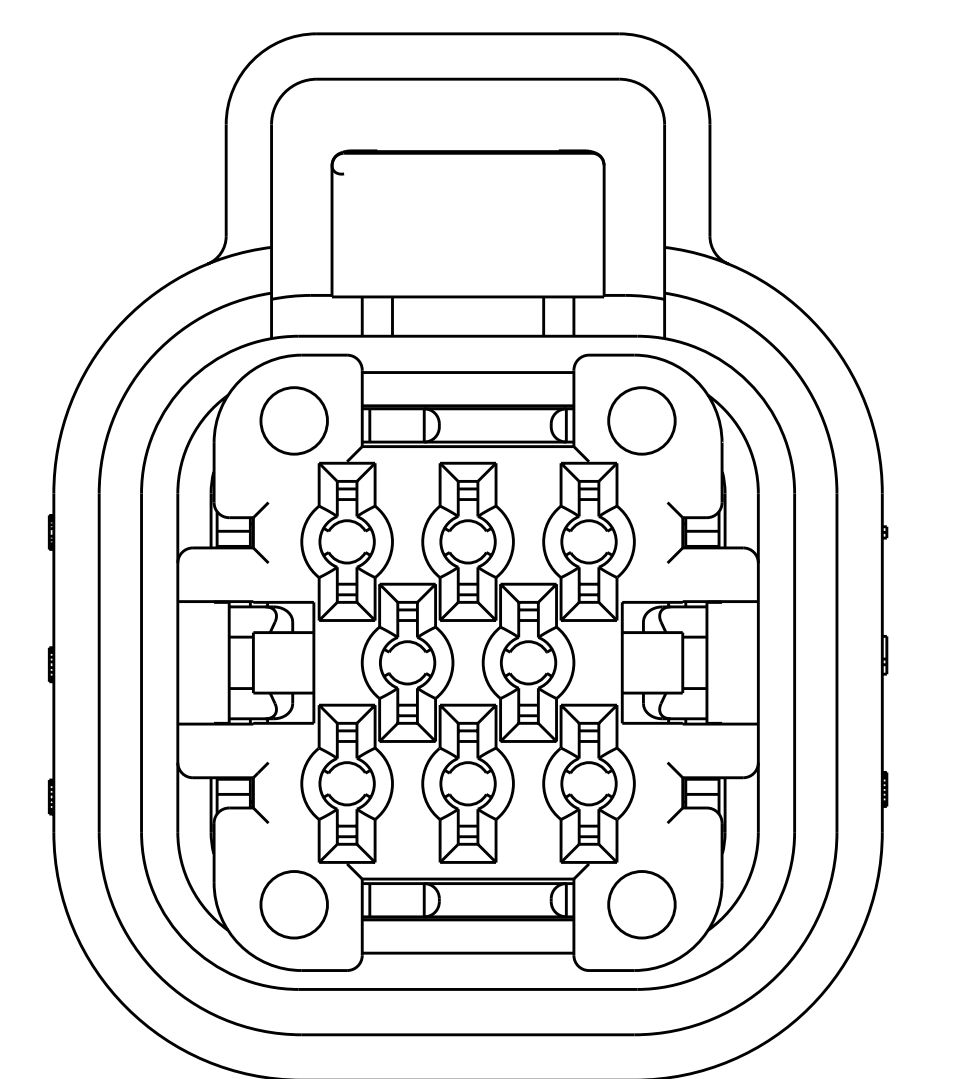
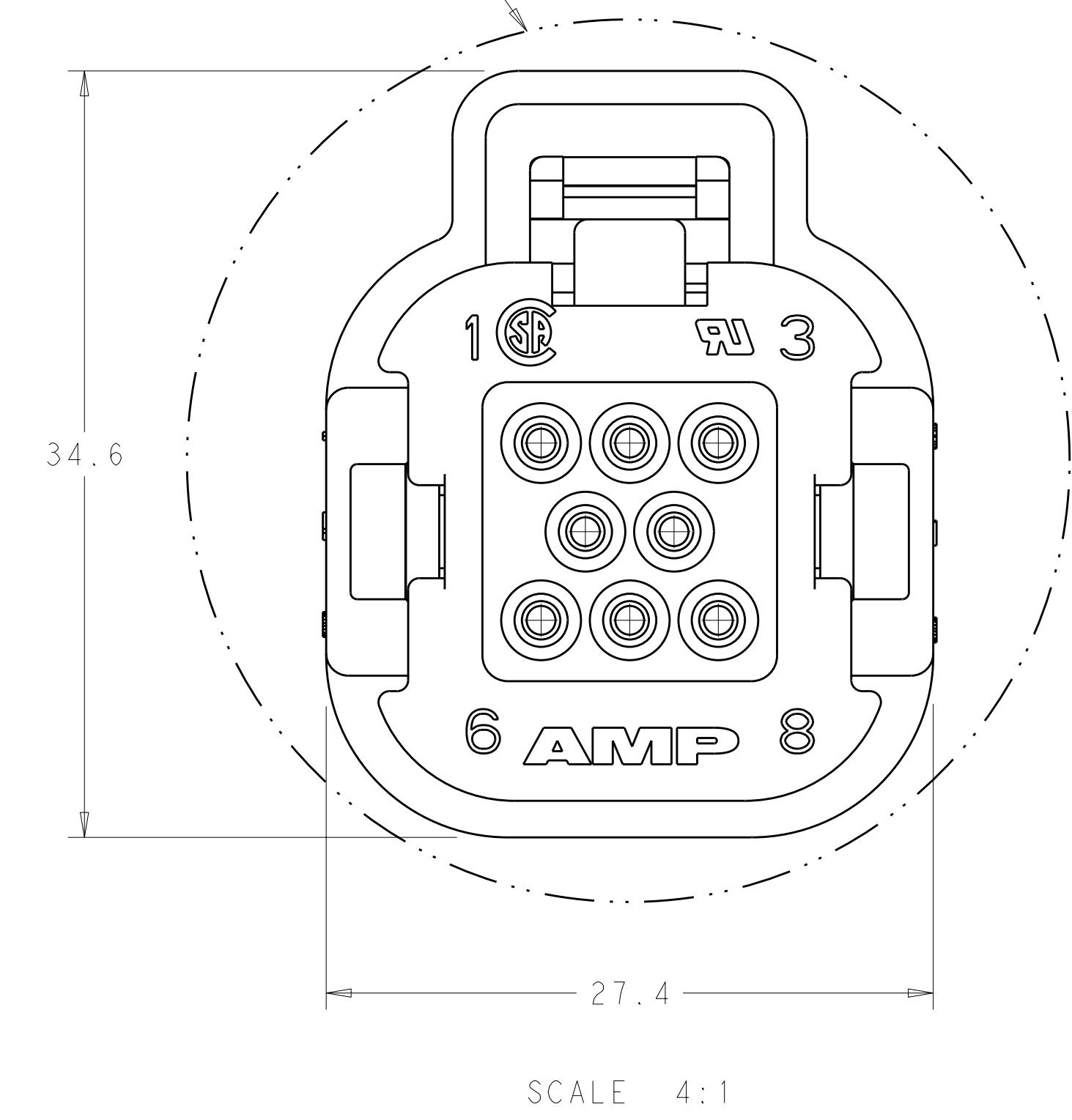


LOC	DIST	REV	DATE	BY	CHK	APPV
HK	00					
REVISIONS						
D2		REVISED PER ECO-11-005264	22MAR2011	DLD	DCS	
E		REVISED PER ECO-11-010900	31MAY2011	DLD	DCS	

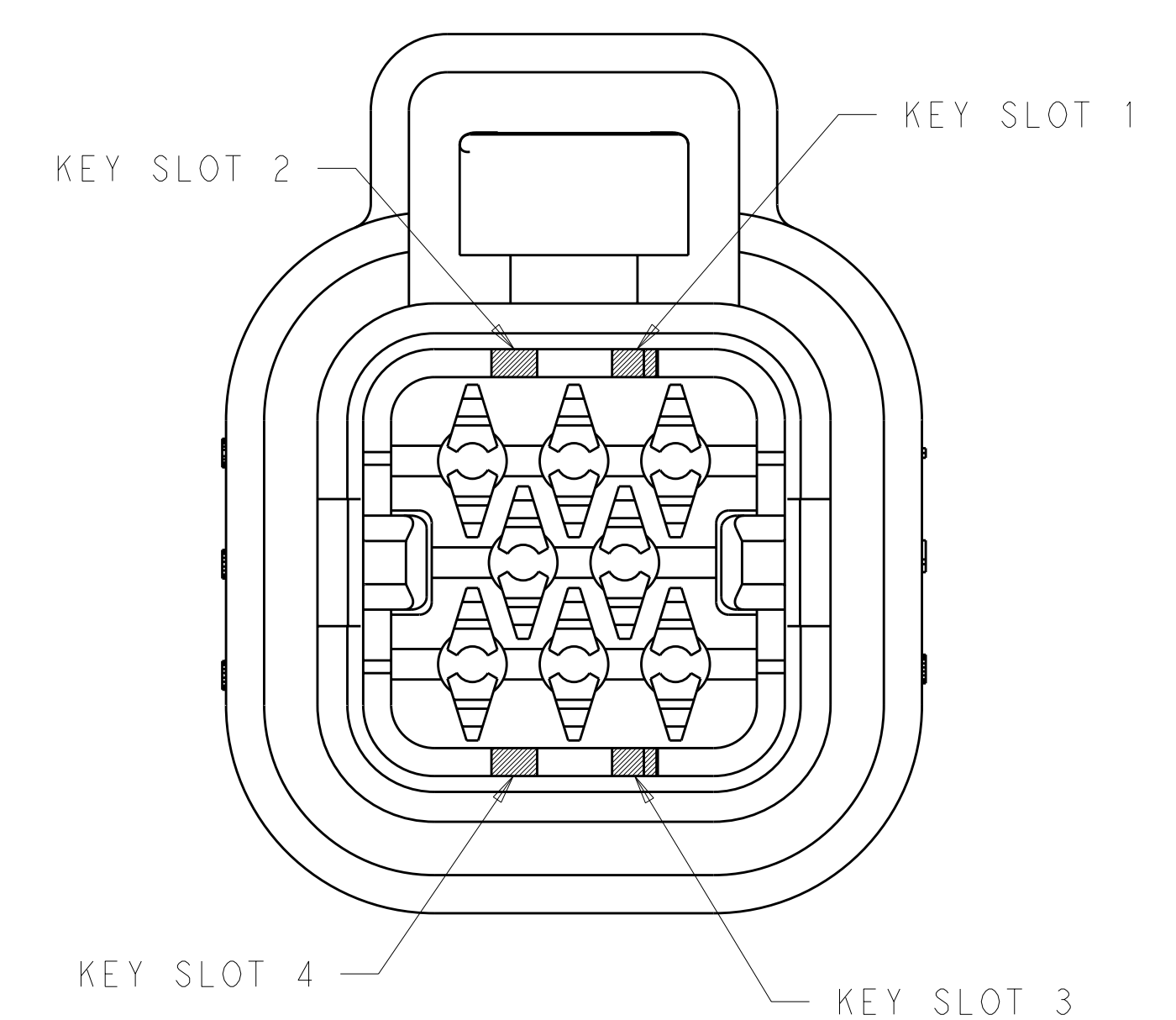


ASSEMBLY WILL PASS THRU Ø66 OPENING

⚠ HOUSING COLORS ARE MECHANICALLY KEYED TO MATE WITH IDENTICALLY COLORED HEADER ASSEMBLIES.



BOTTOM VIEW WITH LOCKING WEDGE  
SCALE 4:1



KEY SLOT LOCATIONS  
SCALE 4:1

1 & 3	776286-2
2 & 4	776286-1
KEY SLOT LOCATION (SEE VIEW ABOVE)	PART NUMBER

GLASS FILLED PBT, BLACK	SILICONE RUBBER, YELLOW	SILICONE RUBBER, YELLOW	PBT, RED	PBT, NATURAL	776286-2
				PBT, BLACK	776286-1
COVER	WIRE SEAL	MATING SEAL	LOCKING WEDGE	HOUSING	PART NUMBER
THIS DRAWING IS A CONTROLLED DOCUMENT.			DWN R. VESTAL 08SEP2009 CHK D. STRAUSSER 08SEP2009 APPV D. STRAUSSER 08SEP2009 NAME PRODUCT SPEC 108-1329 APPLICATION SPEC 114-16016 WEIGHT CUSTOMER DRAWING		
DIMENSIONS: mm		TOLERANCES UNLESS OTHERWISE SPECIFIED:		SIZE CAGE CODE DRAWING NO. RESTRICTED TO A100779C-776286	
9 PLC ± 1 PLC ±0.2 2 PLC ± 3 PLC ± 4 PLC ± ANGLES ±		FINISH SEE TABLE		SCALE 8:1 SHEET 1 OF 1 REV E	