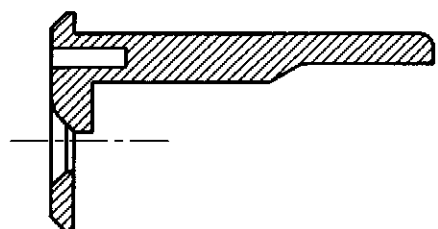
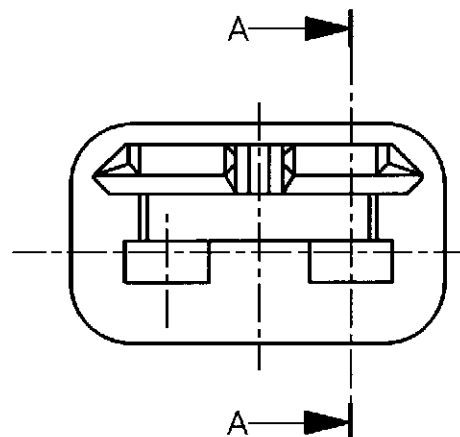
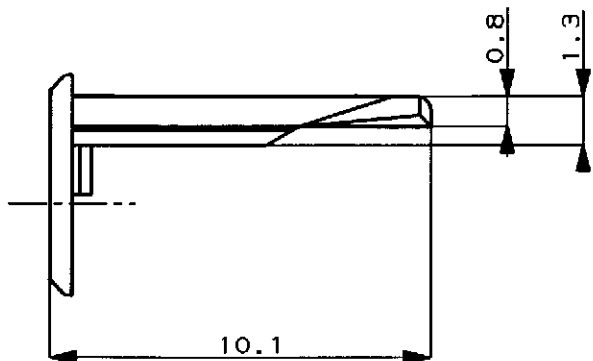
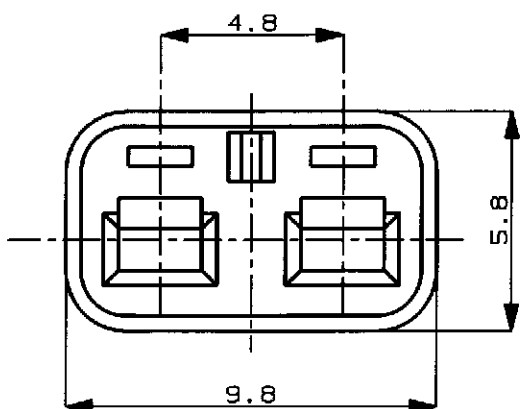
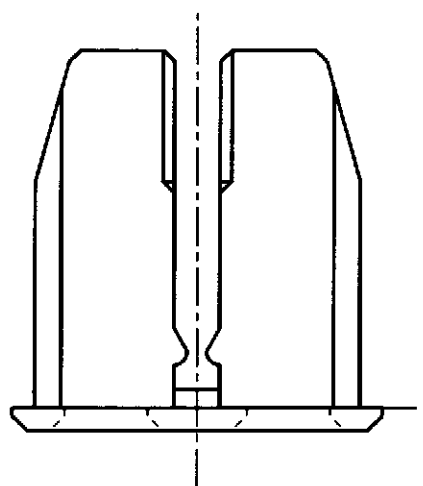


NUMBER C-174353



METRIC



SECTION 断面 A-A

注 :

- 1. 本品はプラグハウジングP/N174352に装着される

NOTE ;

- 1. TO BE MATED WITH PLUG HOUSING (P/N174352)

PBT	(NATURAL) 自然色	1-174353-1
PBT, 難燃材	(YELLOW) 黄	174353-7
MATERIAL 材料	HOUSING COLOR ハウジング色	P/N

© 19 BY AMP (Japan) LTD.
ALL RIGHTS RESERVED.
AMP PRODUCTS COVERED BY PATENTS
AND OR PATENTS PENDING

AMP

AMP (JAPAN), LTD.
Tokyo, Japan

				WIRE RANGE mm ² (AWG)		INSULATION DIA mmφ		NAME 2P. ECONOSEAL J-MARK II ⁺ CONNECTOR 2極 エコノシール J マーク II ⁺ DOUBLE LOCK PLATE FOR PLUG HOUSING プラグ用ダブルロックプレート			
C	REVISED	FJ00-0601-98	AY	AG	3/18/98	MATERIAL SEE TABLE 表参照		COLOR SEE TABLE 表参照		GENERAL TOLERANCE	
B	ADDED	FJ00-3794-95	MT	AT	12/12/95	DR. K. Oda 8/19/87		DE. K. Oda 8/19/87		0<≦10 : ±0.2	SIZE A3
A	変更REVISED	(J-10812)	KO	YM	5/29/89	CHK. M. Nishizaki 8/24/87		APP. M. Nishizaki 8/25/87		10<≦30 : ±0.25	LOC J
O	作成RELEASED		KO	YM	8/24/87					30<≦100 : ±0.3	NUMBER C-174353
LTR	REVISION RECORD		DR	CHK	DATE					ANGLES : ±3°	SCALE 5:1
REV. C											
										SHEET 1 OF 1	

DIMENSIONS IN MILLIMETERS. DO NOT SCALE PRINT

PRINT DIST